

Temperature switch, 0-100°C, 4-20mA, G1/4



SRTH600-206-2301 Electronic Temperature Switch

Features

- Simple installation
- Digital display
- 316L Stainless steel housing
- Integrated relay
- Fast response
- High accuracy
- Long-term stability

Applications

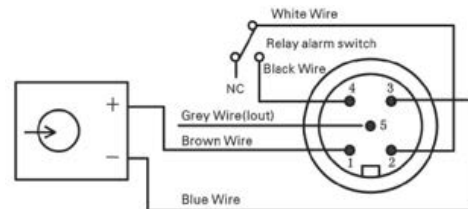
- Pipelines
- Ventilation systems
- Hydraulic and pneumatic systems
- Cooling and heating systems
- Water treatment
- HVAC systems
- Automation systems

Description

The L-com SRTH600-206 series of electronic temperature switches feature a sensitive platinum resistance element, encapsulated in a 316L stainless steel probe. Once a preset temperature limit is reached, the integrated output relay is activated. High corrosion resistance means compatibility with both gas and liquids. These rugged sensors are well suited for use in factory automation, and applications where control of a process set point or activating an output at a specific temperature is necessary. The L-com SRTH600 series is part of the IoT portfolio of products available from L-com, in-stock and ready to ship. Contact our knowledgeable technical support and sales staff for more information on this, and other IoT products from L-com.

General Specifications

Application:	Temperature Switch
Mounting:	G1/4 fitting
Electric Connector:	flying leads
Process Connection Gender:	Male
Sensing Element:	PT100
Output Signal:	4-20mA
Cable Length:	1 m



Description	Minimum	Typical	Maximum	Unit
Accuracy (Temperature)		±0.5		%
Long Term Stability		±0.1		% FS/yr
Temperature Range	0		100	deg C
Pressure Resistance		300		bar

Click the following link (or enter part number in "SEARCH" on website) to obtain additional part information including price, inventory and certifications:
[Temperature switch, 0-100°C, 4-20mA, G1/4 SRTH600-206-2301](#)

Temperature switch, 0-100°C, 4-20mA, G1/4



SRTH600-206-2301 Electronic Temperature Switch

Electrical Specifications

Description	Minimum	Typical	Maximum	Unit
Power Supply Voltage	12	24	30	VDC

Material Specifications

Description	Material
Casing	Stainless Steel 316L
Probe Material	Stainless Steel 316L
Cable Material	PVC

Environmental Specifications

Temperature (Operating)	-20deg C to 85deg C
Temperature (Storage)	-20deg C to 85deg C
Impact	100g, 11ms
Ingress Protection	IP65

Certifications

ROHS Compliant
CE Compliant

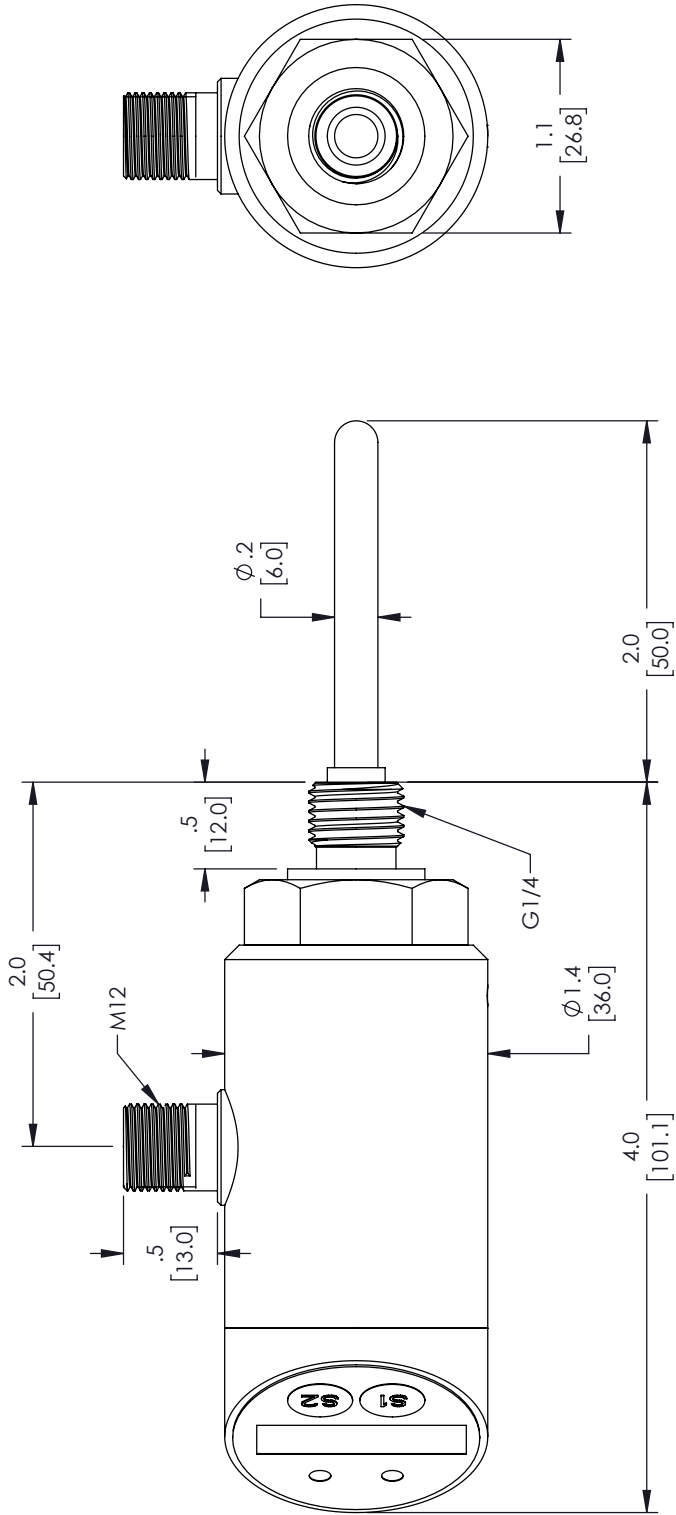
The Infinite Electronics portfolio includes coaxial cable assemblies, connectors, adapters and custom products, as well as our wireless product line which includes antennas, RF amplifiers, lightning and surge protectors, and NEMA rated enclosures.

The information contained in this document is accurate to the best of our knowledge and representative of the part described herein. It may be necessary to make modifications to the part and/or the documentation of the part, in order to implement improvements. L-com reserves the right to make such changes as required. Unless otherwise stated, all specifications are nominal. L-com does not make any representation or warranty regarding the suitability of the part described herein for any particular purpose, and L-com does not assume any liability arising out of the use of any part or documentation.

SRTH600-206-2301 CAD Drawing

Temperature switch, 0-100°C, 4-20mA, G1/4

REVISIONS			
REV.	DESCRIPTION	DATE	APPROVED
A	INITIAL RELEASE	3/29/22	THOUGHTON



NOTES:
 1. COMPONENT SHALL BE INDIVIDUALLY PACKAGED IN ACCORDANCE WITH L-COM SPECIFICATION PS-0031.

REGULATORY COMPLIANCE:
 EU RoHS DIRECTIVE (MOST RECENT RELEASED VERSION)

THESE COMMODITIES, TECHNOLOGY OR SOFTWARE WERE EXPORTED FROM THE UNITED STATES IN ACCORDANCE WITH THE EXPORT ADMINISTRATION REGULATIONS. DIVERSION CONTRARY TO U.S. LAW PROHIBITED.

<p>L-comTM an INFINIT@ brand 50 High Street, West Mill, 3rd Floor, Suite #30 North Andover, MA 01845 USA Phone: 1.800.341.5266 1.978.682.6936 Fax: 1.978.689.9484 Website: www.L-com.com E-mail: CustomerService@L-com.com</p>	<p>THIRD-ANGLE PROJECTION</p> <p>THE INFORMATION AND DESIGN IN THIS DOCUMENT IS THE PROPERTY OF L-COM GLOBAL CONNECTIVITY. ALL RIGHTS RESERVED.</p> <p>SHEET 1 OF 1</p> <p>SCALE N/A</p>
<p>UNLESS OTHERWISE SPECIFIED LEADING DIMENSIONS ARE INCHES DIMENSIONS IN [] ARE MILLIMETERS</p> <p>TOLERANCES:</p> <p>X = +.2 [5.08] FRACTIONS XX = +.02 [.51] +.132 XXX = ±.005 [.13] ANGLES ± 1°</p> <p>CABLE LENGTH (L) TOLERANCES:</p> <p>L ≤ 12 [305] = +1 [25] / -0 12 [305] < L ≤ 60 [1524] = +2 [51] / -0 60 [1524] < L ≤ 120 [3048] = +4 [102] / -0 120 [3048] < L ≤ 300 [7620] = +8 [152] / -0 300 [7620] < L = +5%L / -0</p> <p>ALL DIMENSIONS SHOWN ARE FOR REFERENCE ONLY.</p>	<p>ITEM NO. SRTH600-206-2301</p> <p>REV A</p> <p>SCALE N/A</p> <p>SHEET 1 OF 1</p>