



A variable transformer is an efficient and trouble free method of varying AC voltages

The output voltage is varied by rotating a carbon tipped brush arm along a silver plated commutator, either manually or by means of a motor drive

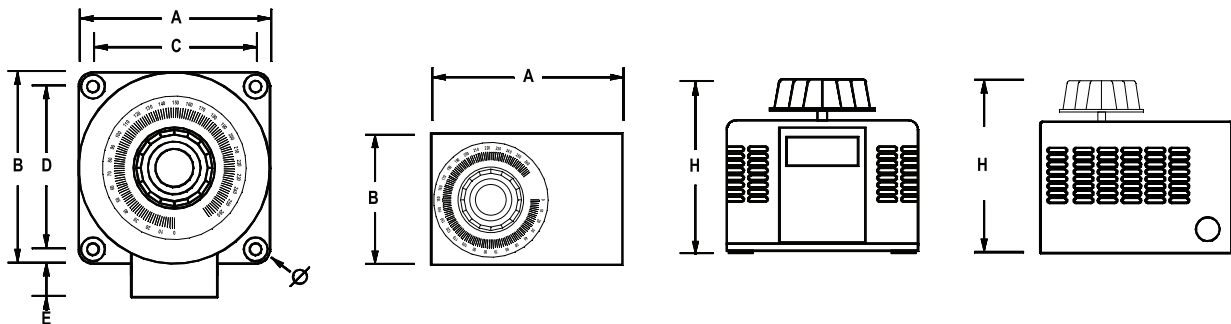
The voltage output can be varied from zero up to line voltage

The variable transformers are available in single and three phase construction. Both open type or housed in a metal enclosure. The single phase variables are also available in a popular encapsulated style

## Features:

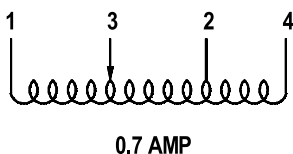
- No distortion of waveform
- Negligible maintenance
- Overload capacity
- Low magnetising current
- Smooth linear output
- High efficiency / excellent regulation
- Low operating torque

## Single Phase Enclosed Type

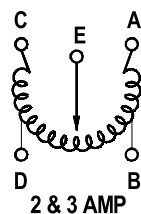


## Connection Arrangement

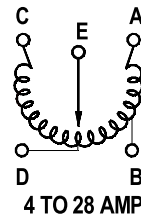
4 TO 28 AMP UNITS  
 INPUT : 240V 1 Ph 50/60Hz AT 1-2 OR 1-4  
 OUTPUT : 0-270V OR 0-240 AT 1-3



INPUT 240 V AT C-A OR C-B  
 OUTPUT 0-240 OR 0-270 AT C-E

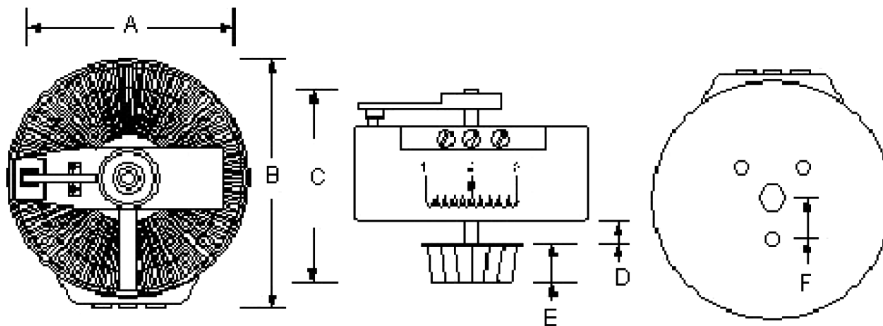


INPUT 240 V AT C-A OR C-B  
 OUTPUT 0-240 OR 0-270 AT C-E



## Specifications Table

Description	Rating Amps	Dimension (mm)							Weight (kg)	Part Number
		A	B	C	D	E	H	Ø		
Variable Voltage Transformer	0.7	160	130	NA	NA	NA	160	NA	3	MCCMV 0.7E-1
	2								3.8	MCCMV 2E-1
	3								4.5	MCCMV 3E-1
	5	175	175	146	146	35	170	10	8.7	MCCMV 5E-1
	8								8.7	MCCMV 8E-1
	10								9.2	MCCMV 10E-1
	15	225	225	176	176	40	190	11	16	MCCMV 15E-1
	20								18	MCCMV 20E-1
	28								26	MCCMV 28E-1



## Specifications Table

Description	Rating Amps	Dimension (mm)							Weight (kg)	Part Number
		A	B	C	D	E	F	Ø		
Variable Voltage Transformer	1	86	100	105	6	30	15	M3	1.75	MCCMV 1X-1
	1.5	113	130	127					2.75	MCCMV 1.5X-1
	2			3.25					MCCMV 2X-1	
	4	165	165	120			22.5	M6	6.5	MCCMV 4X-1
	6			125					7.5	MCCMV 6X-1
	8			140					8.5	MCCMV 8X-1

## Portable Unit



### Features:

- 230 / 240V single phase input
- 13A output socket to BS1363A
- Output voltage range 115% of input
- Voltmeter and ammeter
- Power on indication lamp
- Input & output fuse protection
- 1m 3-core input cable with BS1363A plug
- Size : (L) 210 × (B) 200 × (H) 270mm
- 3mm × 4mm shrouded output test sockets
- Output on/off switch and control knob

## Specifications Table

Description	Output Current (A)	Part Number
Variable Voltage Transformer	5	MCCMCTV5
	10	MCCMCTV10

## Benchtop Supply



### Features:

- 230 / 240V single phase input
- 13A output socket to BS1363A
- Output voltage range 112% of input
- Integral safety mains tester
- Illuminated power on/off switch
- Output on/off switch and control knob
- 1m 3-core input cable with BS1363A plug
- Output protection fuse

## Specifications Table

Description	Output Current (A)	Part Number
Variable Voltage Transformer	5	MCCMSE 5
	10	MCCMSE 10

**Important Notice :** This data sheet and its contents (the "Information") belong to the members of the AVNET group of companies (the "Group") or are licensed to it. No licence is granted for the use of it other than for information purposes in connection with the products to which it relates. No licence of any intellectual property rights is granted. The Information is subject to change without notice and replaces all data sheets previously supplied. The Information supplied is believed to be accurate but the Group assumes no responsibility for its accuracy or completeness, any error in or omission from it or for any use made of it. Users of this data sheet should check for themselves the Information and the suitability of the products for their purpose and not make any assumptions based on information included or omitted. Liability for loss or damage resulting from any reliance on the Information or use of it (including liability resulting from negligence or where the Group was aware of the possibility of such loss or damage arising) is excluded. This will not operate to limit or restrict the Group's liability for death or personal injury resulting from its negligence. Multicomp Pro is the registered trademark of Premier Farnell Limited 2019.