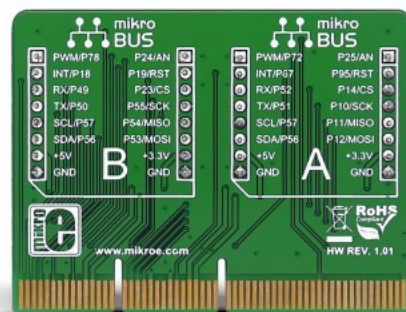
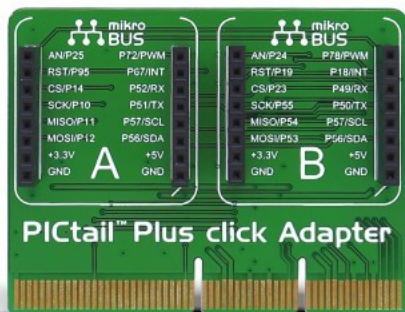


## PICtail™ Plus Click Adapter



PID: MIKROE-2578

**PICtail™ Plus Click Adapter** allows you to add click boards™ on the Explorer 16 Development Board from Microchip. It's an adapter with two mikroBUS™ sockets for click board connectivity.

Mikroe produces entire development toolchains for all major microcontroller architectures.

Committed to excellency, we are dedicated to helping engineers bring the project development up to speed and achieve outstanding results.



ISO 27001: 2013 certification of informational security management system.  
 ISO 14001: 2015 certification of environmental management system.  
 OHSAS 18001: 2008 certification of occupational health and safety management system.



ISO 9001: 2015 certification of quality management system (QMS).

## Specifications

Type	Shield
Applications	An adapter with two mikroBUS™ sockets for the Explorer 16 development board from Microchip
On-board modules	two mikroBUS™ sockets

## Resources

[mikroBUS™](#)

[Click board™ Catalog](#)

[Click Boards™](#)

## Downloads

[PICtail™ Plus click Adapter schematic](#)

Mikroe produces entire development toolchains for all major microcontroller architectures.

Committed to excellency, we are dedicated to helping engineers bring the project development up to speed and achieve outstanding results.



ISO 27001: 2013 certification of informational security management system.  
 ISO 14001: 2015 certification of environmental management system.  
 OHSAS 18001: 2008 certification of occupational health and safety management system.



ISO 9001: 2015 certification of quality management system (QMS).