



**Product Change Notification / CENO-17EGOL207**

---

**Date:**

08-Aug-2022

**Product Category:**

Memory

**PCN Type:**

Manufacturing Change

**Notification Subject:**

CCB 5097 Final Notice: Qualification of MTAI as an additional final test site for selected SST39SF040, SST39SF020A and SST39SF010A device families available in 32L PLCC (11.5x14x3.37mm) package.

**Affected CPNs:**

[CENO-17EGOL207\\_Affected\\_CPN\\_08082022.pdf](#)  
[CENO-17EGOL207\\_Affected\\_CPN\\_08082022.csv](#)

**Notification Text:**

**PCN Status:**Final Notification

**PCN Type:**Manufacturing Change

**Microchip Parts Affected:**Please open one of the files found in the Affected CPNs section.  
Note: For your convenience Microchip includes identical files in two formats (.pdf and .xls)

**Description of Change:**Qualification of MTAI as an additional final test site for selected SST39SF040, SST39SF020A and SST39SF010A device families available in 32L PLCC (11.5x14x3.37mm) package.

**Pre and Post Change Summary:**

	PRE CHANGE	POST CHANGE

Final Test Site		King Yuan Electronics Company, Limited (KYE)	King Yuan Electronics Company, Limited (KYE)	Microchip Technology Thailand (HQ) (MTAI)
Base Quantity Multiple (BQM)	Tape and Reel	750	750	750
	Tube	30	30	30
Pin 1 Orientation	Tape and Reel	Quadrant 1 - 2	Quadrant 1 - 2	Quadrant 1 - 2
	Tube( <i>Note: Pre-change - Pin 1 orientation is depending on Assy location</i> )	Gray stopper - MMT Tube Colored stopper - LPI Tube Blue stopper – GTK Tube	Gray stopper - MMT Tube	Gray stopper – MMT Tube
Carrier tape		Minor dimensional changes. See pre and post change comparison.		
Cover Tape	Sealing Method	Heat Activated Seal	Heat Activated Seal	Heat Activated Seal
	Color	Transparent	Transparent	Clear
	Dimensions	Minor dimensional changes. See pre and post change comparison.		
Reel	Color	Regrind Blue	Regrind Blue	Dark Blue
	Dimensions	With dimensional changes. See pre and post change comparison.		
Tape and Reel Packing Method		See pre and post change comparison.		
Tube	Dimensions	With dimensional changes. See pre and post change comparison.		
	Color	Clear	Clear	Clear
Tube Packing Method		See pre and post change comparison		

**Impacts to Data Sheet:**None

**Change Impact:**None

**Reason for Change:**To improve manufacturability and on-time delivery performance by qualifying MTAI as an additional final test site.

**Change Implementation Status:**In Progress

**Estimated First Ship Date:**September 10, 2022 (date code: 2237)

Note: Please be advised that after the estimated first ship date customers may receive pre and post

change parts.

**Time Table Summary:**

	April 2022					>	August 2022					September 2022			
Workweek	1 4	1 5	1 6	1 7	1 8		32	3 3	3 4	3 5	3 6	37	38	39	40
Initial PCN Issue Date					X										
Qual Report Availability							X								
Final PCN Issue Date							X								
Estimated Implementation Date												X			

**Method to Identify Change:**Traceability code

**Qualification Report:**Please open the attachments included with this PCN labeled as PCN\_#\_Qual\_Report.

**Revision History:**April 25, 2022: Issued initial notification.

August 08, 2022: Issued final notification. Attached the qualification report and provided an estimated ship date to be on September 10, 2022. Updated post change of Pin 1 orientation.

The change described in this PCN does not alter Microchip’s current regulatory compliance regarding the material content of the applicable products.

**Attachments:**

[PCN\\_CENO-17EGOL207\\_Qual Report.pdf](#)

[PCN\\_CENO-17EGOL207\\_Pre\\_and\\_Post\\_Change\\_Summary.pdf](#)

Please contact your local **Microchip sales office** with questions or concerns regarding this notification.

**Terms and Conditions:**

If you wish to receive Microchip PCNs via email please register for our PCN email service at our **PCN**

[home page](#) select register then fill in the required fields. You will find instructions about registering for Microchips PCN email service in the [PCN FAQ](#) section.

If you wish to change your PCN profile, including opt out, please go to the [PCN home page](#) select login and sign into your myMicrochip account. Select a profile option from the left navigation bar and make the applicable selections.

Affected Catalog Part Numbers (CPN)

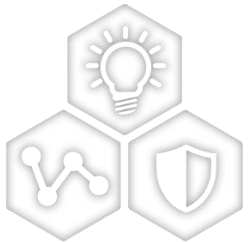
SST39SF040-55-4C-NHE  
SST39SF020A-55-4C-NHE  
SST39SF010A-55-4C-NHE  
SST39SF040-70-4C-NHE  
SST39SF020A-70-4C-NHE  
SST39SF010A-70-4C-NHE  
SST39SF040-55-4I-NHE  
SST39SF020A-55-4I-NHE  
SST39SF010A-55-4I-NHE  
SST39SF040-70-4I-NHE  
SST39SF020A-70-4I-NHE  
SST39SF010A-70-4I-NHE  
SST39SF040-55-4C-NHE-T  
SST39SF020A-55-4C-NHE-T  
SST39SF010A-55-4C-NHE-T  
SST39SF040-70-4C-NHE-T  
SST39SF020A-70-4C-NHE-T  
SST39SF010A-70-4C-NHE-T  
SST39SF040-55-4I-NHE-T  
SST39SF020A-55-4I-NHE-T  
SST39SF010A-55-4I-NHE-T  
SST39SF040-70-4I-NHE-T  
SST39SF020A-70-4I-NHE-T  
SST39SF010A-70-4I-NHE-T

**CCB 5097**  
**Pre and Post Change Summary**  
**PCN #: CENO-17EGOL207**



---

A Leading Provider of Smart, Connected and Secure Embedded Control Solutions

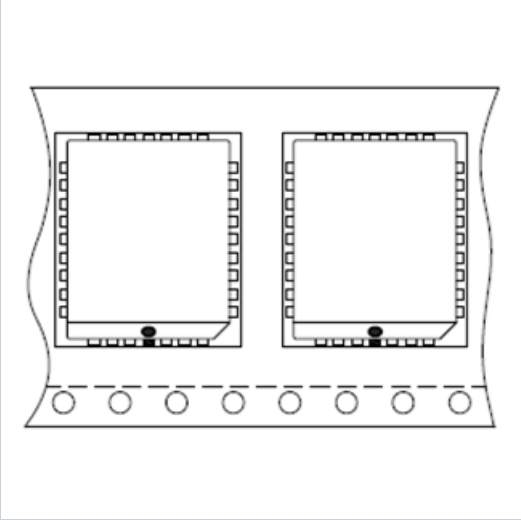
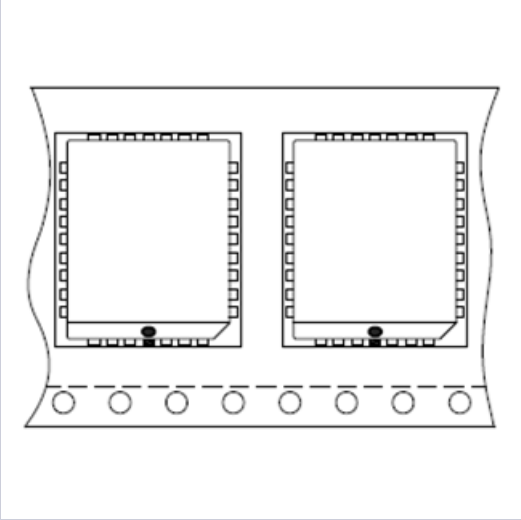


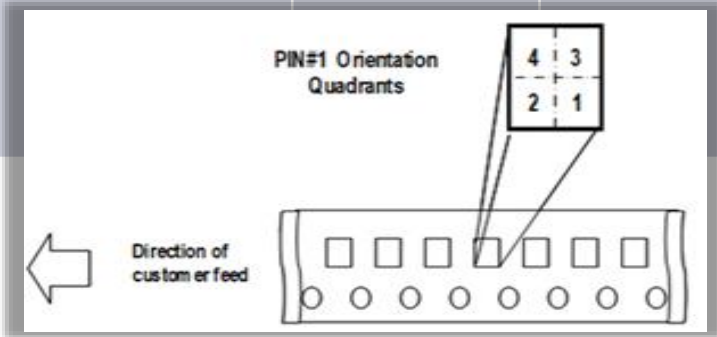
SMART | CONNECTED | SECURE

# Pre and Post Change Summary

		KYE	MTAI
<b>Scan/Pack Site</b>		King Yuan Electronics Company, Limited (KYE)	Microchip Technology Thailand (HQ) (MTAI)
<b>Base Quantity Multiple (BQM)</b>	<b>Tape and Reel</b>	No changes	
	<b>Tube</b>		

# Pre and Post Change Summary – Pin 1 Orientation

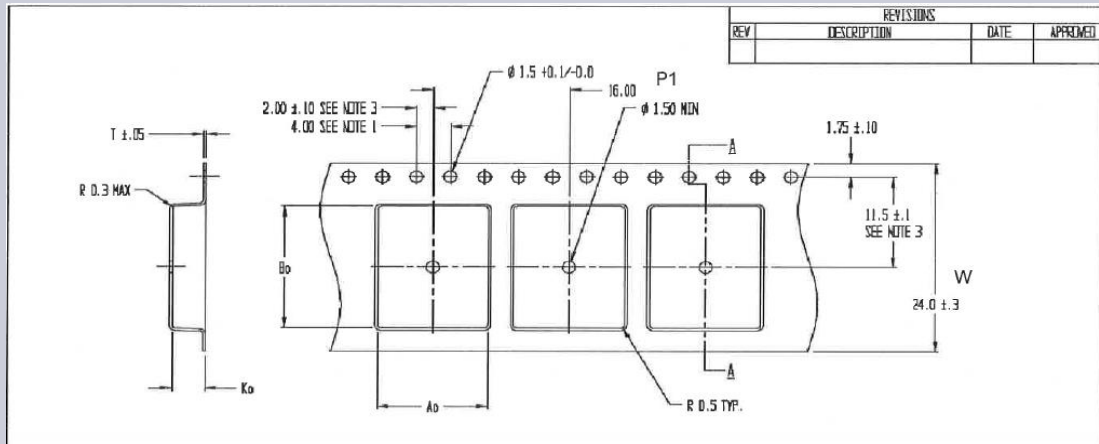
		KYE	MTAI
Pin 1 Orientation	Tape and Reel		
		Quadrant 1- 2	Quadrant 1- 2



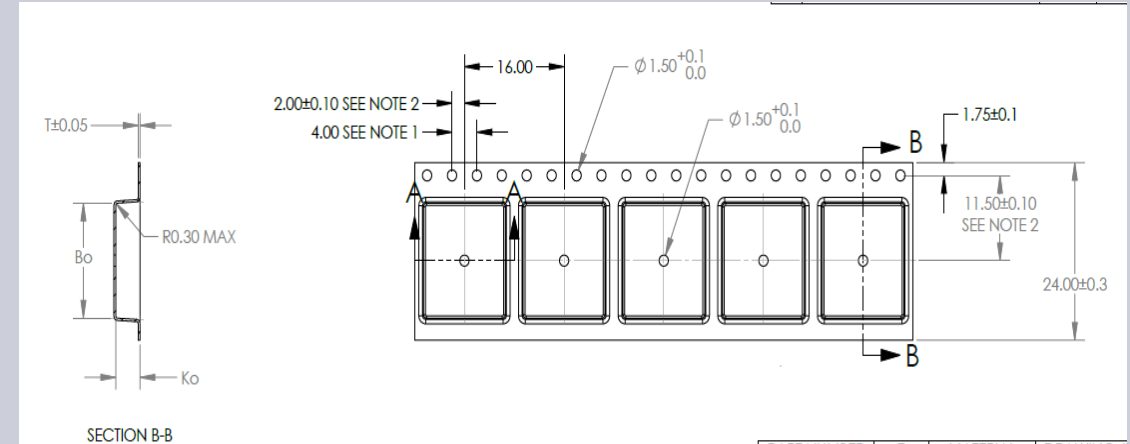


# Pre and Post Change Summary – Carrier Tape

## KYE



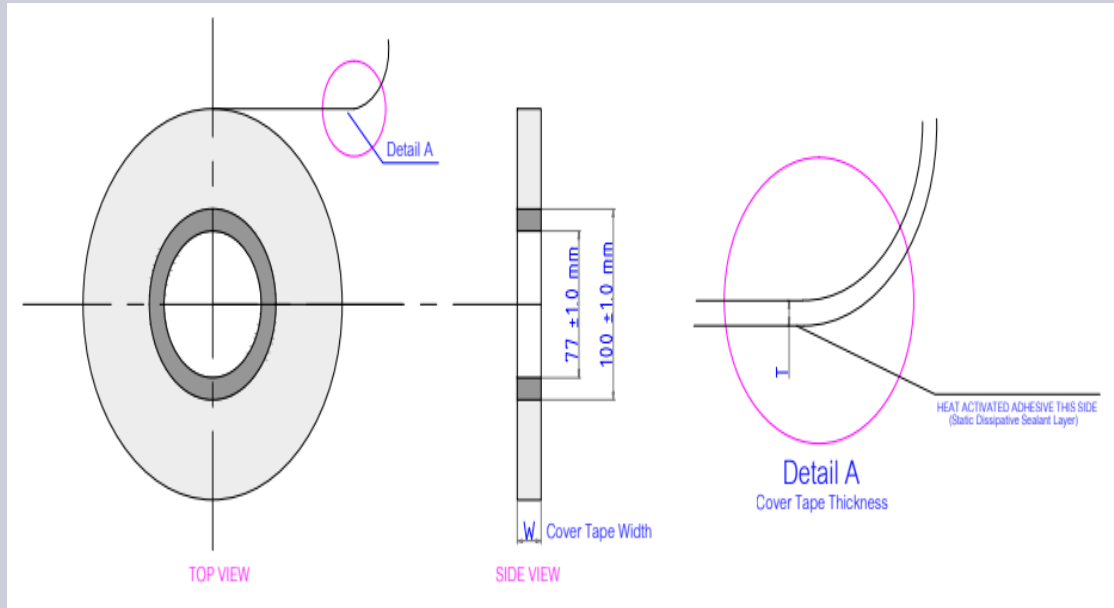
## MTAI



Scan / Pack Site	W (mm.)	P (mm.)	A0 (mm.)	B0 (mm.)	K0 (mm.)	K1 (mm.)	Thickness	BQM
MTAI	24.00 $\pm$ 0.30	16.00 $\pm$ 0.10	13.10 $\pm$ 0.10	15.50 $\pm$ 0.10	3.90 $\pm$ 0.10	-	0.30 $\pm$ 0.50	750
KYE	24.00 $\pm$ 0.30	16.00 $\pm$ 0.10	13.10 $\pm$ 0.10	15.50 $\pm$ 0.10	3.90 $\pm$ 0.10	-	0.30 $\pm$ 0.05	750

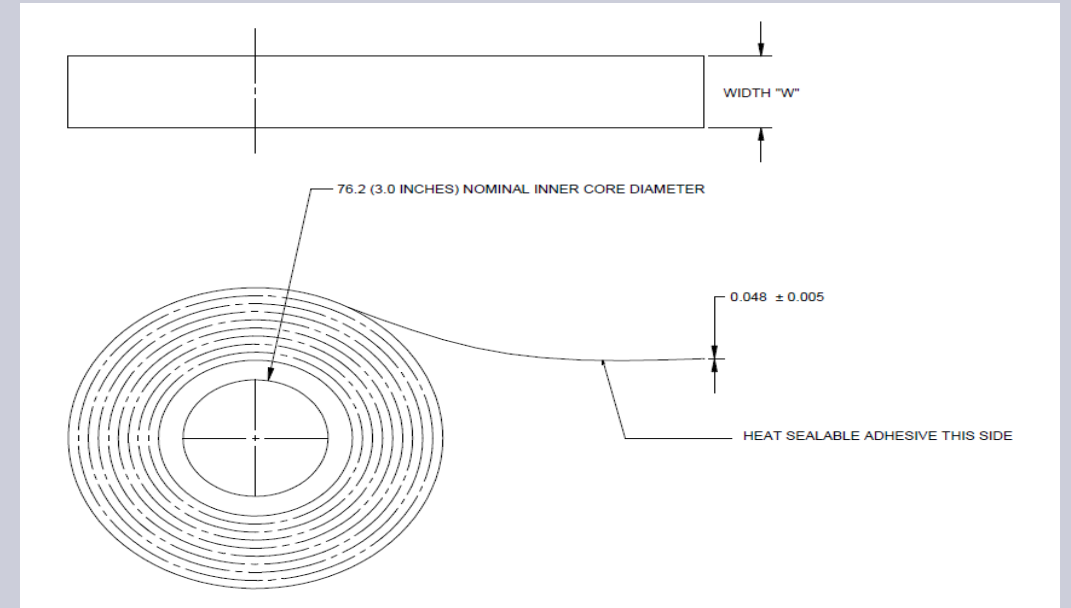
# Pre and Post Change Summary – Cover Tape

## KYE



Cover tape color	Width $\pm 0.1$ (mm)	Thickness $\pm 0.005$ (mm)	Sealing Methodology
Transparent	$21.3 \pm 0.1$	$0.048 \pm 0.005$	Heat Seal

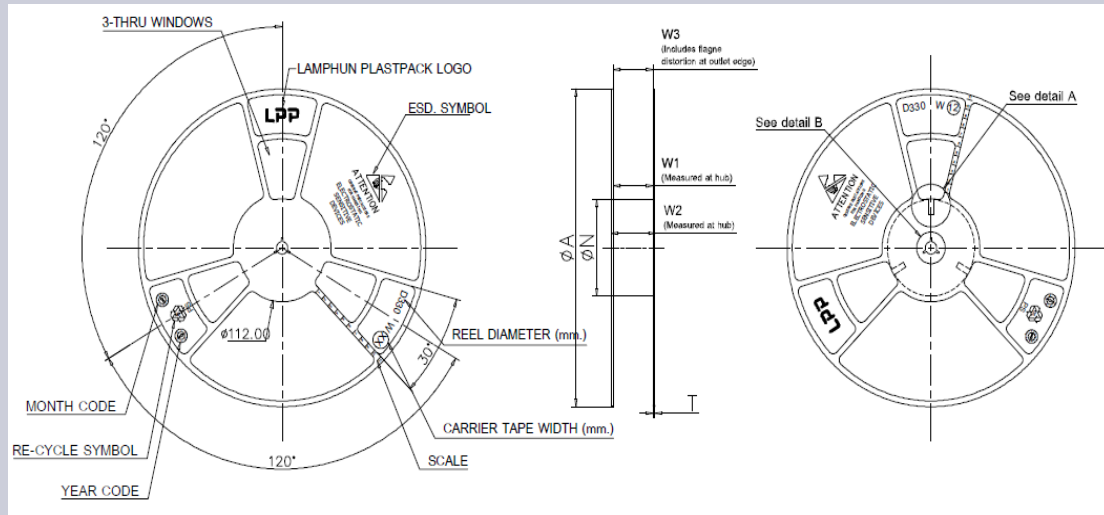
## MTAI



Cover tape color	Width $\pm 0.1$ (mm)	Thickness $\pm 0.005$ (mm)	Sealing Methodology
Clear	$21.0 \pm 0.1$	$0.050 \pm 0.010$	Heat Seal

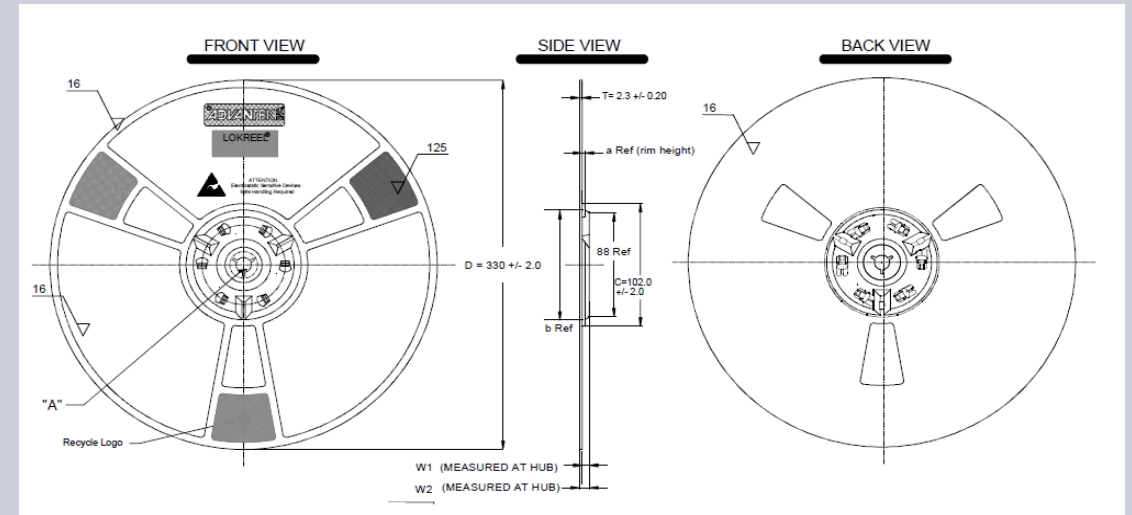
# Pre and Post Change Summary – Plastic Reel

## KYE



Reel Color	Reel diameter (mm)	Hub (mm)	Reel Width Max (mm.)
Regrind Blue	330 ±2.0	102±2.0	8.4 + 16.4

## MTAI



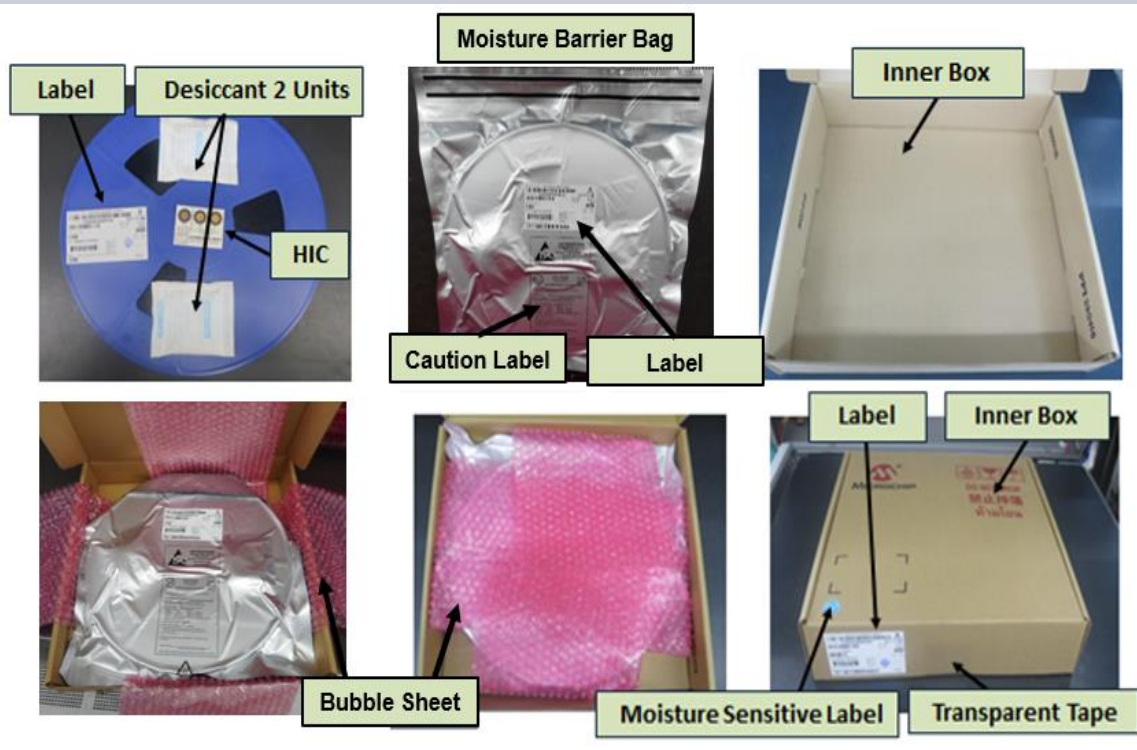
Reel Color	Reel diameter (mm)	Hub (mm)	Reel Width Max (mm.)
Dark Blue	330 ±2.0	100 ±2.0	30.40

# Packing Method – Tape and Reel

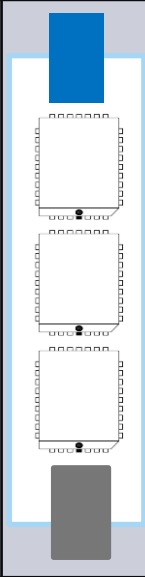
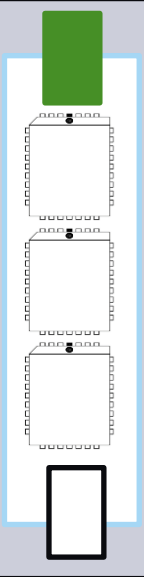
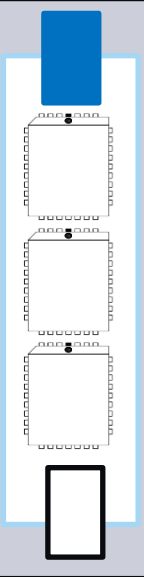
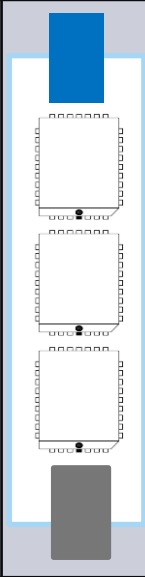
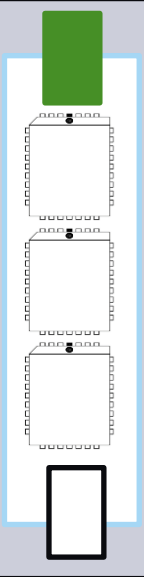
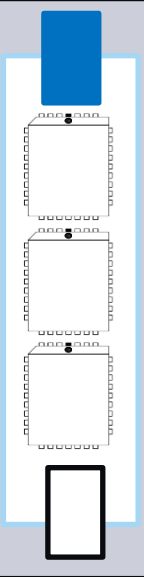
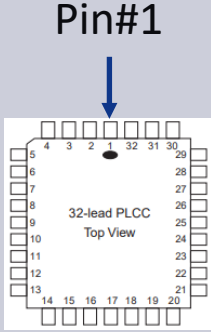
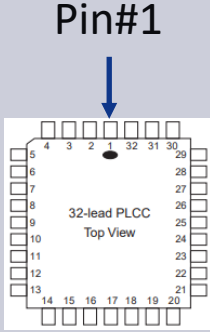
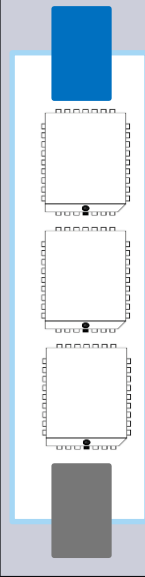
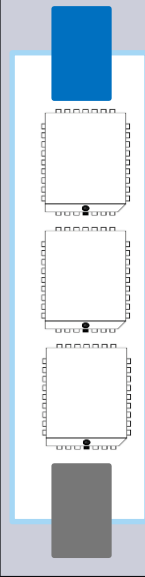
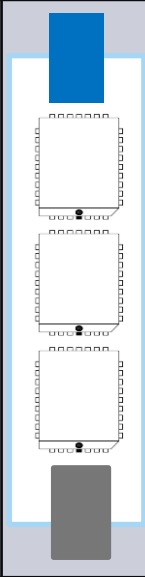
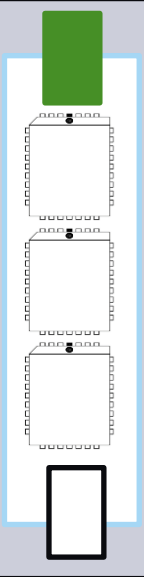
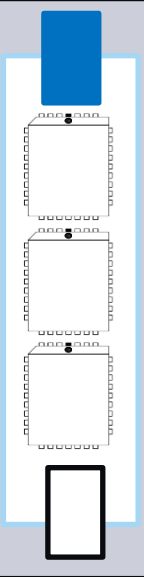
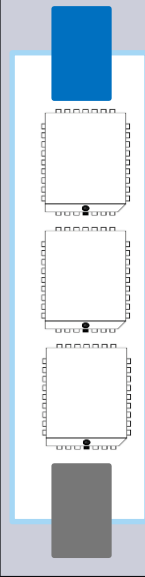
## KYE



## MTAI



# Pre and Post Change Summary – Pin 1 Orientation

		Pre change (KYE)			Post change (KYE and MTAI)																				
Pin 1 Orientation	Tube	<table border="1"> <thead> <tr> <th>MMT</th> <th>LPI</th> <th>GTK</th> </tr> </thead> <tbody> <tr> <td></td> <td></td> <td></td> </tr> </tbody> </table>	MMT	LPI	GTK						<table border="1"> <thead> <tr> <th>MMT</th> <th>LPI</th> <th>GTK</th> </tr> </thead> <tbody> <tr> <td></td> <td>N/A</td> <td>N/A</td> </tr> </tbody> </table>	MMT	LPI	GTK		N/A	N/A								
		MMT	LPI	GTK																					
																									
MMT	LPI	GTK																							
	N/A	N/A																							
<table border="1"> <thead> <tr> <th>Media</th> <th>Pin1 Side</th> <th>Opposite Side</th> </tr> </thead> <tbody> <tr> <td>MMT-TUBE</td> <td>GRAY stopper</td> <td>BLUE stopper</td> </tr> <tr> <td>LPI-TUBE</td> <td>Colored stopper</td> <td>WHITE stopper</td> </tr> <tr> <td>GTK-TUBE</td> <td>BLUE stopper</td> <td>WHITE stopper</td> </tr> </tbody> </table>	Media	Pin1 Side	Opposite Side	MMT-TUBE	GRAY stopper	BLUE stopper	LPI-TUBE	Colored stopper	WHITE stopper	GTK-TUBE	BLUE stopper	WHITE stopper	<table border="1"> <thead> <tr> <th>Media</th> <th>Pin1 Side</th> <th>Opposite Side</th> </tr> </thead> <tbody> <tr> <td>MMT-TUBE</td> <td>GRAY stopper</td> <td>BLUE stopper</td> </tr> <tr> <td>LPI-TUBE</td> <td colspan="2">N/A</td> </tr> <tr> <td>GTK-TUBE</td> <td colspan="2">N/A</td> </tr> </tbody> </table>	Media	Pin1 Side	Opposite Side	MMT-TUBE	GRAY stopper	BLUE stopper	LPI-TUBE	N/A		GTK-TUBE	N/A	
Media	Pin1 Side	Opposite Side																							
MMT-TUBE	GRAY stopper	BLUE stopper																							
LPI-TUBE	Colored stopper	WHITE stopper																							
GTK-TUBE	BLUE stopper	WHITE stopper																							
Media	Pin1 Side	Opposite Side																							
MMT-TUBE	GRAY stopper	BLUE stopper																							
LPI-TUBE	N/A																								
GTK-TUBE	N/A																								





# Packing Method – Tube

## KYE



## MTAI



Scan/Pack Site	MSL Level	Desiccant	Humidity Indicator Card	Baking Condition
MTAI	MSL-3	2 units	1 pcs	6 hours @125°C
KYE	MSL-3	2 units	1 pcs	6 hours @125°C



**QUALIFICATION REPORT SUMMARY**  
RELIABILITY LABORATORY

**PCN #: CENO-17EGOL207**

**Date:**  
**July 18, 2022**

**Qualification of MTAI as an additional final test site for selected SST39SF040, SST39SF020A and SST39SF010A device families available in 32L PLCC (11.5x14x3.37mm) package.**



**Purpose:** Qualification of MTAI as an additional final test site for selected SST39SF040, SST39SF020A and SST39SF010A device families available in 32L PLCC (11.5x14x3.37mm) package.

**CCB#** 5097

<b>Test</b>	<b>Parameters</b>	<b>Result</b>
Correlation	Lot size is > 3K <ul style="list-style-type: none"><li>• FT1@95C -&gt; QC@95C -&gt; FT2@-40C -&gt; QC@-40C</li><li>• Acceptance: Test yield less than 1% delta against KYE test yield</li></ul>	<b>Passed</b>