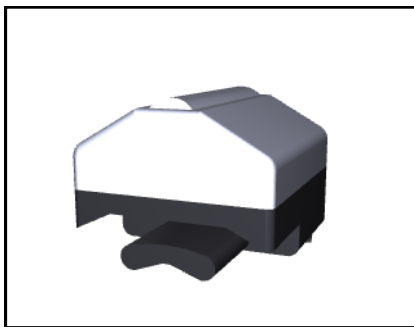


With Magnetic Actuator

Colibri 490



MAGNETIC ACTUATION

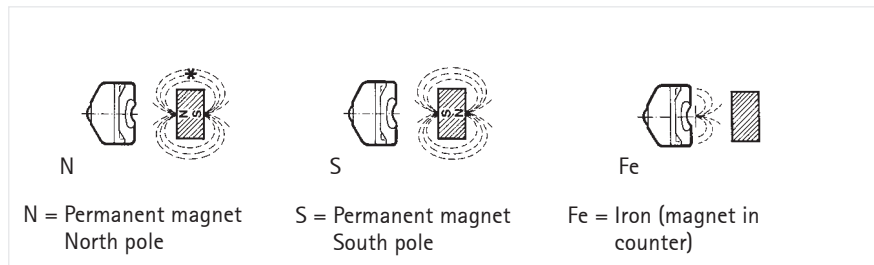


ACTUATING MAGNETS

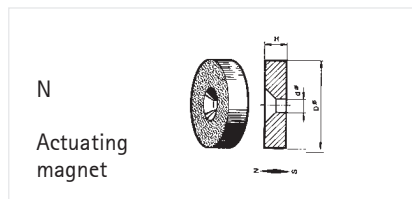
DIMENSIONS OF ACTUATING MAGNETS

ATTACHMENT

- Contactless counting
- Miniature size
- Simple installation
- Protection class IP 65
- Maintenance-free operation



The counter is actuated by a magnetic field. With suitable magnets it is possible to achieve actuating distances of up to 50 mm. The direction of approach of the actuating magnet is not critical. When choosing a counter, it is important to observe the correct polarity of the actuator (see Figure).

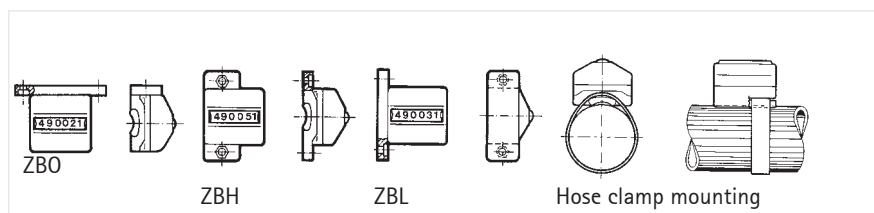


We supply suitable magnets for actuating this counter.

For mounting the magnet via its center hole only screws made of non-magnetic material may be used.

Ordering code	D	d	H
3 532 023	15.2 mm	3.2 mm	6 mm
3 532 024	31.0 mm	5.3 mm	15 mm

"Colibri" is available for several means of attachment:



ZOB = Counter without attachment plate
ZBO = Counter with attachment plate top

ZBL = Counter with attachment plate left
ZBH = Counter with attachment plate behind

