



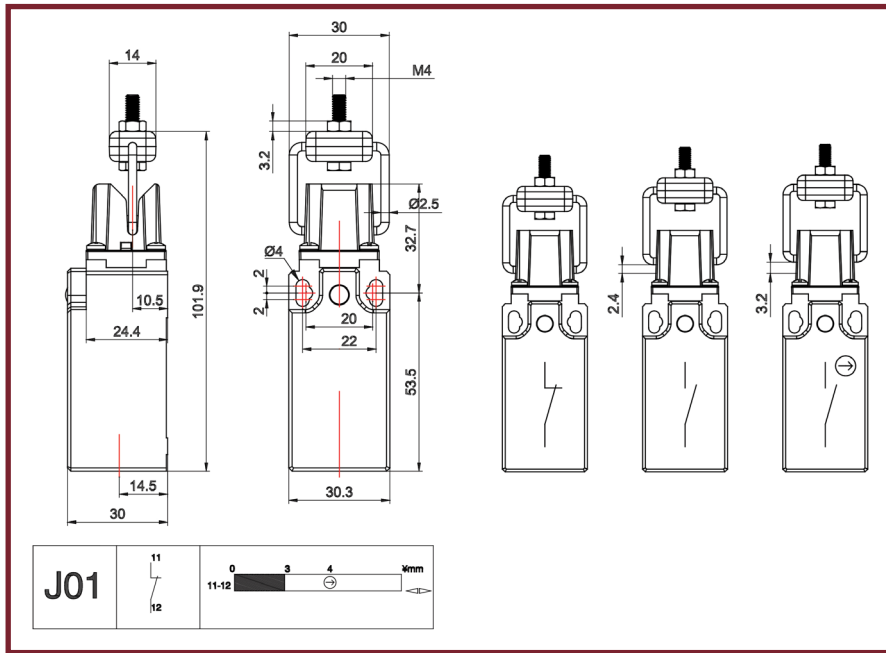
30mm Limit Switches for Lift Door Control

Product overview

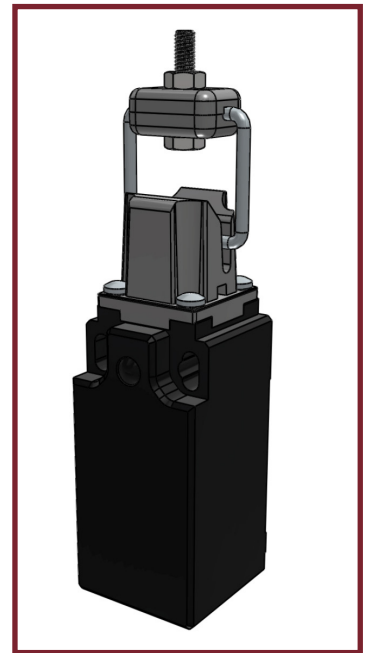
- Positive opening door switches
- Door contact limit switches suitable for lift door control
- Position Switch — Door switch suitable for lift applications
- IP67 protection degree
- Slow action contact (INC) positive opening — Double insulating
- Actuator included - also offered separately

PART NO	DESCRIPTION
CE10.00.D000	One threaded cable entry for PG 13.5 cable gland - 0° head orientation
CE10.00.D090	One threaded cable entry for PG 13.5 cable gland - 90° head orientation
CE10.00.D180	One threaded cable entry for PG 13.5 cable gland - 180° head orientation
CE10.00.D270	One threaded cable entry for PG 13.5 cable gland - 270° head orientation

Technical View



Static 3D View



SPECIFICATION

CASING MATERIAL	Reinforced thermoplastic
WIDTH	30mm
ELECTRICAL CONNECTIONS	One cable inlet for PG 13.5 cable gland
IP DEGREE OF PROTECTION	IP65
ACTUATING HEAD	Adjustable actuator
HEAD MATERIAL	Thermoplastic head
MICROSWITCH	Slow action contact (INC) positive opening
APPROVALS	cULus, EAC
REFERENCE DIRECTIVES	LVD - 2014/35/EU - LVD - 2014/33/EU
REFERENCE STANDARDS	IEC 60947-5-1 / EN 60947-5-1 / EN 81-20, EN 81-50
OPERATING TEMPERATURES	-25°C ... +70°C
STOCK TEMPERATURES	-25°C ... +70°C
RATED IMPULSIVE VOLTAGE	400V
POLLUTION DEGREE	3
CONTACT RATING ACCORDING TO UL50	415Vac 4A Pilot Duty / 24Vdc 3A Pilot Duty
RATED IMPULSIVE VOLTAGE	6kv
CONVENTIONAL THERMAL CURRENT IN FREE AIR	10A
SHORT CIRCUIT PROTECTION	10A
RATED OPERATIONAL CURRENT IE - AC-15 (50-60 HZ) [ACCORDING TO IEC60947-5-1]	400V - 4A
DC-13 OPERATING CURRENTS [ACCORDING TO IEC 60947-5-1]	24V - 3A
SWITCHING FREQUENCY	3600
RESISTANCE BETWEEN CONTACTS	25mΩ
CONNECTING TERMINALS	M3.5 screw with cable clamp (+,-)
CONNECTING CABLE DIMENSIONS	0.75 ... 2.5mm ²
MARKING TERMINALS	According to IEC 60947-5-1
MECHANICAL DURABILITY [MILLIONS OF MANEUVERS]	1
B10D [MILLIONS OF MANEUVERS]	2