

# 4 Conductor 12AWG Weatherproof Automotive Connector Set

**multicomp** PRO

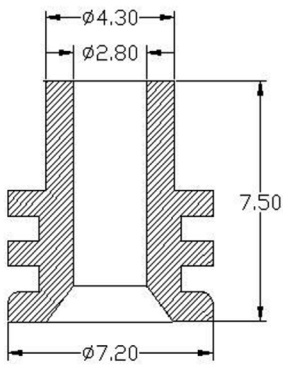


## Kit Contents

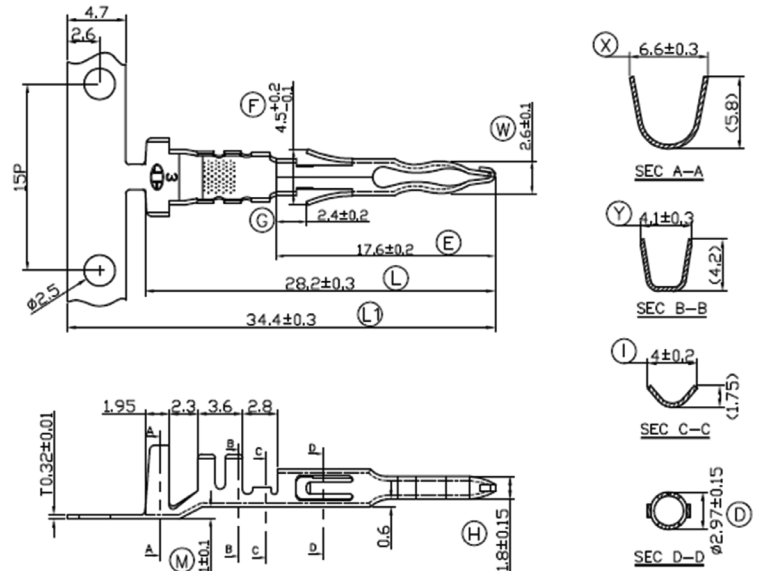
Connector & Terminals

## Diagram

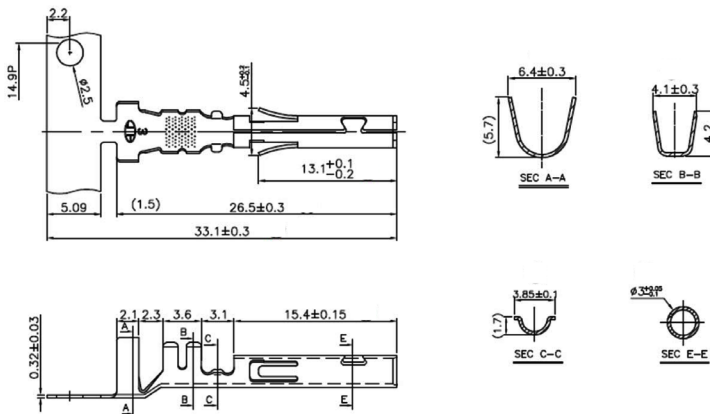
**Ø2.8 Wire Seal for Delphi Weather Pack (For Wire O.D.: 2.9mm to 3.8mm)**



**Receptacles Male Terminal for Delphi Weather Pack (3mm<sup>2</sup>)**



**Receptacles Female Terminal for Delphi Weather Pack (3mm<sup>2</sup>)**



Dimensions : Millimetres

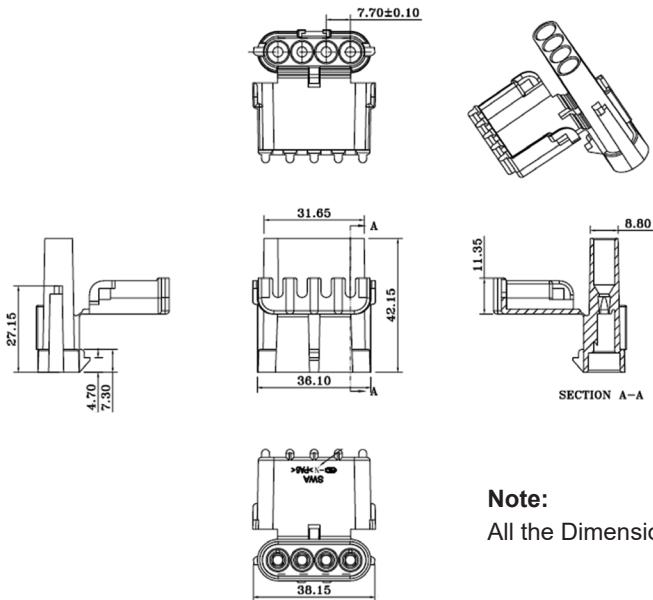
Newark.com/multicomp-pro  
Farnell.com/multicomp-pro  
sg.element14.com/b/multicomp-pro

**multicomp** PRO

# 4 Conductor 12AWG Weatherproof Automotive Connector Set



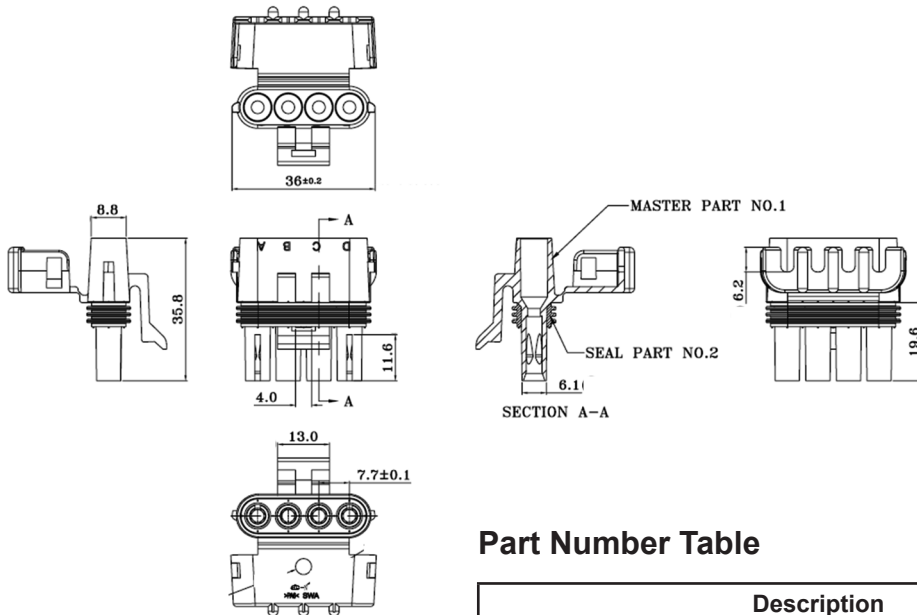
## 4 Pole Receptacles Type Male Housing for Delphi Weather Pack



**Note:**

All the Dimensions are measured under Grade "B" unless otherwise specified.

## 4 Pole Receptacles Type Female Housing for Delphi Weather Pack



### Part Number Table

Description	Part Number
4 Conductor 12AWG Weatherproof Automotive Connector Set	27-10175

Dimensions : Millimetres

**Important Notice :** This data sheet and its contents (the "Information") belong to the members of the AVNET group of companies (the "Group") or are licensed to it. No licence is granted for the use of it other than for information purposes in connection with the products to which it relates. No licence of any intellectual property rights is granted. The Information is subject to change without notice and replaces all data sheets previously supplied. The Information supplied is believed to be accurate but the Group assumes no responsibility for its accuracy or completeness, any error in or omission from it or for any use made of it. Users of this data sheet should check for themselves the Information and the suitability of the products for their purpose and not make any assumptions based on information included or omitted. Liability for loss or damage resulting from any reliance on the Information or use of it (including liability resulting from negligence or where the Group was aware of the possibility of such loss or damage arising) is excluded. This will not operate to limit or restrict the Group's liability for death or personal injury resulting from its negligence. Multicomp Pro is the registered trademark of Premier Farnell Limited 2019.

Newark.com/multicomp-pro  
 Farnell.com/multicomp-pro  
 sg.element14.com/b/multicomp-pro

