

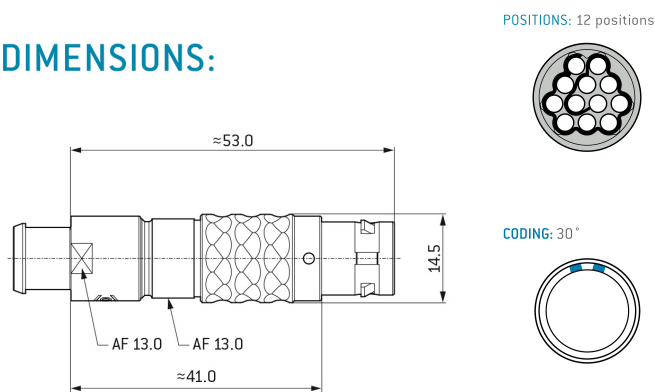
# ODU MINI-SNAP<sup>®</sup> SERIES L PLUG ACC. IEC 60601-1, SIZE 2, IP50, 12 CONTACTS, 30° KEY



- **Part number** SB2LAC-P12PFG2-720S
- **Type of connector** Plug acc. IEC 60601-1
- **Size** Size 2
- **Number of contacts** 12
- **Keying** 30°
- **Cable diameter** 6 - 7.2 mm



## DIMENSIONS:



## Contact Insert Description

Number of contacts	12
Contact type	Pins
Contact diameter	0.7 mm
Insulator material	PEEK
Wire cross section	22-26 AWG
Termination type	Crimp

Reverse gender on request

# ODU MINI-SNAP<sup>®</sup> SERIES L PLUG ACC. IEC 60601-1, SIZE 2, IP50, 12 CONTACTS, 30° KEY



## Technical information

Max. creepage and air clearance distance	1.2 mm (Contact to contact)	2MOPP/2MOOP   > 8 mm (Contact to housing)
Nominal current single contact	7,5 A	IEC 60512-5-2:2002 (DIN EN 60512-5-2:2003)
Nominal current insert (per individual contact)	4,1 A	VDE 0298-4:2003
Test voltage	1,2 kV AC	SAE AS 13441:1998 method 3001.1

All shown connectors are rated to a safety extra low voltage (SELV) of less than 50 V AC / 75 V DC, according to IEC 61140:2016 (VDE 0140-1:2016) Protection against electric shock - Common aspects for installation and equipment. In case other standards rule a specific use of the connector, the application specific safety criteria shall be considered first. In this context, lower voltage ratings may be valid. Warning: Danger to life for operating voltages above 50 V AC / 120 V DC!

## Mechanical and Environmental data

Degree of protection*	IP50
Operating temperature	-40°C - 120°C
Mating cycles	5000
*mated & unmated condition	

## Material and Surface Treatments

Housing	Cu-alloy with matt chrome finish
Contact	Cu-alloy with gold finish

## General information

All shown connectors are defined without breaking capacity (COC) according to IEC 61984:2008 (VDE 0627:2009).

The respective selected ODU connectors with data transfer functionality can transmit common data transmission such as HDMI<sup>®</sup> 2.0, USB<sup>®</sup> 3.2 Gen 1x1, FireWire<sup>®</sup> and eSATA<sup>®</sup>, but they are not HDMI<sup>®</sup>-, USB<sup>®</sup>-, FireWire<sup>®</sup>- and eSATA<sup>®</sup>-standard connectors.

ODU MEDI-SNAP<sup>®</sup> and MINI-SNAP<sup>®</sup> is UL-approved (E110586).

ODU reserves the right to make changes based on the current state of knowledge without prior notice without being obliged to provide replacement deliveries or refinements of older designs.