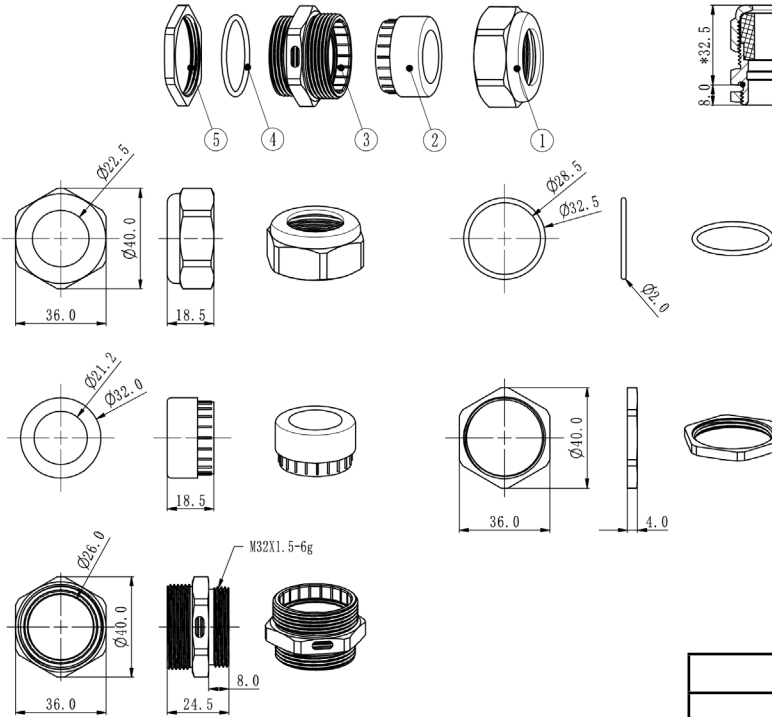


# Cable Glands

Waterproof, Dustproof and Breathable

**multicomp** PRO

**RoHS  
Compliant**



Serial No	Name	Material	Qty.
1	Sealing Nut	HPb59-1	1
2	Seal	SI	
3	Body	HPb59-1	
4	O-Ring	SI	
5	Lock Nut	HPb59-1	

Name	Parameter	Unit
Air volume	300 to 400	ml/min@70mbar
Recommended Opening Size (Through Hole)	Ø32.2	mm
Cable Range	17 to 21	mm
*Torque for Sealing Nut	12 to 14	N.m
*Torque for Body	10 to 14	N.m
Operating Temp.	-40 to 100	°C
Protection Degree	IP67	-

Dimensions : Millimetres

## Note

1. "\*" indicates that parameters may change during installation.
2. The installation torque value can be adjusted according to the actual situation of customers.

## Part Number Table

Description	Part Number
Cable Gland Kit , Metric, 17mm to 21mm, IP67	MP010350

**Important Notice :** This data sheet and its contents (the "Information") belong to the members of the AVNET group of companies (the "Group") or are licensed to it. No licence is granted for the use of it other than for information purposes in connection with the products to which it relates. No licence of any intellectual property rights is granted. The Information is subject to change without notice and replaces all data sheets previously supplied. The Information supplied is believed to be accurate but the Group assumes no responsibility for its accuracy or completeness, any error in or omission from it or for any use made of it. Users of this data sheet should check for themselves the Information and the suitability of the products for their purpose and not make any assumptions based on information included or omitted. Liability for loss or damage resulting from any reliance on the Information or use of it (including liability resulting from negligence or where the Group was aware of the possibility of such loss or damage arising) is excluded. This will not operate to limit or restrict the Group's liability for death or personal injury resulting from its negligence. Multicomp Pro is the registered trademark of Premier Farnell Limited 2019.

Newark.com/multicomp-pro  
Farnell.com/multicomp-pro  
sg.element14.com/b/multicomp-pro

**multicomp** PRO