

RoHS
Compliant



Description

Desktop Black Steel Dual Articulating Monitor Arm for 17" to 32" screen size

Features

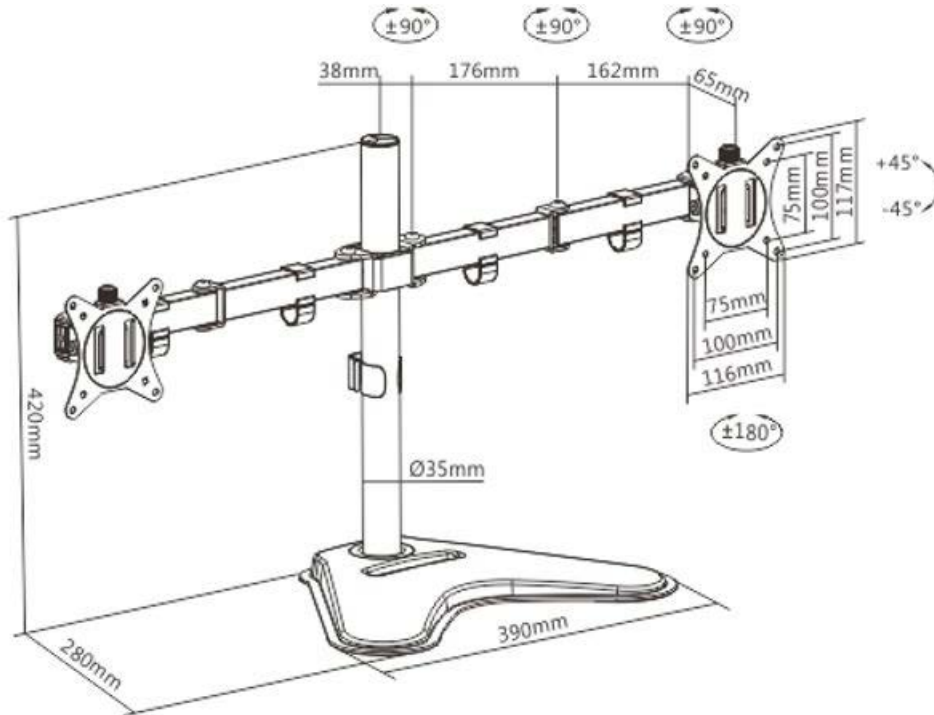
- Free-Tilting Design: makes easy forward or backward adjustment for better viewing and reduced glare
- Swiveling Arm(s): offer(s) maximum viewing flexibility (makes every seat the best seat)
- Fine-Tuning Height Adjustment: enables precision alignment of multiple screens
- Cable Clip: routes cables to reduce clutter for a clean look and more organized place
- Freely Adjusting Height: for an optimal ergonomic position
- Detachable VESA Plate Design: enables easy installation
- Portrait and Landscape Orientation: matches different viewing needs

Specifications

Product Category	: Articulating Monitor Arm
Rank	: Economy
Material	: Steel, Plastic
Surface Finish	: Powder Coating
Colour	: Matte Black
Dimensions	: 869mm × 280mm × 454mm (34.2" × 11" × 17.9")
Fit Screen Size	: 17"-32"
Screen Quantity	: 2
Weight Capacity (per screen)	: 9kg (19.8lbs)
VESA Compatible	: 100 × 100,75 × 75
Tilt Range	: +45° to -45°
Swivel Range	: +90° to -90°
Screen Rotation	: +180° to -180°
Arm Full Extension	: 376mm (14.8")
Pole Height	: 420mm (16.5")
Installation	: Freestanding
Quick Release VESA Plate	: Yes
Cable Management	: Yes

Newark.com/multicomp-pro
Farnell.com/multicomp-pro
sg.element14.com/b/multicomp-pro

Diagram



Dimensions : Millimetres

Part Number Table

Description	Part Number
Monitor Stand, Dual, 17" × 32", Desktop, Steel, Black	MP010432

Important Notice : This data sheet and its contents (the "Information") belong to the members of the AVNET group of companies (the "Group") or are licensed to it. No licence is granted for the use of it other than for information purposes in connection with the products to which it relates. No licence of any intellectual property rights is granted. The Information is subject to change without notice and replaces all data sheets previously supplied. The Information supplied is believed to be accurate but the Group assumes no responsibility for its accuracy or completeness, any error in or omission from it or for any use made of it. Users of this data sheet should check for themselves the Information and the suitability of the products for their purpose and not make any assumptions based on information included or omitted. Liability for loss or damage resulting from any reliance on the Information or use of it (including liability resulting from negligence or where the Group was aware of the possibility of such loss or damage arising) is excluded. This will not operate to limit or restrict the Group's liability for death or personal injury resulting from its negligence. Multicomp Pro is the registered trademark of Premier Farnell Limited 2019.

Newark.com/multicomp-pro
 Farnell.com/multicomp-pro
 sg.element14.com/b/multicomp-pro