

WITTRA UNIFIED GATEWAY

UNIFIED-GATEWAY-1.0



Features:

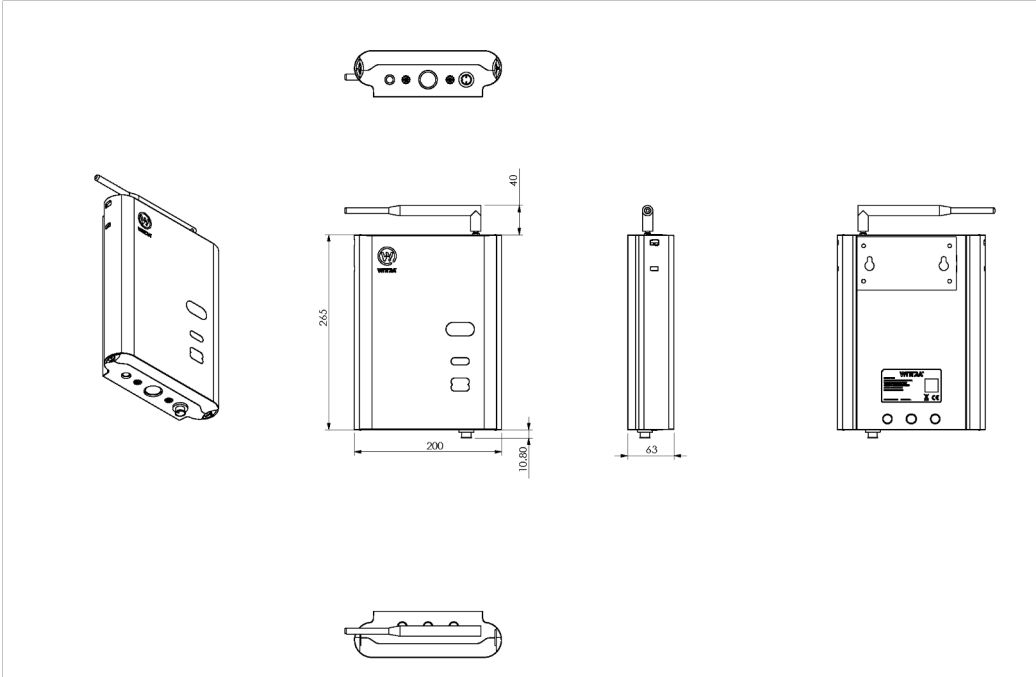
- Self-Contained Cloud Gateway
- Cabled Ethernet for connectivity
- Includes state-of-the-art 6LoWPAN Border Router
- Possible to add plug-ins using a 40-pin GPIO Interface
- Certified and ready for field deployment
- Open standards / protocols
- Data is secured via HTTPS and DTLS
- Easy to set up and use

WITTRA Unified Gateway is part of the 'UNIFIED IOT OUT OF THE BOX

DescriptionThe network/cloud gateway is part of a wireless sensor network which can be deployed on a heavy industrial site to monitor objects and assets, with a cloud-based API.

Specification	
Size	265 x 200 x 63mm (ABS Housing)
Weight	1.1kg
Operating Temperature	0°C to +50°C
Environmental Rating	IP51
Physical Interfaces	Power: 2-pin Sealed Barrel Connector Plug in: 40-pin interface
Input Voltage Range	10—16 Volts DC
Maximum Input Power	2A @12V
Average Current Consumption	700mA @5V (Not including plug in modules)
SenseIT Radio Transmit Frequency	863 - 870 MHz (EU)
SenseIT Radio Transmit Power	20mW EIRP Max
SenseIT Data Transmission Rate	50kbps (as per IEEE 802.15.4g)
FOTA (Firmware over the air) update	2.4GHz and 868MHz (EU)
Cloud Physical Interface	Gigbit Ethernet
Regulatory Compliance	CE (EU)
Security	HTTPS, DTLS

Unified Gateway EU



General Note: All datasheets are subject to change without notice.

WITTRA NETWORKS AB
Wittra Networks AB, Västra Järnvägsgatan 3 (9th Floor),
111 64 Stockholm, Sweden t: +46 8 387871
e: info@wittra.se <https://www.wittra.se>