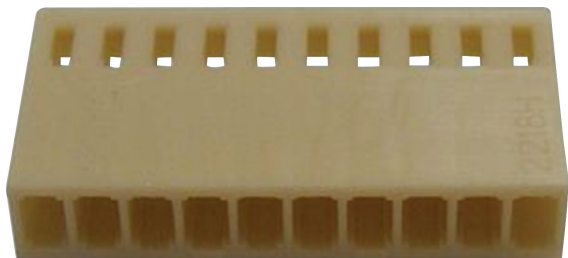


2.54mm Crimp Housing Wire to Board

multicomp PRO

**RoHS
Compliant**



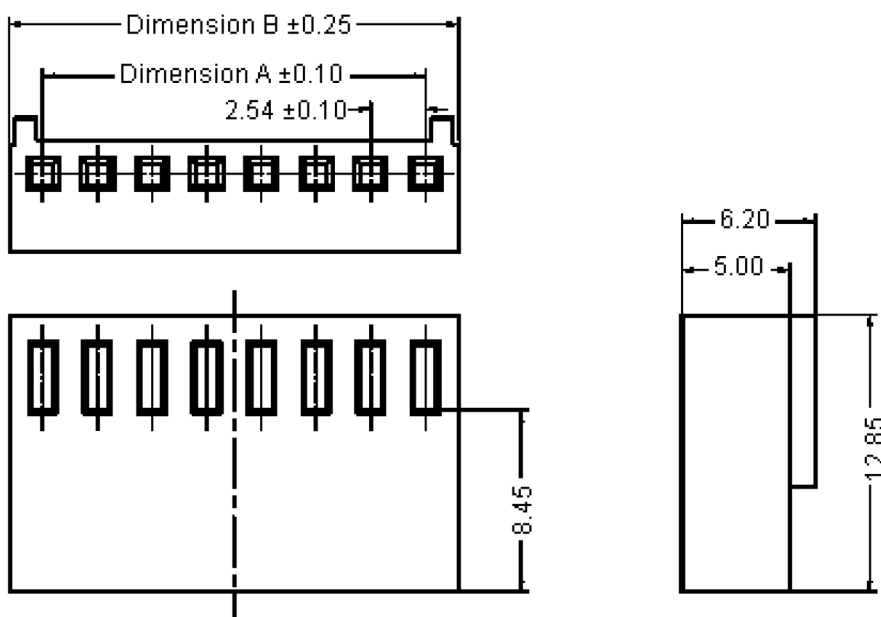
Specifications:

Current Rating	: 3A AC/DC
Voltage Rating	: 250V AC/DC
Maximum Contact Resistance	: 20mΩ
Minimum Insulation Resistance	: 1,000MΩ
Withstanding Voltage	: 1,000V AC/Minute
Operating Temperature Range	: -40°C to +105°C

Material and Finish:

Insulator	: Nylon 66
Insulator Colour	: Beige
Contact	: Brass
Plating	: Tin Plated

2.54mm Crimp Housing



Dimensions : Millimetres

2.54mm Crimp Housing Wire to Board

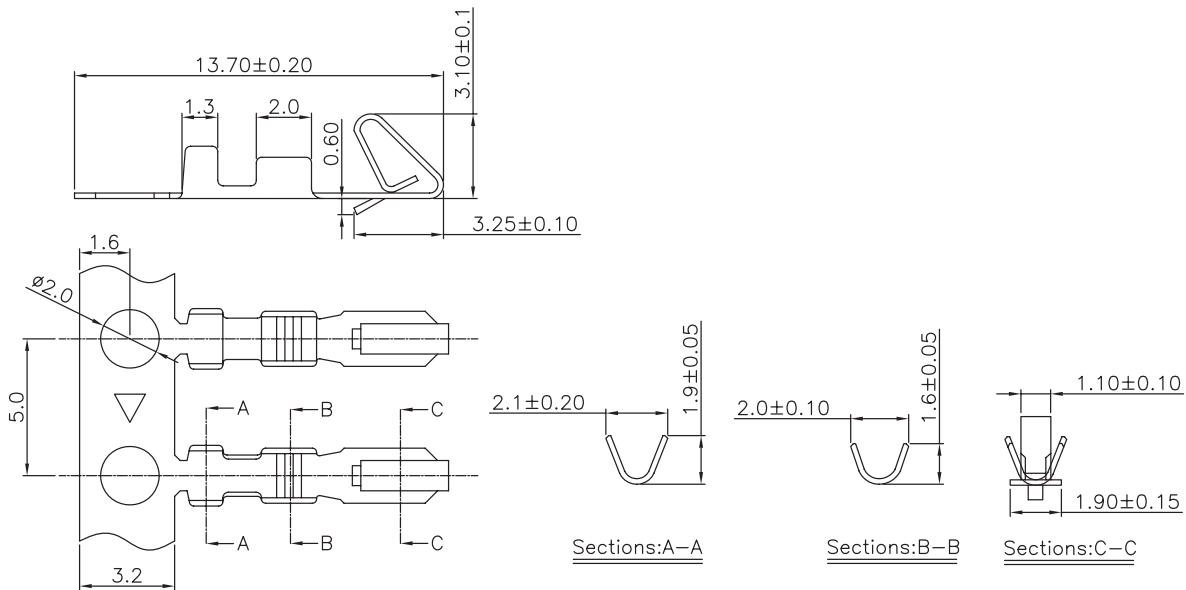
multicomp PRO



Specifications:

Material : Contact Brass
 Finish : Tin Plated
 Application Wires : 22 to 28AWG

Accessories - Crimp Pin



Dimensions : Millimetres

Part Number Table

Description	No. of Position	A	B	Part Number
Crimp Housing, 2.54mm, 2Way	2	2.54	5.6	MC34481
Crimp Housing, 2.54mm, 3Way	3	5.08	8.1	MC34483
Crimp Housing, 2.54mm, 4Way	4	7.62	10.7	MC34485
Crimp Housing, 2.54mm, 5Way	5	10.16	13.2	MC34503
Crimp Housing, 2.54mm, 6Way	6	12.7	15.8	MC34487
Crimp Housing, 2.54mm, 8Way	8	17.78	20.9	MC34489
Crimp Housing, 2.54mm, 10Way	10	22.86	25.9	MC34491
Crimp Housing, 2.54mm, 12Way	12	27.94	31	MC34529
Contact, Crimp, Plug, 28-22AWG (Cut)	-	-	-	2218T

Important Notice : This data sheet and its contents (the "Information") belong to the members of the AVNET group of companies (the "Group") or are licensed to it. No licence is granted for the use of it other than for information purposes in connection with the products to which it relates. No licence of any intellectual property rights is granted. The Information is subject to change without notice and replaces all data sheets previously supplied. The Information supplied is believed to be accurate but the Group assumes no responsibility for its accuracy or completeness, any error in or omission from it or for any use made of it. Users of this data sheet should check for themselves the Information and the suitability of the products for their purpose and not make any assumptions based on information included or omitted. Liability for loss or damage resulting from any reliance on the Information or use of it (including liability resulting from negligence or where the Group was aware of the possibility of such loss or damage arising) is excluded. This will not operate to limit or restrict the Group's liability for death or personal injury resulting from its negligence. Multicomp Pro is the registered trademark of Premier Farnell Limited 2019.

Newark.com/multicomp-pro
 Farnell.com/multicomp-pro
 sg.element14.com/b/multicomp-pro

multicomp PRO