



Magnetic Sheets for RFID
- Flexield -

Series name

IFQ06

IFQ06

■ FEATURES

- High permeability (μ') and low magnetic loss (μ'') material for up to 13.56MHz applications
- High flexibility which allows sheets to easily be formed to desired shape
- High quality factor (Q)
- Protects system from metal objects located directly behind coils
- Available on a roll or in sheet form

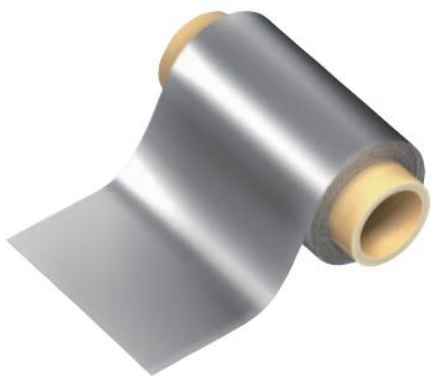
■ TEMPERATURE RANGE

Operating temperature
-40 to +85 °C

■ STANDARD SHAPE LIST

Material name	Magnetic layer thickness (mm)	Sheet dimensions (mm)	Roll dimensions	
			Width (mm)	Length (m)
IFQ06	0.050	300 X 200	300	100
	0.100		300	100
	0.200		Non-STD*	Non-STD*

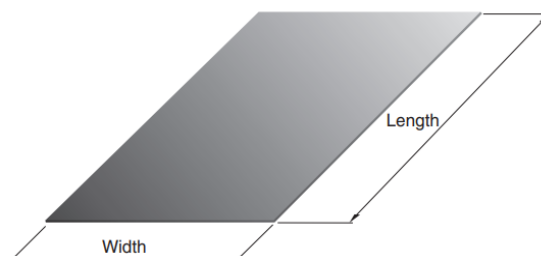
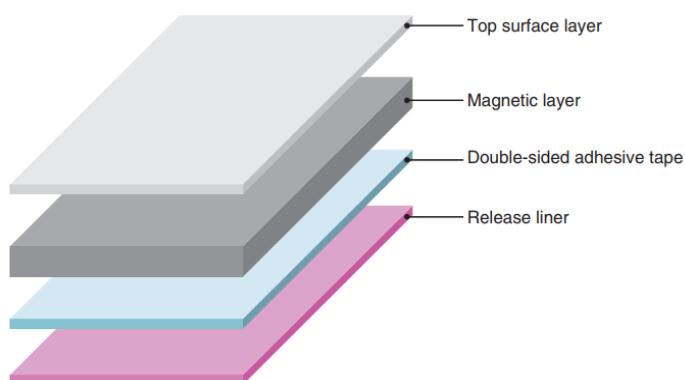
*Please contact us for details



IFQ06 Sheet Type

■ PART NUMBER CONSTRUCTION

IFQ	06	-	050	N	N	300	X	200	
Series name	Material symbol		Magnetic layer thickness (mm)	Top surface layer thickness (mm)		Double-sided adhesive tape thickness (mm)		Length (mm)	Width (mm)
IFQ	06		050 0.050	N No	N No	300 300		200 200	
			100 0.100	R 0.038	B 0.010				
			200 0.200	R : Release type		D 0.030			



■ STANDARD PART NUMBER LIST

Material name	Part number	Sheet dimensions (mm)	Magnetic layer thickness (mm)	Total thickness (mm)
IFQ06	IFQ06-050NB300X200	300x200	0.050	0.060
	IFQ06-100NB300X200		0.100	0.110
	IFQ06-200ND300X200		0.200	0.240

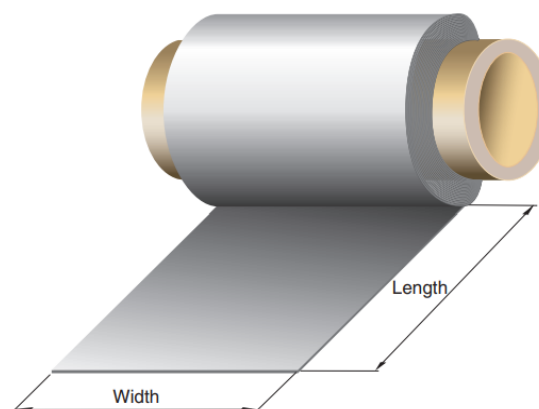
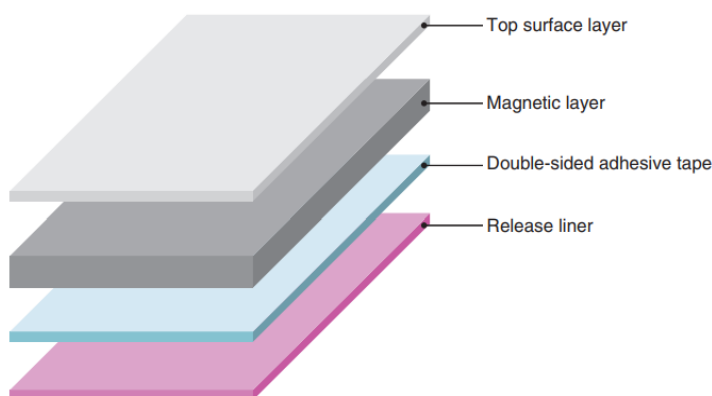
(Typical)

IFQ06 Roll Type

PART NUMBER CONSTRUCTION

IFQ	06	-	050	N	B	1HR	X	300	
Series name	Material symbol		Magnetic layer thickness (mm)	Top surface layer thickness (mm)		Double-sided adhesive tape thickness (mm)		Length (m)	Width (mm)
IFQ	06		050 0.050 100 0.100	N No R 0.038	N No B 0.010 D 0.030		1HR 100	300 300	

R : Release type



STANDARD PART NUMBER LIST

Material name	Part number	Roll dimensions		Magnetic layer thickness (mm)	Total thickness (mm)
		Width (mm)	Length (m)		
IFQ06	IFQ06-050RN1HRX300	300	100	0.050	0.088*
	IFQ06-100RN1HRX300			0.100	0.138*
	IFQ06-050NB1HRX300			0.050	0.060
	IFQ06-100NB1HRX300			0.100	0.110

* Note : Including top surface layer

IFQ06

MATERIAL CHARACTERISTICS

Material Characteristic Table

(Typical)

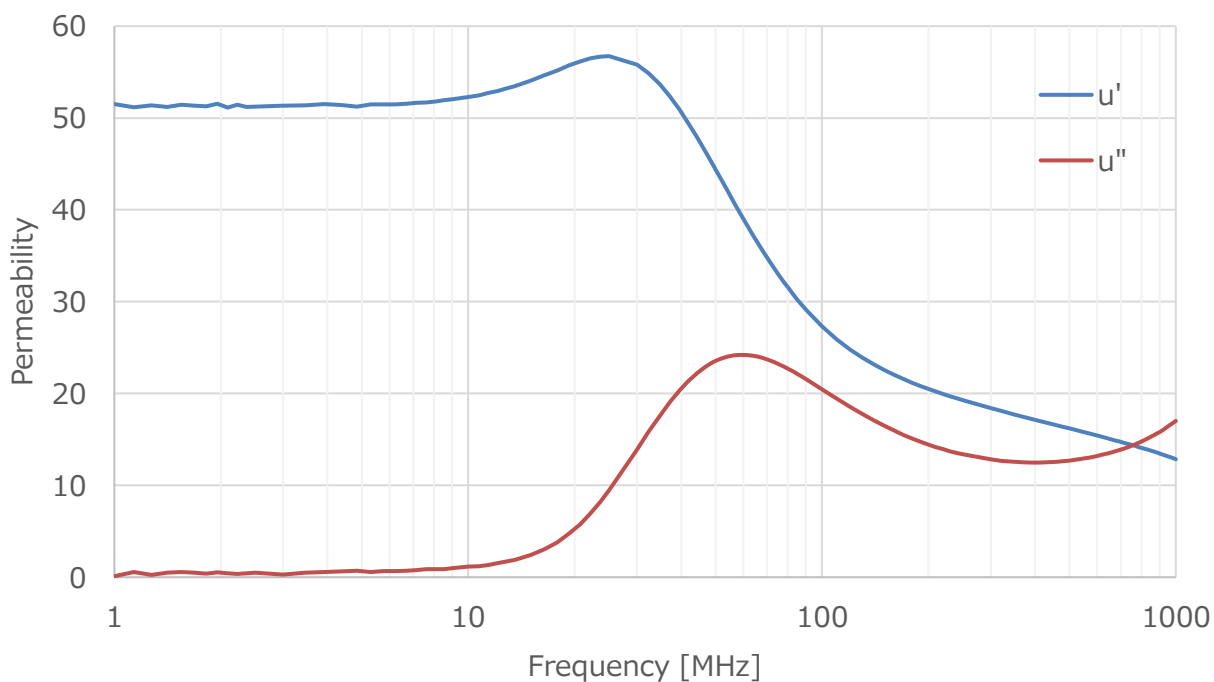
Material name	Relative permeability (at 13.56MHz)			Surface resistivity (ohm/sq.)
	u'	u''	u'/u''	
	IFQ06	55	2	

(Typical)

Material name	Thermal conductivity (W/m·K)	Saturated magnetic flux density (mT)	Curie temperature (deg.C)	Relative Permittivity (at 1MHz)
IFQ06	1.5	150	> 500	1500

Relative Permeability

Permeability (u' and u'') vs. Frequency



REMINDERS FOR USING THESE PRODUCTS

Before using these products, be sure to request the delivery specifications.

SAFETY REMINDERS

Please pay sufficient attention to the warnings for safe designing when using these products.

REMINDERS

The products listed on this catalog are intended for use in general electronic equipment (AV equipment, telecommunications equipment, home appliances, amusement equipment, computer equipment, personal equipment, office equipment, measurement equipment, industrial robots) under a normal operation and use condition.

The products are not designed or warranted to meet the requirements of the applications listed below, whose performance and/or quality require a more stringent level of safety or reliability, or whose failure, malfunction or trouble could cause serious damage to society, person or property.

If you intend to use the products in the applications listed below or if you have special requirements exceeding the range or conditions set forth in the each catalog, please contact us.

1. Aerospace/aviation equipment
2. Transportation equipment (cars, electric trains, ships, etc.)
3. Medical equipment (excepting Pharmaceutical Affairs Law classification Class1,2)
4. Power-generation control equipment
5. Atomic energy-related equipment
6. Seabed equipment
7. Transportation control equipment
8. Public information-processing equipment
9. Military equipment
10. Electric heating apparatus, burning equipment
11. Disaster prevention/crime prevention equipment
12. Safety equipment
13. Other applications that are not considered general-purpose applications

When designing your equipment even for general-purpose applications, you are kindly requested to take into consideration securing protection circuit/device or providing backup circuits in your equipment.