

Please be sure to read these general terms of use, before using this product.

Cautions about imitations

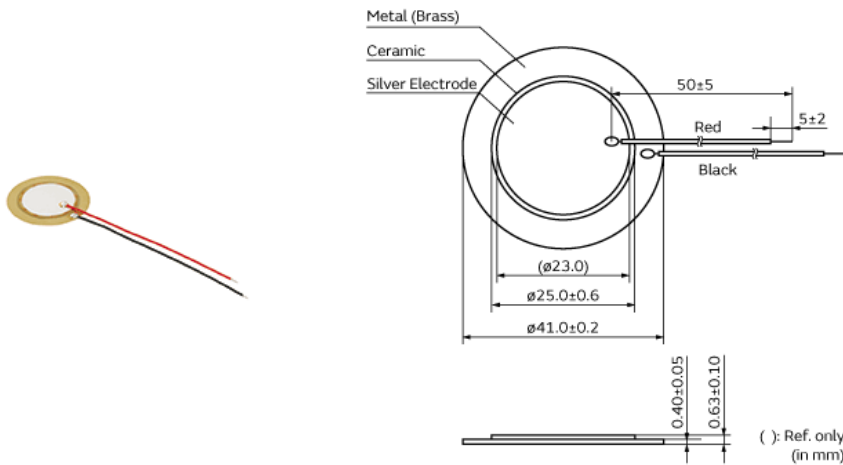
7BB-41-2L0

In Production ?

Production Start Date : 10/1/1979

RoHS REACH ?

Appearance & Shape



Specifications

Resonance Frequency	2.2kHz
Resonant Frequency Tolerance	±0.3kHz
Resonant Impedance (R1)	300Ω
Capacitance	30nF
Capacitance Tolerance	±30%
Measurement Condition of Capacitance	[1kHz]
Operating Temperature Range	-20°C to 70°C
Storage Temperature Range	-30°C to 80°C
Shape	With lead wire
Plate Size	41mm
Element Size	25mm
Plate Material	Brass
Specification of Lead Wire	AWG32
Lead Length	50mm
Drive Type	External Drive
EIAJ Part Number	PD-SU2-C41-22
Mass	5396mg

Features

1. Clear sound
2. Ultra thin and lightweight
3. No contacts: therefore, no noise and highly reliable
4. Low power consumption for voltage type

Applications

Other Usage	Consumer/Industrial

Packaging Information

Packaging	Specifications	Standard Packing Quantity
-	Bulk	250