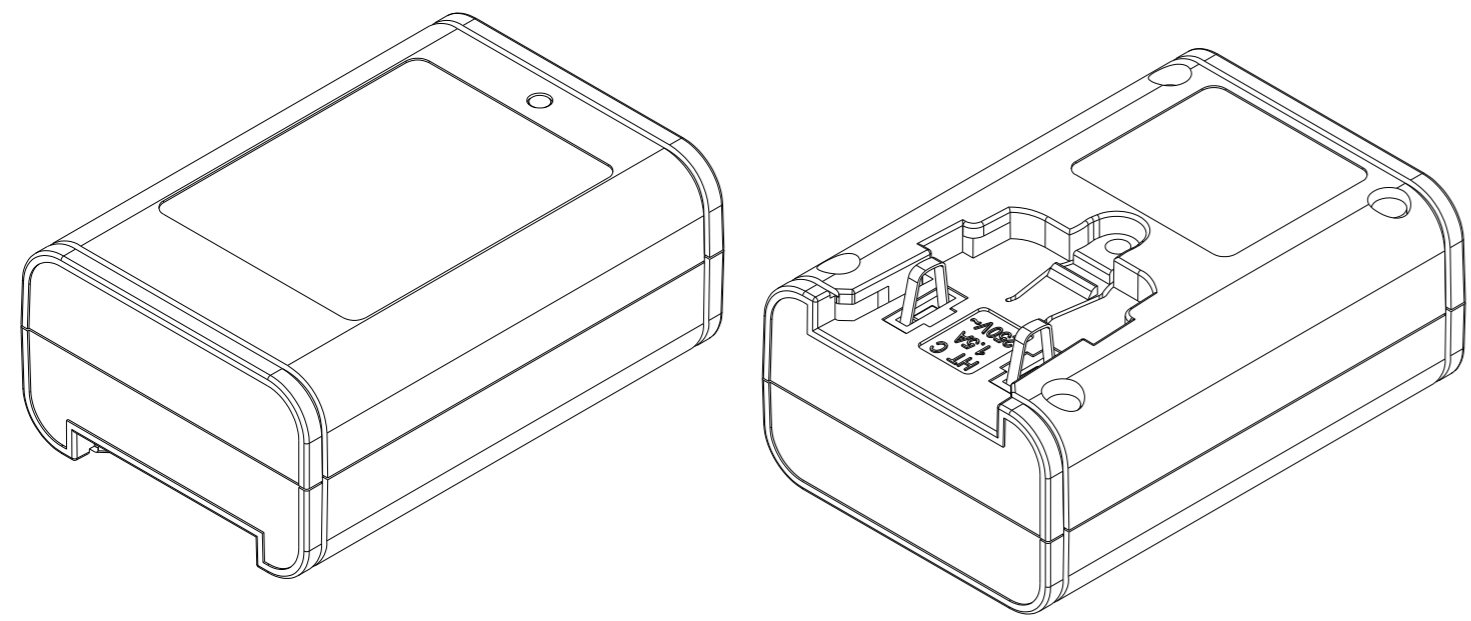


The supplier acknowledges that, with the acceptance of the drawing, he is in a position to manufacture the illustrated part in accordance with the drawing in reproducible form and series production. Through the selected manufacturing processes no impairments will arise in the material and structure which could subsequently lead to an impairment of the component. Verbal agreements over and above that are not valid. Deviations from this rule must be written and must be signed by the purchaser.

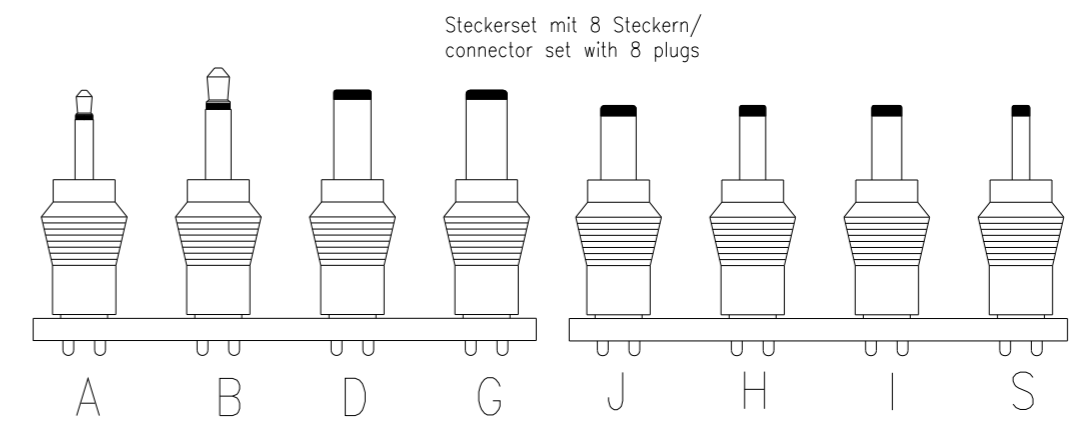
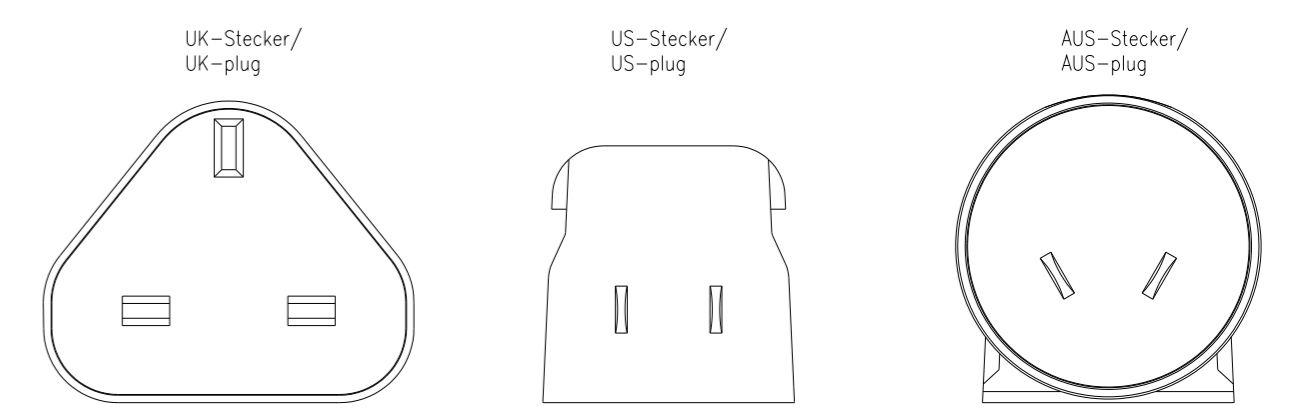
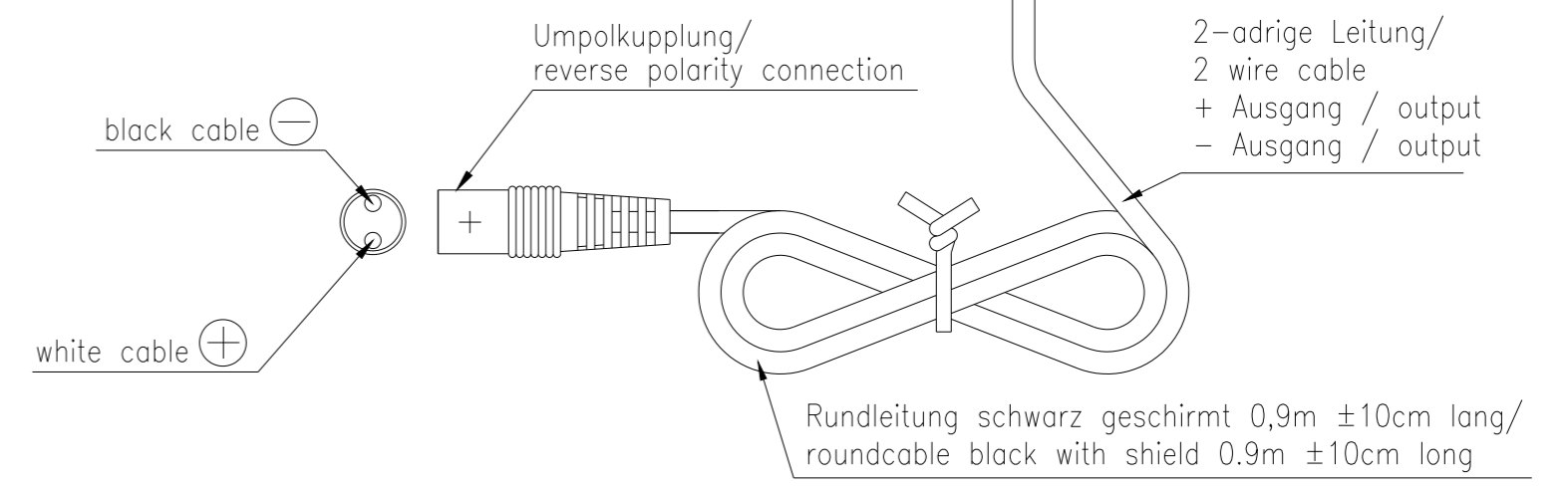
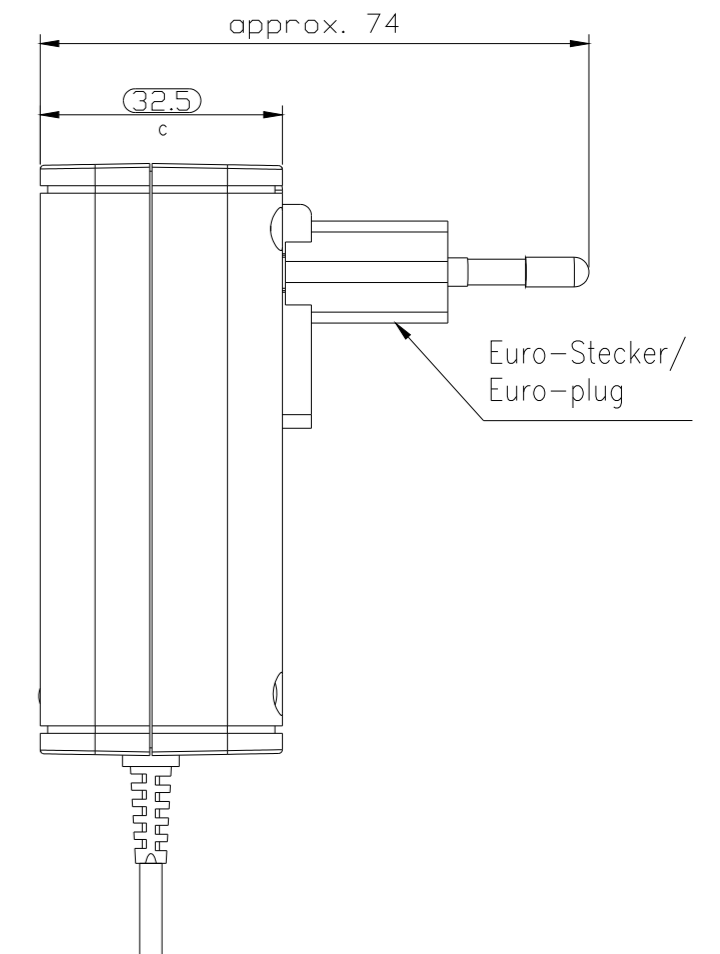
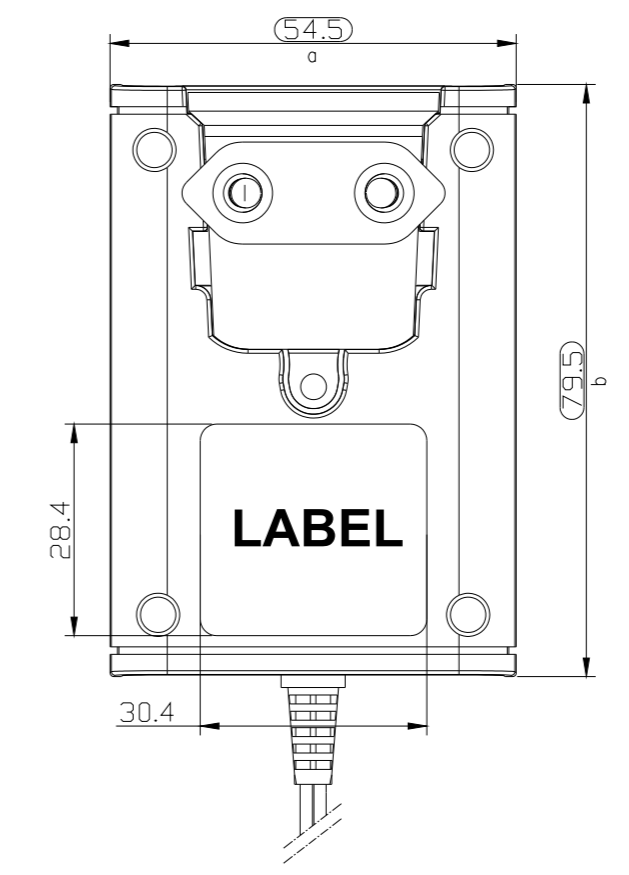
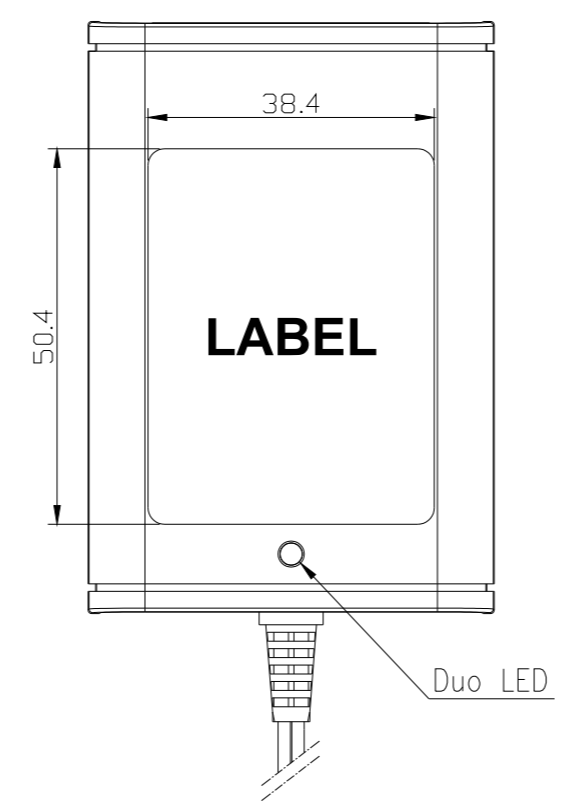
This drawing may not be copied, reproduced or made available to third parties in any medium without the prior written approval.



| | |
|--|---|
| Technische Daten/ technical data | : Steckerladegerät/ plug-in charger |
| Chemie/ chemistry | : Li-Ion |
| Zellenzahl/ no. of cells | : 1 Zelle/ cell |
| ladbare Kapazität/ loadable capacity | : max. 28.2Ah |
| Eingangsspannung/ input voltage | : 100-240VAC ±10% / 50-60Hz |
| Eingangs-Schutz/ primary electrical protection | : Sicherung T3.15A fuse |
| Leistungsaufnahme im Leerlauf/ stand-by power consumption | : ≤ 0.5W |
| Nenn-Leistungsaufnahme/ nominal power consumption | : ≤12W |
| Ableitstrom/ Leakage current | : < 250uA |
| Ausgangsspannung im Leerlauf/ no load output voltage | : ca./ approx. 0-10VDC (pulsing) |
| Vorladespannung/ pre-charge voltage | : 3.0V |
| Vorladestrom/ pre-charge current | : 0.04A (U<2.5V) / 0.12A (U>=2.5V) |
| Nennausgangsspannung/ nominal output voltage | : 3.7V |
| Nennladestrom/ nominal charge current | : 2.35A |
| Ladeschlussspannung/ charge end voltage | : 4.21V |
| Ladeschlussstrom/ charge end current | : 0.2A |
| Lade Wiedereinschaltspannung/ charge restart voltage | : 4V |
| Rückstrom ohne Netzspannung/ reverse current without AC | : < 100uA bei/ at 16.8VDC |
| Ausgangs-Schutz/ secondary electrical protection | : Kurzschluss/ short circuit |
| Akku-Vollerkennung/ battery full detection | : CCCV |
| Sicherheitstimer/ safety timer | : 1hr (pre-charge) / 12hr (charge) |
| Spannungsfestigkeit/ electric strength | : 4 kV Eingang/Ausgang primary/secondary |
| Schutzklasse/ protection class | : II |
| Betriebstemperatur/ operating temperature | : 0°C...+40°C |
| Lagertemperatur/ storage temperature | : -25°C...+60°C |
| Luftfeuchtigkeit im Betrieb/ humidity: operation | : 10%-90% (non-condensing) |
| Transport & Lagerung/ transport & storage | : 10%-95% (non-condensing) |
| Einsatzhöhe/ altitude | : max. 2000m |
| Transport & Lagerung/ transport & storage | : max. 12000m |
| Luftdruck im Betrieb/ Air pressure: operation | : 795-1060hPa |
| Transport & Lagerung/ transport & storage | : 500-1060hPa |

| | |
|---|---|
| Nettogewicht/ net weight | : 150g |
| Gehäuse/ case | : Steckergehäuse, schwarz, Typ/ APS1500T plug-in housing, black, type |
| Gehäusematerial/ case material | : PC plastic UL94V-0 |
| Leiterplattenmaterial/ pcb material | : FR4 |
| Schutzart/ case protection | : IP 20 |
| Typenschild Vorderseite/ ratingplate front | : Weißes Label mit schwarzer Bedruckung/ white label with black printing |
| Typenschild Rückseite/ ratingplate back | : --- |
| Anleitungen/ instructions | : mehrsprachig/ multilingual |
| Approbationen/ approvals | : CE, UKCA, CB report |
| Normen/ standards | : CB IEC 60335-2-29, IEC 60335-1, CE EMC EN 55015-1, EN 61000-3-2, EN 61000-3-3, EN 55014-2 |

Duo LED indicator
 charging inactive (power on) : flash green 0.2Hz
 charging (CC/CV) : flash green 1Hz
 charging finished : lights green
 error (battery/charger/muting) : flash red
 (under-voltage, over-voltage, short circuit)



| plug | plug description | plug size | part number |
|------|------------------|----------------|-------------|
| A | jackplug | 2.5x12mm | 10950038 |
| B | jackplug | 3.5x15mm | 10950037 |
| D | hollowplug | 2.1x5x12mm | 10950107 |
| G | hollowplug | 2.5x5.5x12mm | 10950377 |
| J | hollowplug | 1.75x4.75x10mm | 10950105 |
| H | hollowplug | 1.35x3.5x10mm | 10950036 |
| I | hollowplug | 1.7x4x10mm | 10950399/01 |
| S | hollowplug | 2.35x0.75x10mm | 10950078 |

| | | | | |
|--|--|--------------------------------------|---------------------|---|
| Allowable deviation general tolerances | | Surface: | Material: | Weight |
| DIN ISO 2768-m | | Date | Scale (DIN A2): 1:1 | Projection method 1 |
| Date | | Name | Product name: | |
| Drawn by 24.11.2022 | | DS | | IPC-12-Uni-charger-LI-ION-1-cell |
| Changed by | | Part number 2000-3011 | | |
| Version | | Project: IS-711052 | | Sheet 1/1 |
| Change | | Application range for inquiry XXX/XX | | |

