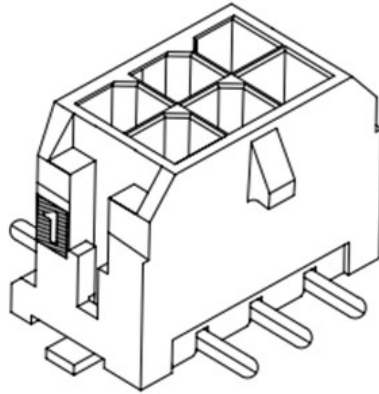




Product Change Notification

Date Issued :	November 04, 2022	PCN Number :	512820
Reason for Change :	Manufacturing Process Change (Molex)		
Description of Change :	We are making changes to our manufacturing process to increase productivity to meet current and future capacity demands and improve on time delivery		
Reason for Short Notice :	Capacity Increase		
Assessment of Change :	First Article Inspection		
Planned Implementation Date :	May 31, 2023		
Sample Availability Date:	November 30, 2022		
Internal Molex Qualification Date :	December 22, 2022		
Last date to request Samples by Customer :	January 06, 2023		
Traceability Code Markings / Date :	Lot information on label		

Before Picture



43045 series

1

Molex Confidential Information
© 2016 Molex – All Rights Reserved. Unauthorized Reproduction/Distribution is Prohibited.



After Picture

Overview

- This notification is to inform you about manufacturing process change for the part/s listed in this notice is changing. No changes will be made to product as part of this change.

Will add a new assembly manual process to improve our capacity to meet future demands.

- Product Impact
 - No impact to fit, form or function.
- Part Number Impact
 - See attached impacted parts list
- PPAP and samples available upon request

2 Molex Confidential Information
© 2016 Molex – All Rights Reserved. Unauthorized Reproduction/Distribution is Prohibited.



RELEASED

You may address inquiries regarding this PCN by clicking on the below link
mailto:pcn_coordinator@molex.com?subject=PCN_Notification:512820
or contact your Local Sales Engineer.

Note: While responding, please retain " PCN Notification : **PCN Notification: 512820** " in the e-mail Subject line for faster response.

[Molex, LLC](#)
2222 Wellington Court
Lisle, IL 60532
TEL (800) 786-6539
www.molex.com