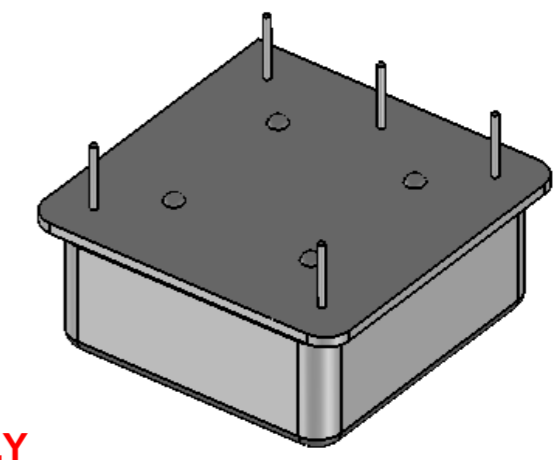
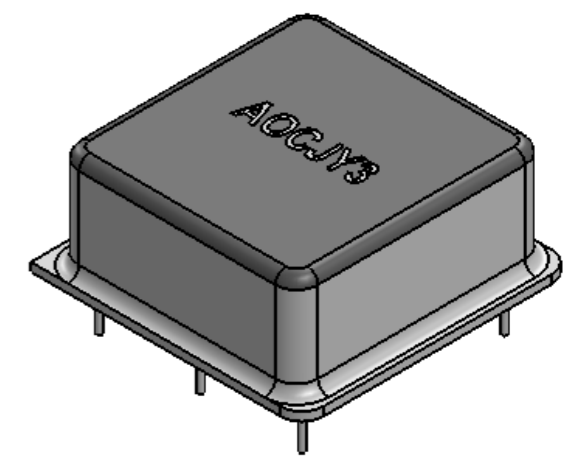



PIN	FUNCTION:
1	R F Output
2	GND
3	Control Voltage
4	Reference Voltage/NC
5	Power Supply



TOP PACKAGE MARKING IS FOR ILLUSTRATION PURPOSES ONLY

UNLESS OTHERWISE SPECIFIED: DIMENSIONS ARE IN MM SURFACE FINISH: TOLERANCES: LINEAR: ANGULAR:				FINISH:	DEBUR AND BREAK SHARP EDGES	DO NOT SCALE DRAWING	REVISION -
DRAWN	NAME	SIGNATURE	DATE			 ABRACON CORPORATION 30332 Esperanza, Rancho Santa margarita, California 92688	
CHK'D	XXXXXX					TITLE: OVEN CONTROLLED CRYSTAL OSCILLATOR	
APPV'D						DWG NO.	A3
MFG						AOCJY3	
Q.A				MATERIAL:		SCALE:2:1	SHEET 1 OF 1
				WEIGHT:			