

USB 4.0 Type-C Receptacle multicomp^{PRO}

RoHS
Compliant

Specifications

Material:

Insulator	: Hi-Temp Thermoplastic, rated UL 94V-0
Insulator colour	: Black
Contacts	: Copper Alloy
Shell	: Stainless Steel, Nickel plated
Plating	: 30u" Gold over Nickel underplate on contact area Matte Tin over Nickel underplate on solder tails

Electrical:

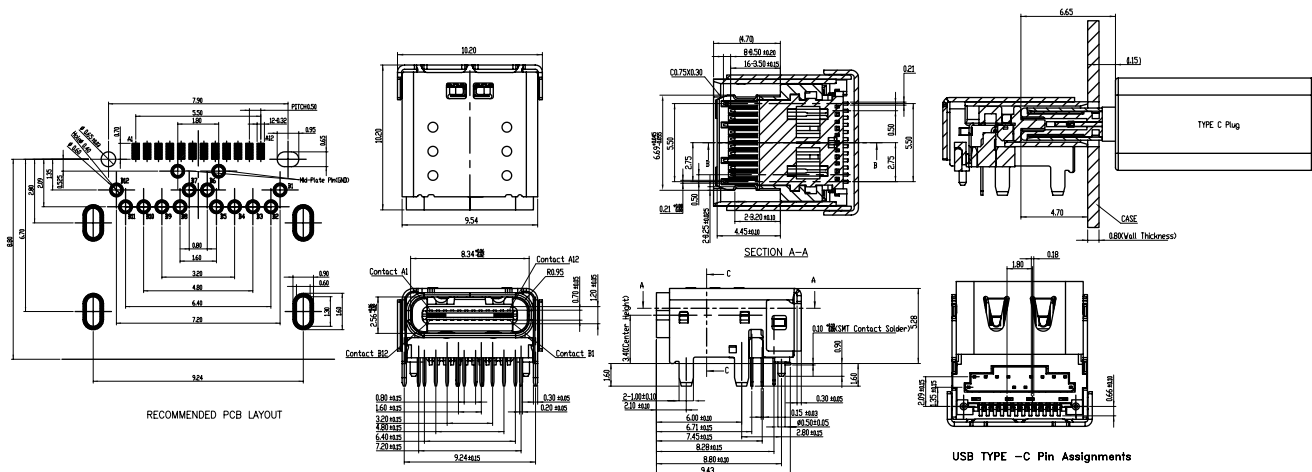
Operation voltage	: 20V
Current rating	: 7A max.
Contact resistance	: 40mΩ initial
Insulation resistance	: 100MΩ min @ 100V DC
Dielectric withstanding voltage	: 100V AC for 1 minute

Mechanical:

Mating cycles	: 10,000 insertions
Temperature Rating	: -20°C to +105°C



Diagram

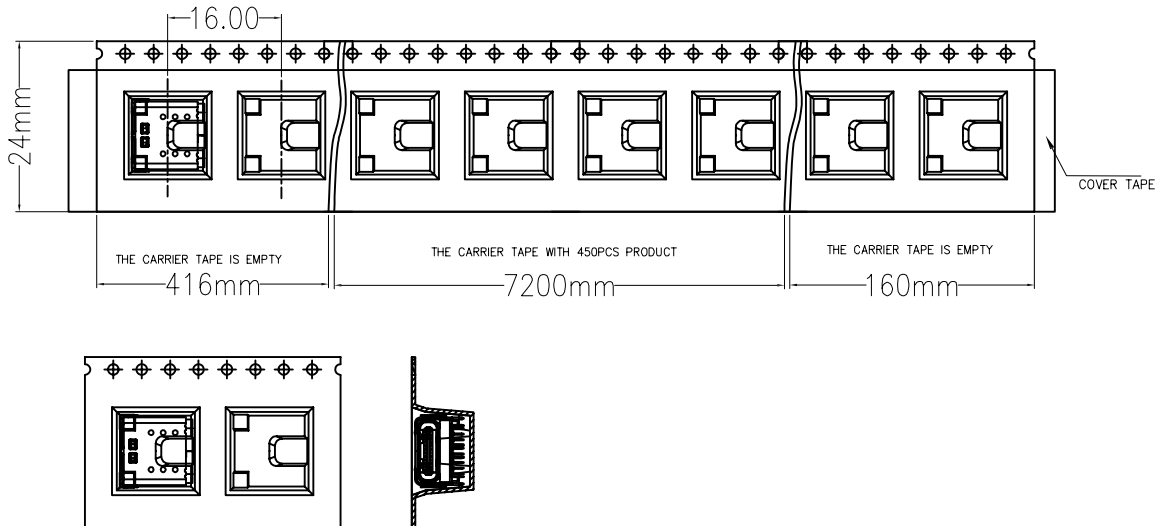


Dimensions : Millimetres

Newark.com/multicomp-pro
Farnell.com/multicomp-pro
sg.element14.com/b/multicomp-pro

multicomp^{PRO}

USB 4.0 Type-C Receptacle multicomp^{PRO}



Dimensions : Millimetres

USB Type - C Pin Assignments

Pin Number	Signal Name	Pin Number	Signal Name
A1	GND	B12	GND
A2	SSTXp1	B11	SSRXp1
A3	SSTXn1	B10	SSRXn1
A4	VBUS	B9	VBUS
A5	CC1	B8	SBU2.
A6	Dp1	B7	Dn2
A7	Dn1	B6	Dp2
A8	SBU1	B5	CC2
A9	VBUS	B4	VBUS
A10	SSRXn2	B3	SSTXn2
A11	SSRXp2	B2	SSTXp2
A12	GND	B1	GND

Part Number Table

Description	Part Number
USB 4.0 Type-C Receptacle, R/A, 40Gbps, Black	MP011014

Important Notice : This data sheet and its contents (the "Information") belong to the members of the AVNET group of companies (the "Group") or are licensed to it. No licence is granted for the use of it other than for information purposes in connection with the products to which it relates. No licence of any intellectual property rights is granted. The Information is subject to change without notice and replaces all data sheets previously supplied. The Information supplied is believed to be accurate but the Group assumes no responsibility for its accuracy or completeness, any error in or omission from it or for any use made of it. Users of this data sheet should check for themselves the Information and the suitability of the products for their purpose and not make any assumptions based on information included or omitted. Liability for loss or damage resulting from any reliance on the Information or use of it (including liability resulting from negligence or where the Group was aware of the possibility of such loss or damage arising) is excluded. This will not operate to limit or restrict the Group's liability for death or personal injury resulting from its negligence. Multicomp Pro is the registered trademark of Premier Farnell Limited 2019.

Newark.com/multicomp-pro
 Farnell.com/multicomp-pro
 sg.element14.com/b/multicomp-pro

multicomp^{PRO}