

# USB 4.0 Type-C Receptacle multicomp<sup>PRO</sup>

RoHS  
Compliant

## Specifications

### Material:

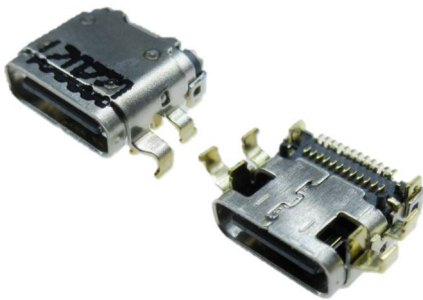
Insulator	: Hi-Temp Thermoplastic, rated UL 94V-0
Insulator colour	: Black
Contacts	: Copper Alloy
Shell	: Stainless Steel, Gold Flash on Solder Area
Mid Plate	: SUS301
Plating	: 30u" Gold over Nickel underplate on contact area Gold Flash over Nickel underplate on solder tails

### Electrical:

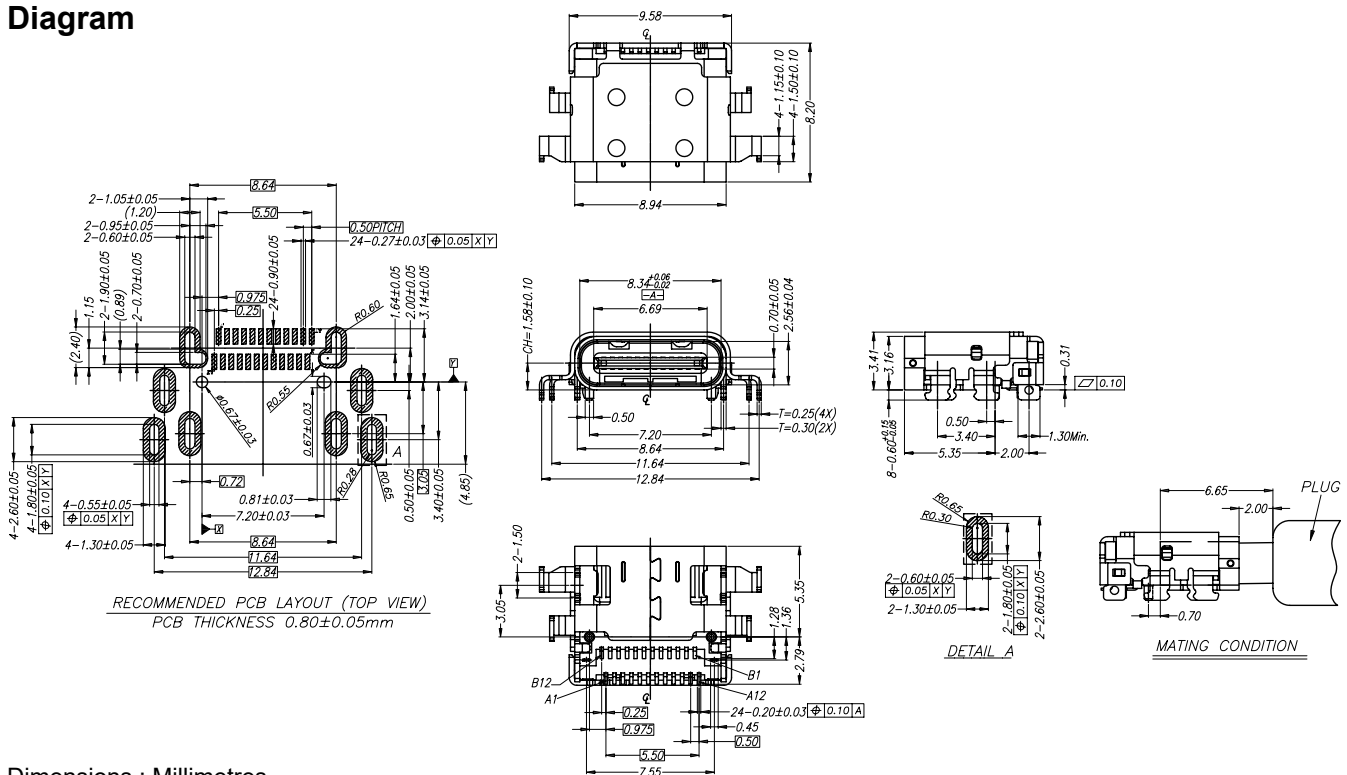
Max voltage	: 5V
Current rating	: 3Amp

### Mechanical:

Insertion	: 5 to 20N
Extraction	: 8 to 20N
Mating cycles	: 10,000 insertions
Temperature Rating	: -55°C to +85°C



## Diagram



Dimensions : Millimetres

Newark.com/multicomp-pro  
Farnell.com/multicomp-pro  
sg.element14.com/b/multicomp-pro

multicomp<sup>PRO</sup>

# USB 4.0 Type-C Receptacle **multicomp**PRO

## Pin Assignments

Pin Number	Signal Name	Pin Number	Signal Name
A1	GND	B12	GND
A2	TX1+	B11	RX2+
A3	TX1-	B10	RX2-
A4	VBUS	B9	VBUS
A5	CC1	B8	RFU2
A6	D+	B7	D-
A7	D-	B6	D+
A8	RFU1	B5	CC2
A9	VBUS	B4	VBUS
A10	RX2-	B3	TX2-
A11	RX2+	B2	TX2+
A12	GND	B1	GND

## Part Number Table

Description	Part Number
USB 4.0 Type-C Receptacle, R/A, 40Gbps, Black	MP011015

**Important Notice :** This data sheet and its contents (the "Information") belong to the members of the AVNET group of companies (the "Group") or are licensed to it. No licence is granted for the use of it other than for information purposes in connection with the products to which it relates. No licence of any intellectual property rights is granted. The Information is subject to change without notice and replaces all data sheets previously supplied. The Information supplied is believed to be accurate but the Group assumes no responsibility for its accuracy or completeness, any error in or omission from it or for any use made of it. Users of this data sheet should check for themselves the Information and the suitability of the products for their purpose and not make any assumptions based on information included or omitted. Liability for loss or damage resulting from any reliance on the Information or use of it (including liability resulting from negligence or where the Group was aware of the possibility of such loss or damage arising) is excluded. This will not operate to limit or restrict the Group's liability for death or personal injury resulting from its negligence. Multicomp Pro is the registered trademark of Premier Farnell Limited 2019.

Newark.com/multicomp-pro  
Farnell.com/multicomp-pro  
sg.element14.com/b/multicomp-pro

**multicomp**PRO