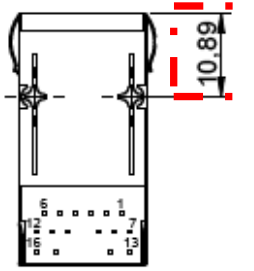
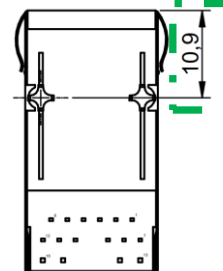
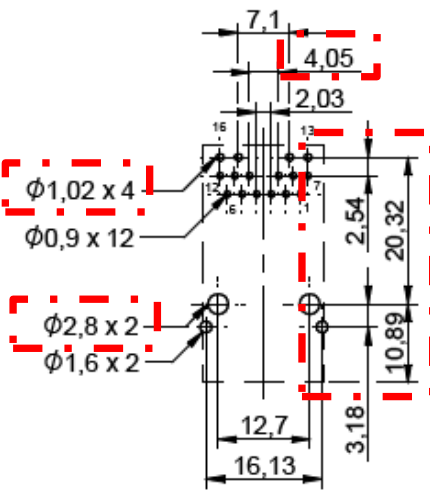
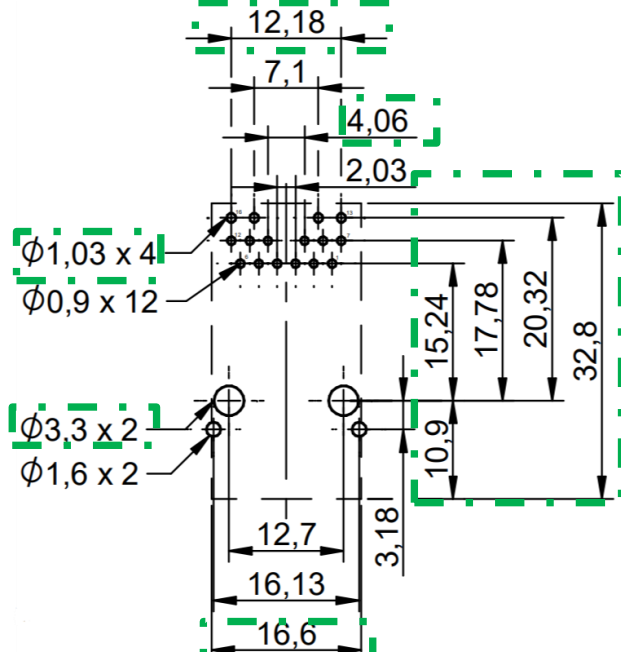
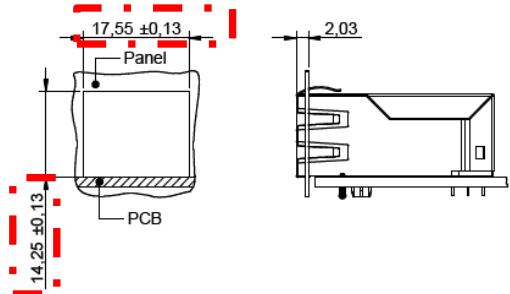
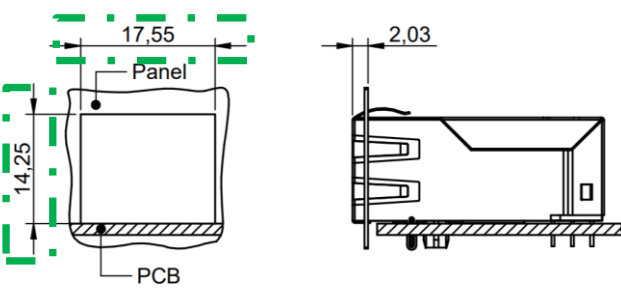
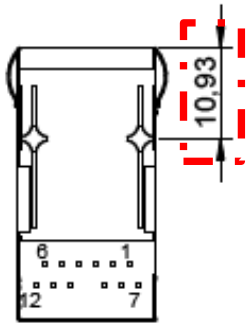
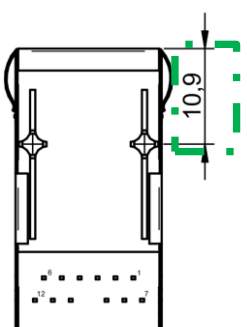
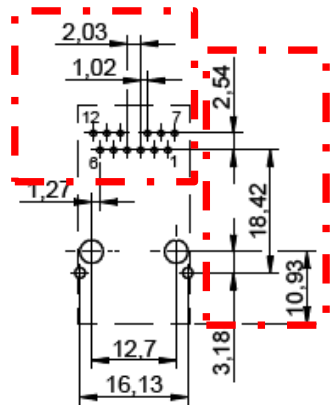
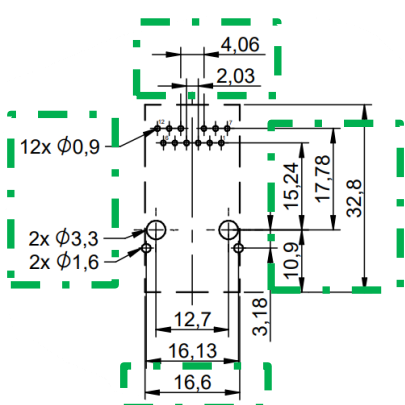
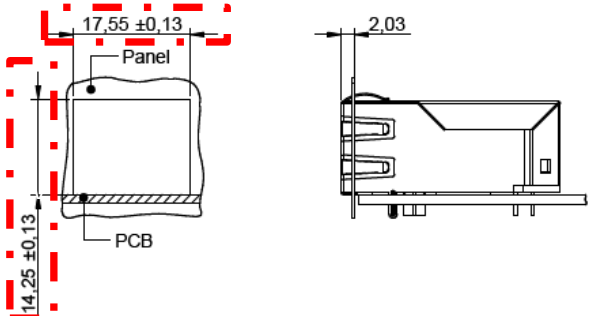
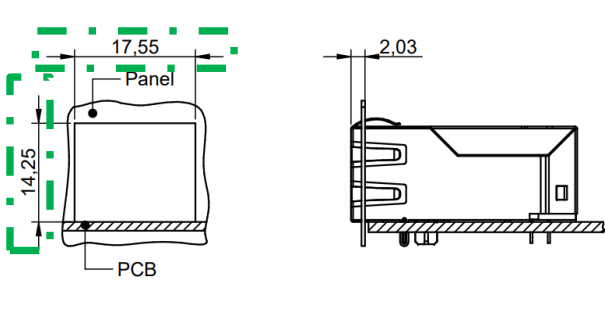




Product / Process Change Notification (PCN)	
<input type="checkbox"/> Major change <input checked="" type="checkbox"/> Minor change	
PCN #: PCN_UtRJ45LAN_20230302 Affected Series: WE-RJ45LAN; 7499xxx PCN Date: December 02, 2022 Effective Date: March 02, 2023	Change Category: <input type="checkbox"/> Equipment / Location <input checked="" type="checkbox"/> General Data <input type="checkbox"/> Material <input type="checkbox"/> Process <input type="checkbox"/> Product Design <input type="checkbox"/> Shipping / Packaging <input type="checkbox"/> Supplier <input type="checkbox"/> Software
Contact: Product Management Phone: +49 (0) 7942 - 945 5001 Fax: +49 (0) 7942 - 945 5179 E-Mail: pcn.eisos@we-online.com	Data Sheet Change: <input checked="" type="checkbox"/> Yes <input type="checkbox"/> No Attachment: <input type="checkbox"/> Yes <input checked="" type="checkbox"/> No
Description and purpose of change: Because of a database mismatch, Würth Elektronik will correct the data sheet information. Additional Würth Elektronik uses this PCN to implement a standardized style of drawings and showing standardized dimensions to make it even easier to compare the P/Ns. This is a datasheet correction only. There will be no change in form, fit, function, quality or reliability of the product.	

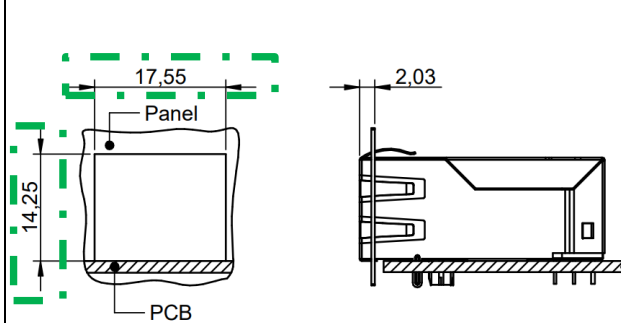
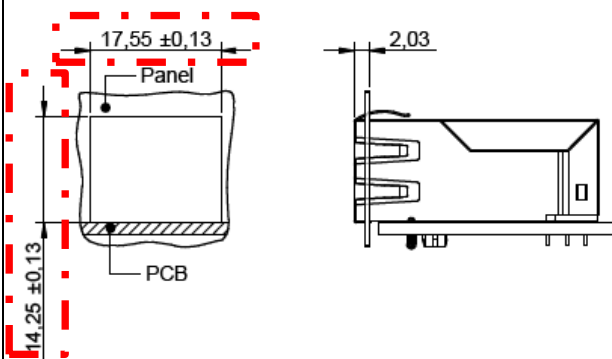
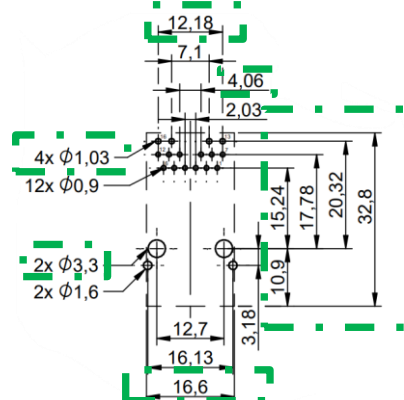
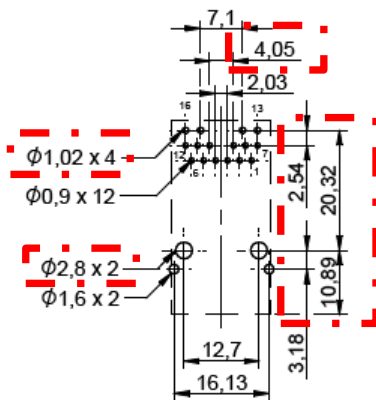
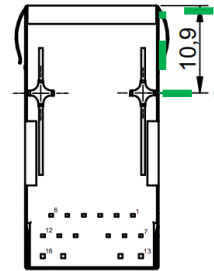
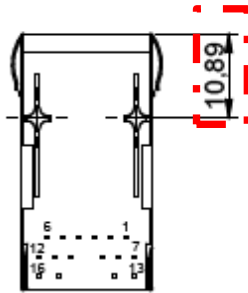
Detail of Change: 7499111614A	
Before correction	After correction
	
	
	

7499111000A Before correction	After correction
	
	
	

7499111620

Before correction

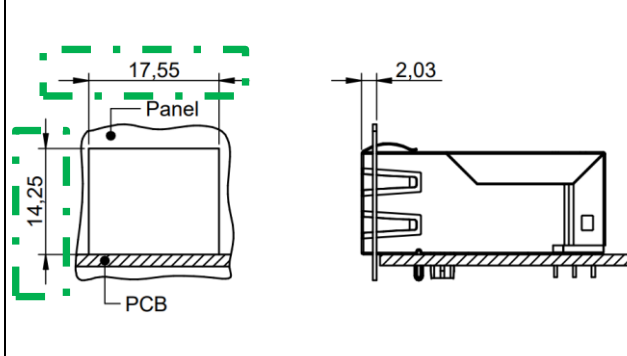
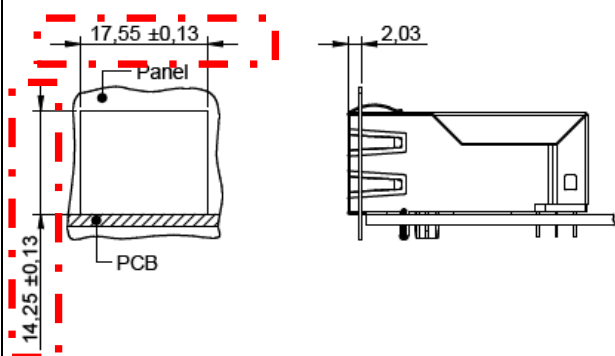
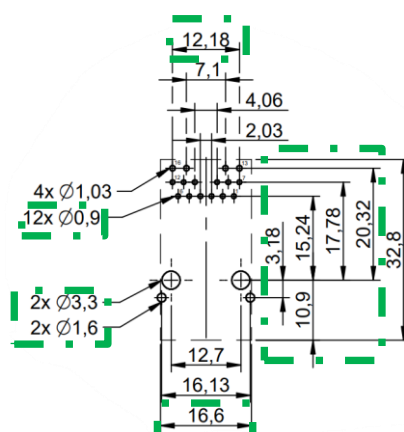
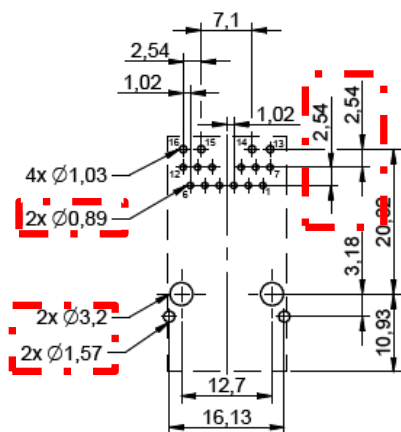
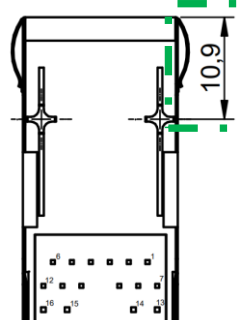
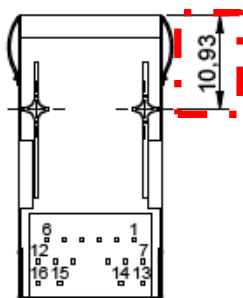
After correction



7499111221A

Before correction

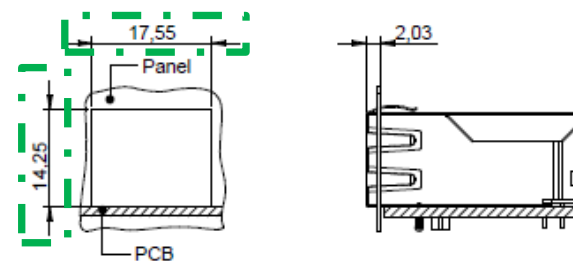
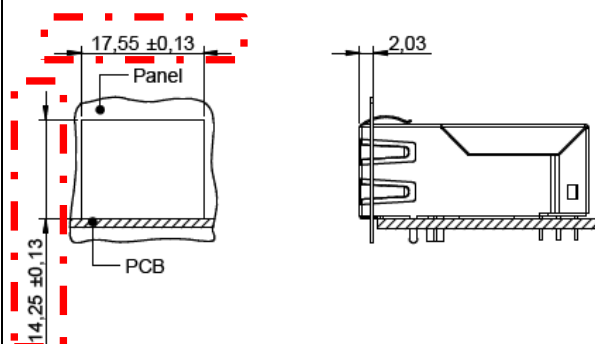
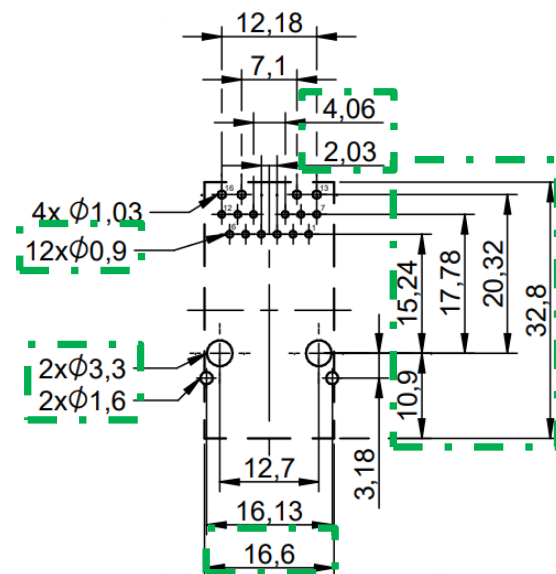
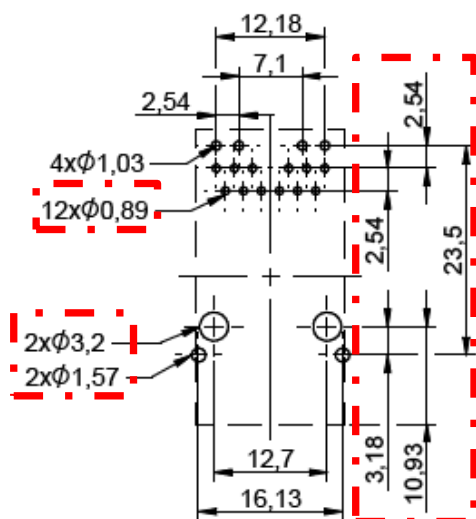
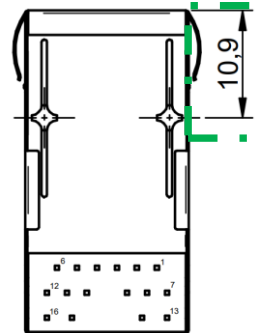
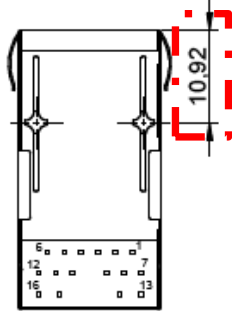
After correction



7499111612A

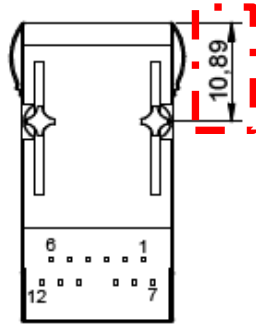
Before correction

After correction

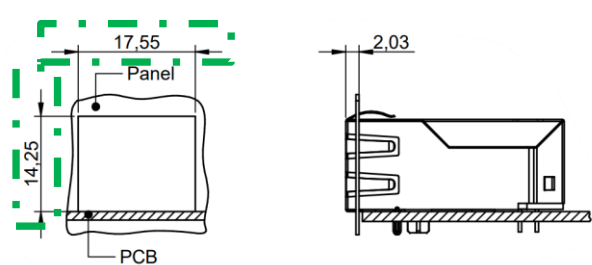
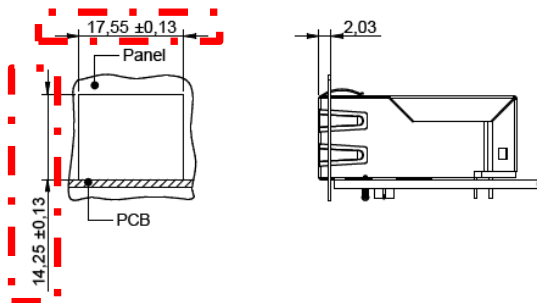
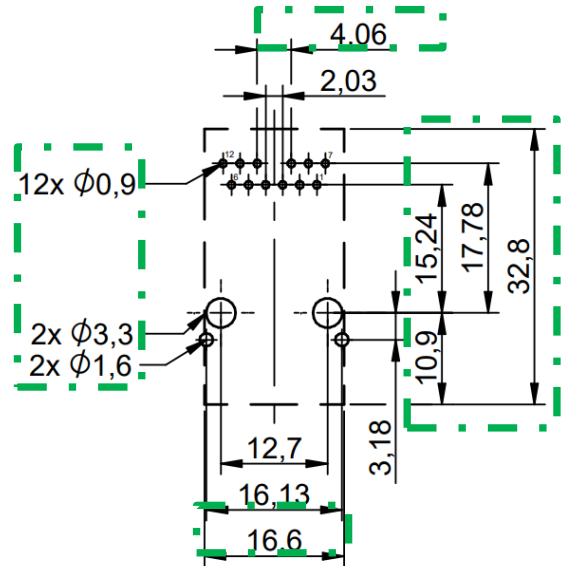
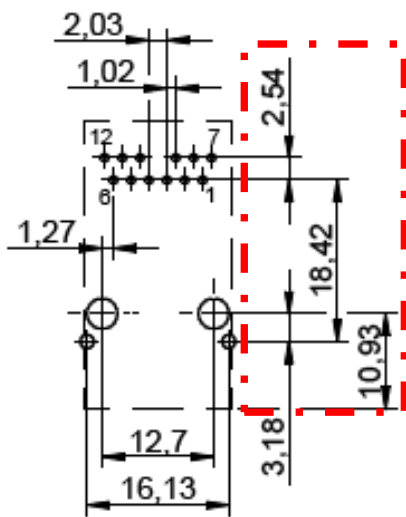
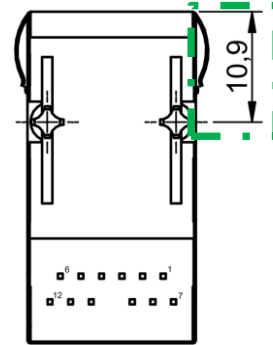


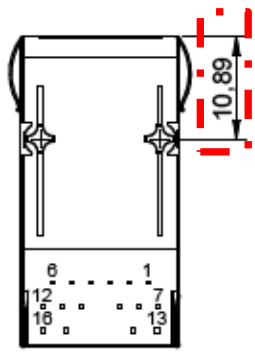
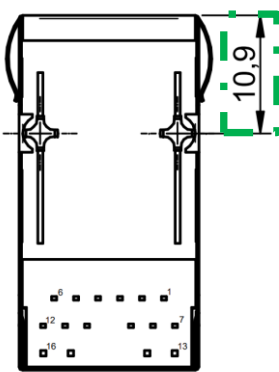
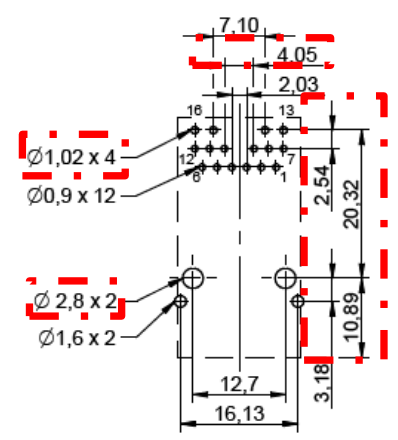
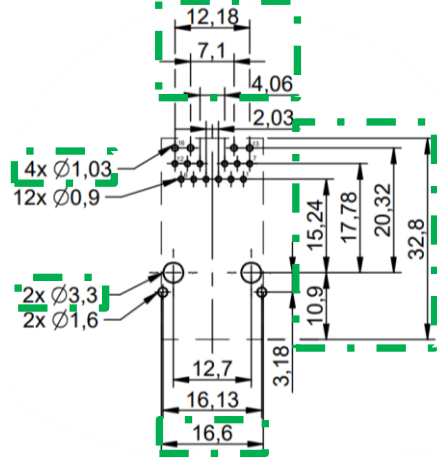
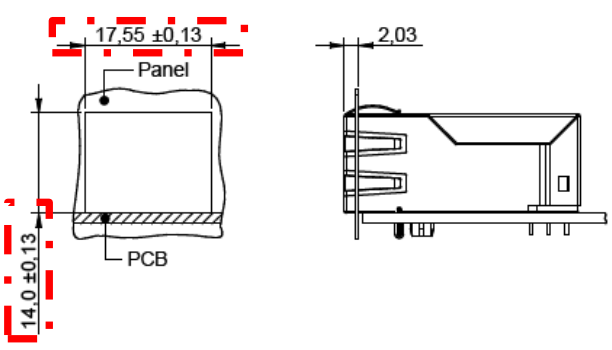
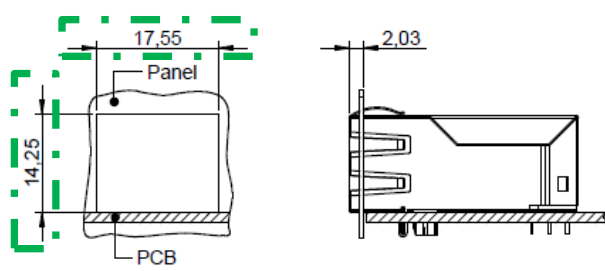
7499111005A

Before correction



After correction

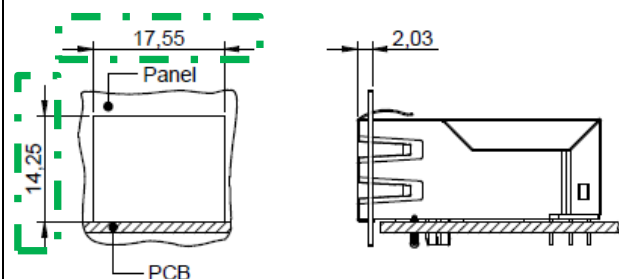
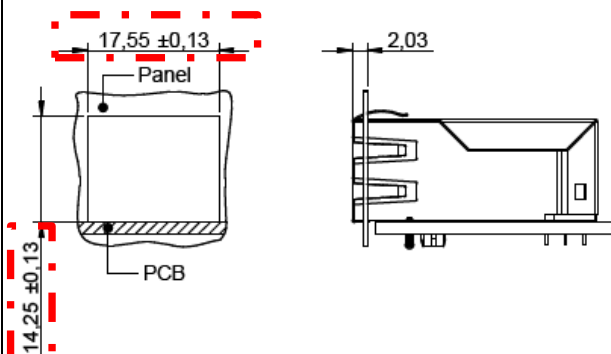
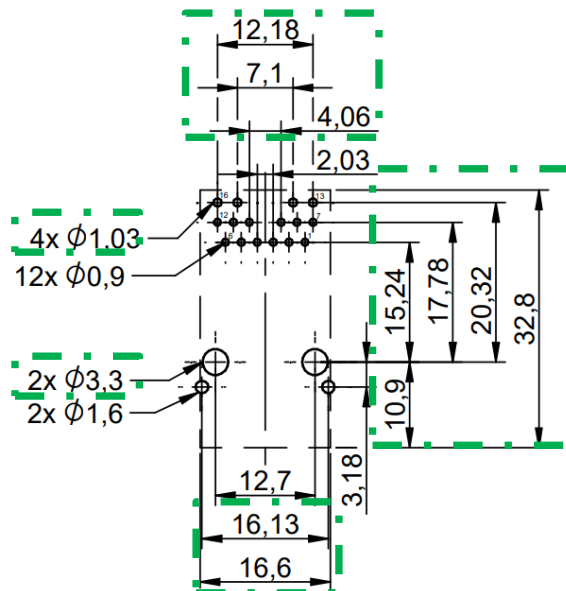
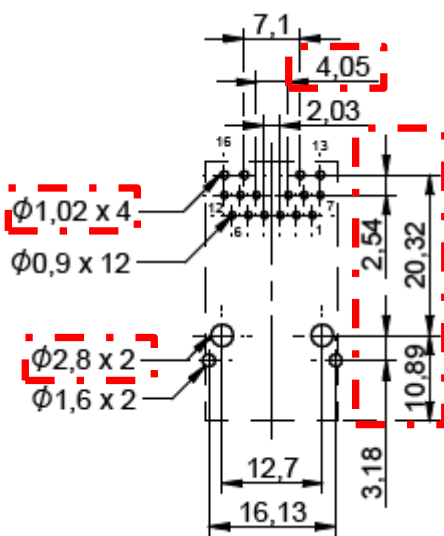
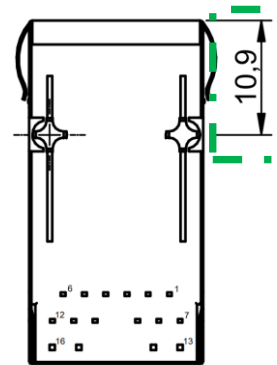
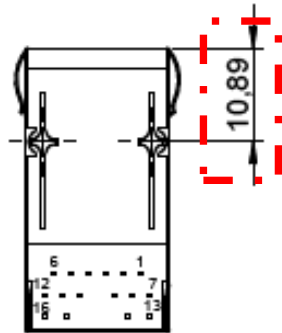


7499111421A Before correction	After correction
 <p>Top view of the component before correction. A red dashed box highlights a dimension of 10.89 mm on the right side. The component has a rectangular shape with a central slot and two vertical pins. A pinout diagram below shows 16 pins numbered 1 through 16.</p>	 <p>Top view of the component after correction. A green dashed box highlights a dimension of 10.9 mm on the right side. The component is identical to the 'Before correction' version but with the corrected dimension.</p>
 <p>Pinout diagram for the component before correction. Dimensions are shown in red dashed boxes. Key dimensions include: 7.10 mm (total width), 4.05 mm (width of top pins), 2.03 mm (width of bottom pins), 12.7 mm (width of bottom pins), 16.13 mm (width of bottom pins), 10.89 mm (height of bottom pins), 2.54 mm (height of top pins), 20.32 mm (height of top pins), 3.18 mm (height of bottom pins), 10.9 mm (height of bottom pins), 2.8 x 2 mm and 1.6 x 2 mm (diameters of bottom pins), and 1.02 x 4 mm and 0.9 x 12 mm (diameters of top pins).</p>	 <p>Pinout diagram for the component after correction. Dimensions are shown in green dashed boxes. Key dimensions include: 12.18 mm (total width), 7.1 mm (width of top pins), 4.06 mm (width of top pins), 2.03 mm (width of bottom pins), 12.7 mm (width of bottom pins), 16.6 mm (width of bottom pins), 10.9 mm (height of bottom pins), 3.18 mm (height of bottom pins), 15.24 mm (height of top pins), 17.78 mm (height of top pins), 20.32 mm (height of top pins), 32.8 mm (total height), 2x Ø3.3 mm and 2x Ø1.6 mm (diameters of bottom pins), 4x Ø1.03 mm and 12x Ø0.9 mm (diameters of top pins).</p>
 <p>Panel and PCB assembly diagram before correction. The panel width is 17.55 ± 0.13 mm. The PCB height is 14.0 ± 0.13 mm. The panel height is 2.03 mm. The assembly is shown in a perspective view.</p>	 <p>Panel and PCB assembly diagram after correction. The panel width is 17.55 mm. The PCB height is 14.25 mm. The panel height is 2.03 mm. The assembly is shown in a perspective view.</p>

7499111610A

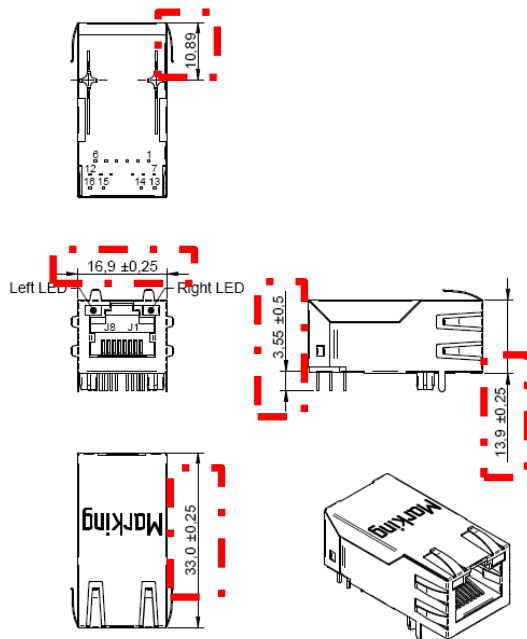
Before correction

After correction

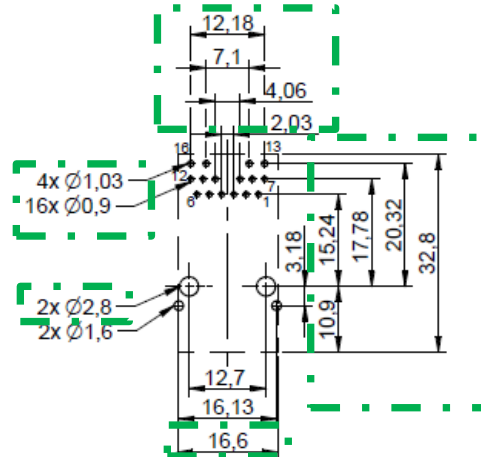
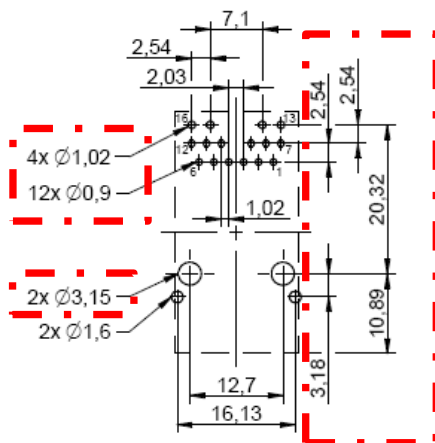
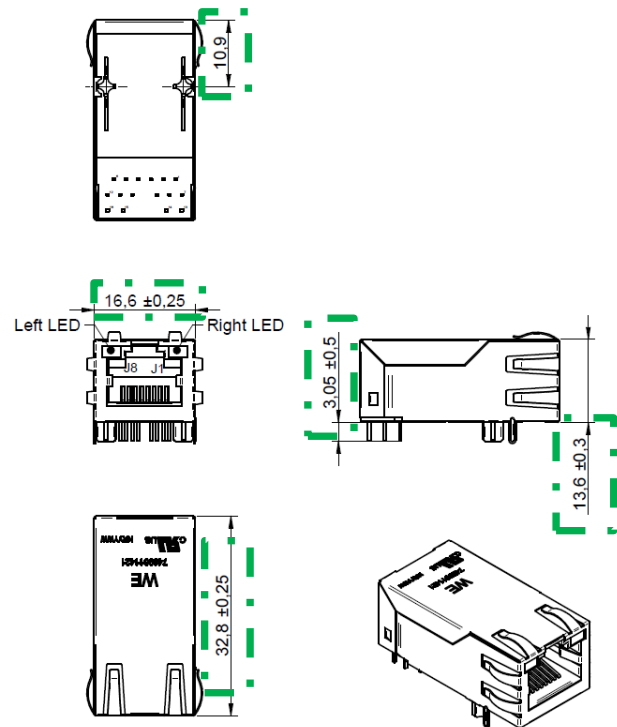


7499611421

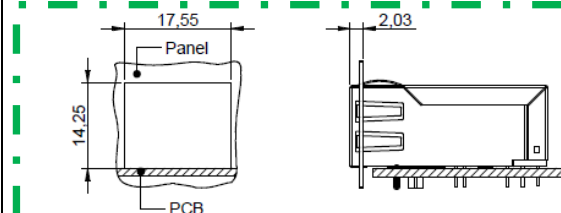
Before correction



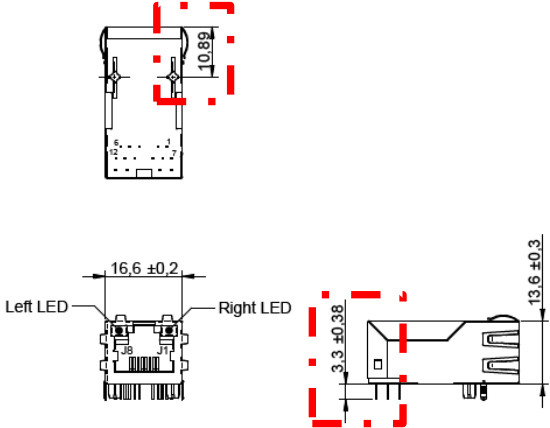
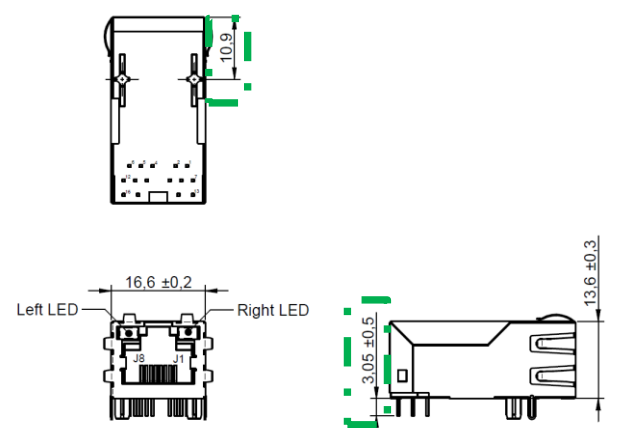
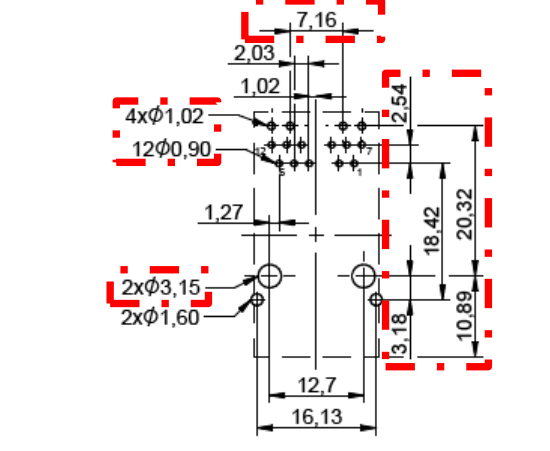
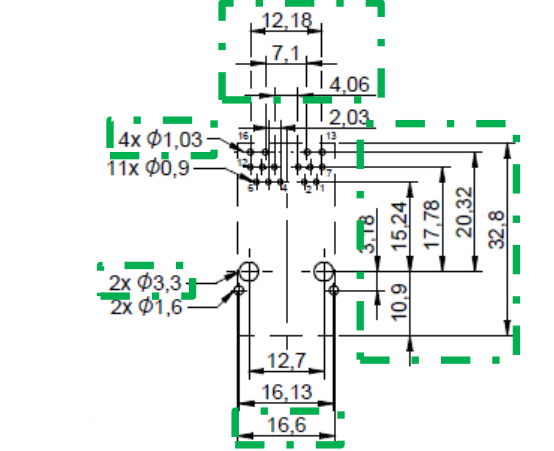
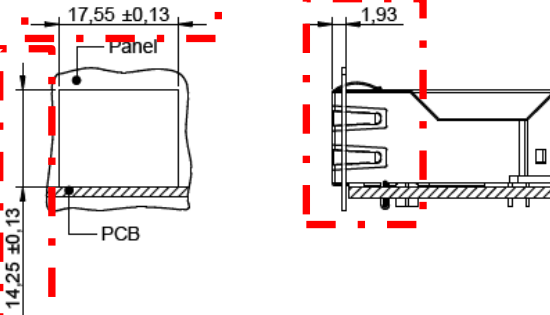
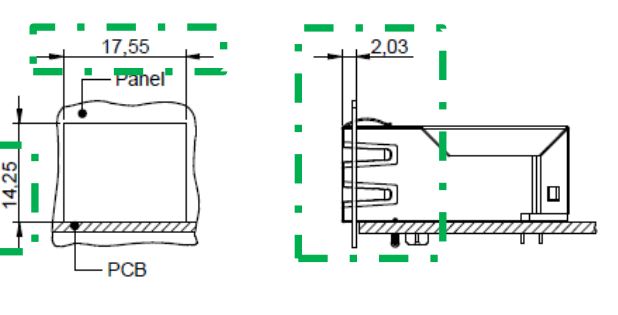
After correction

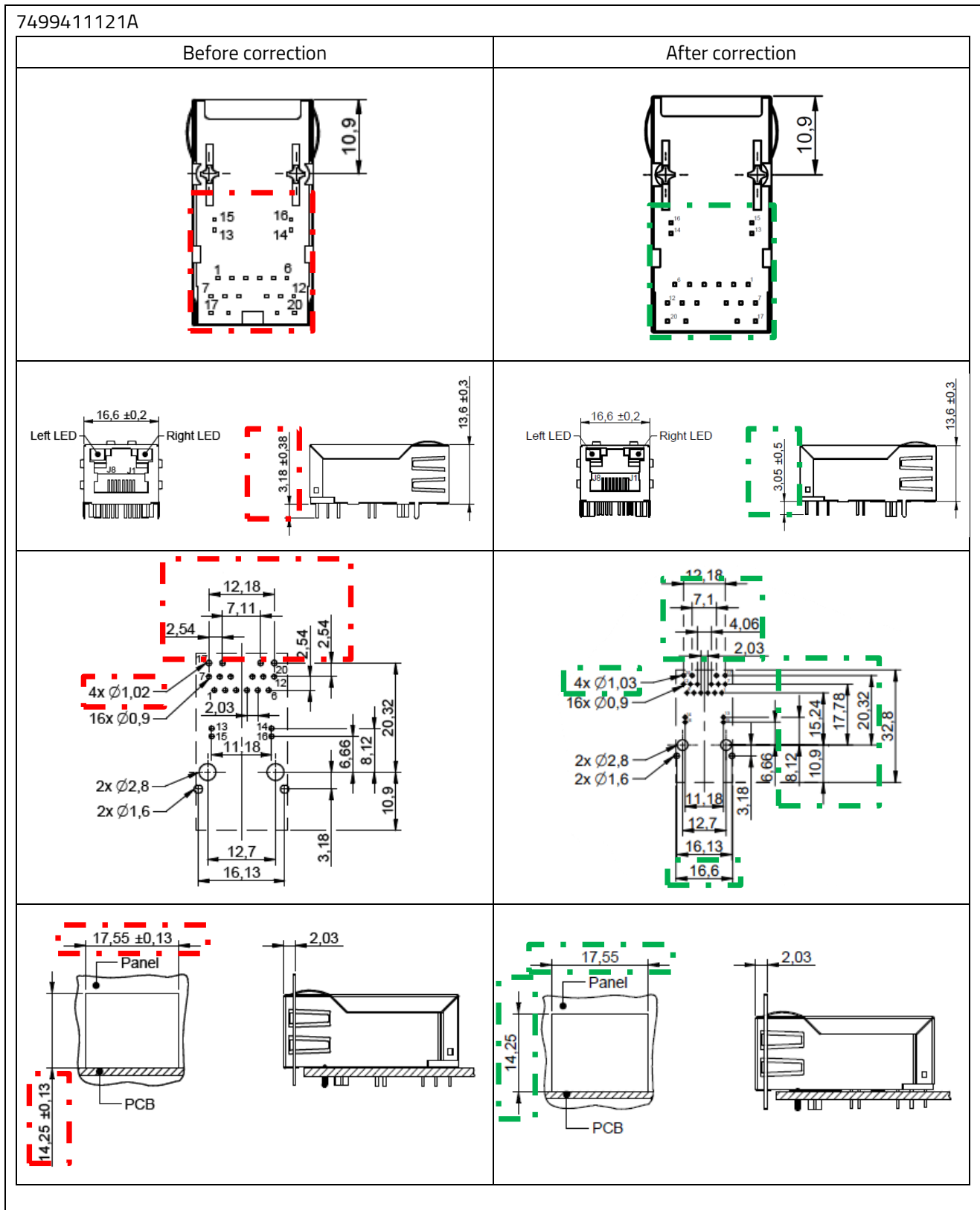


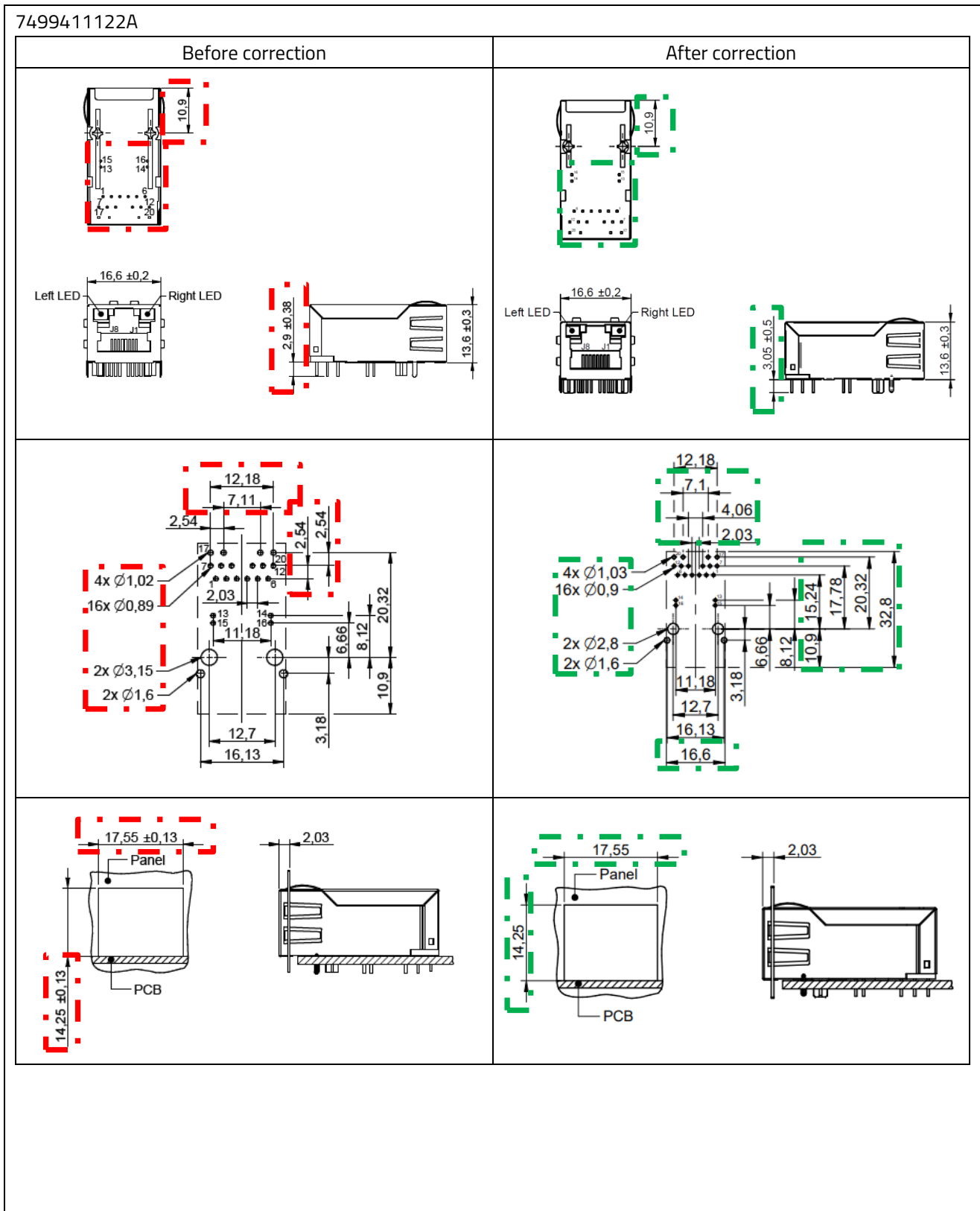
Recommended Panel Cutout fehlt



7499211261

Before correction	After correction
	
	
	

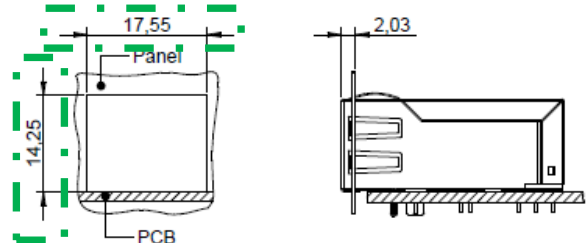
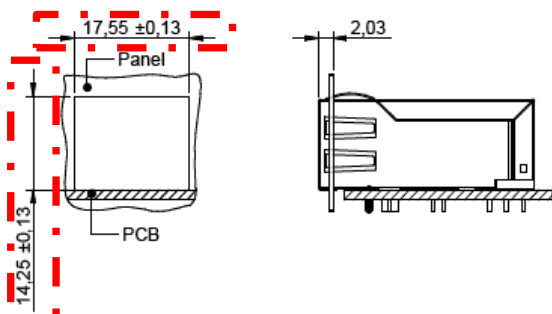
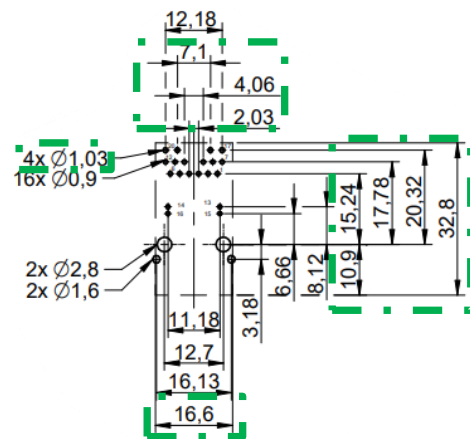
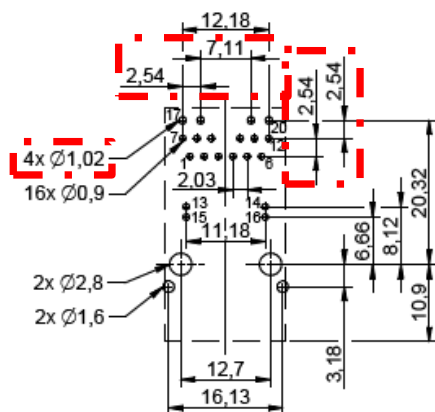
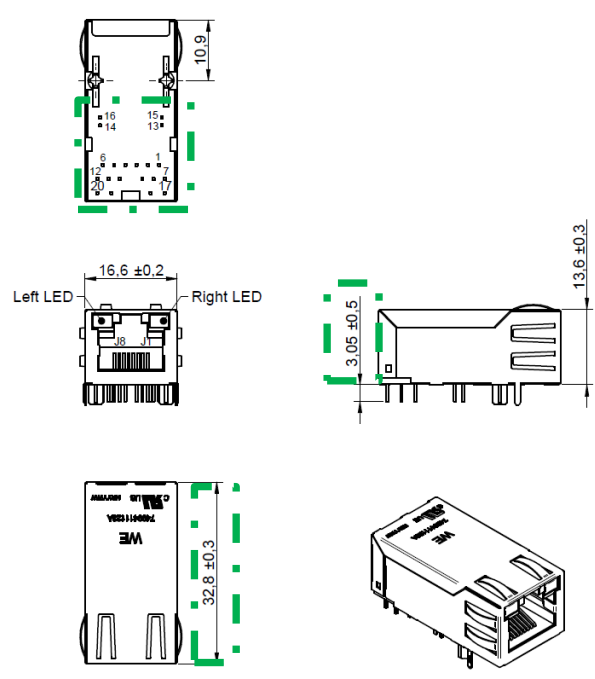
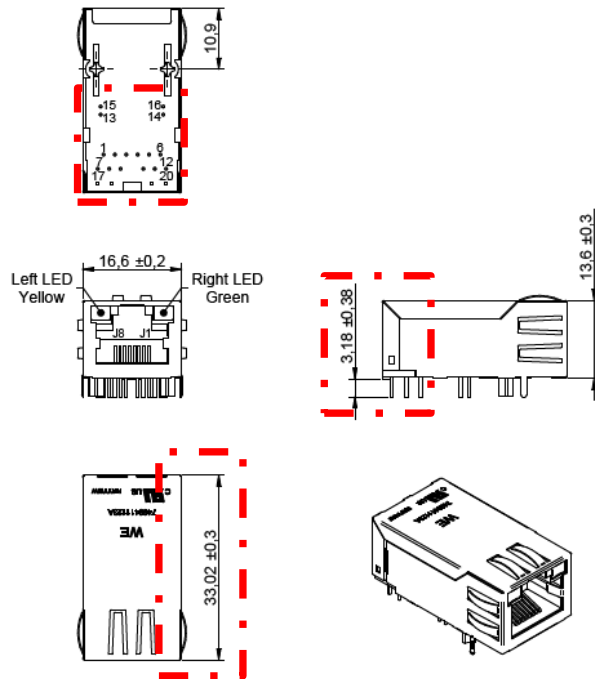


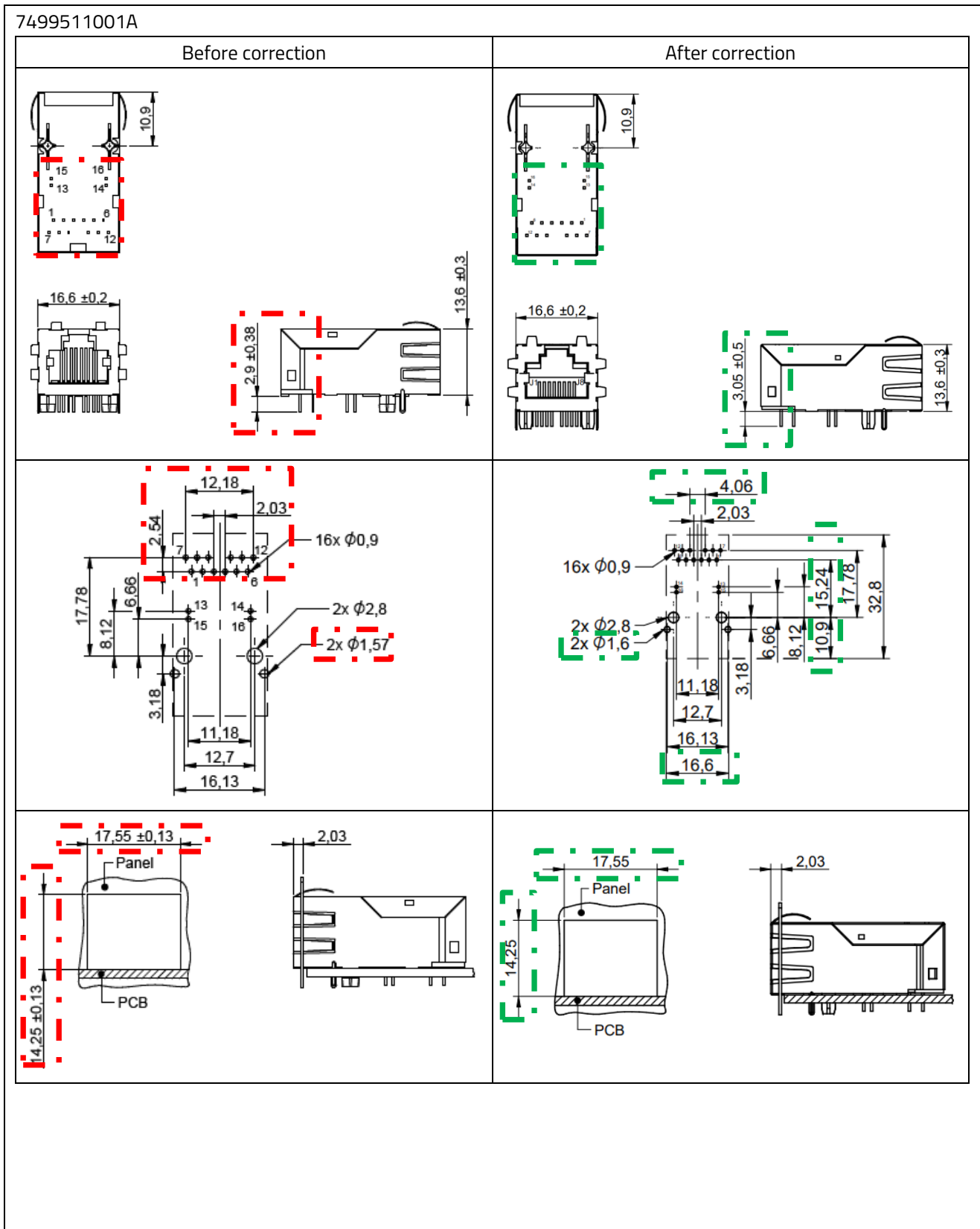


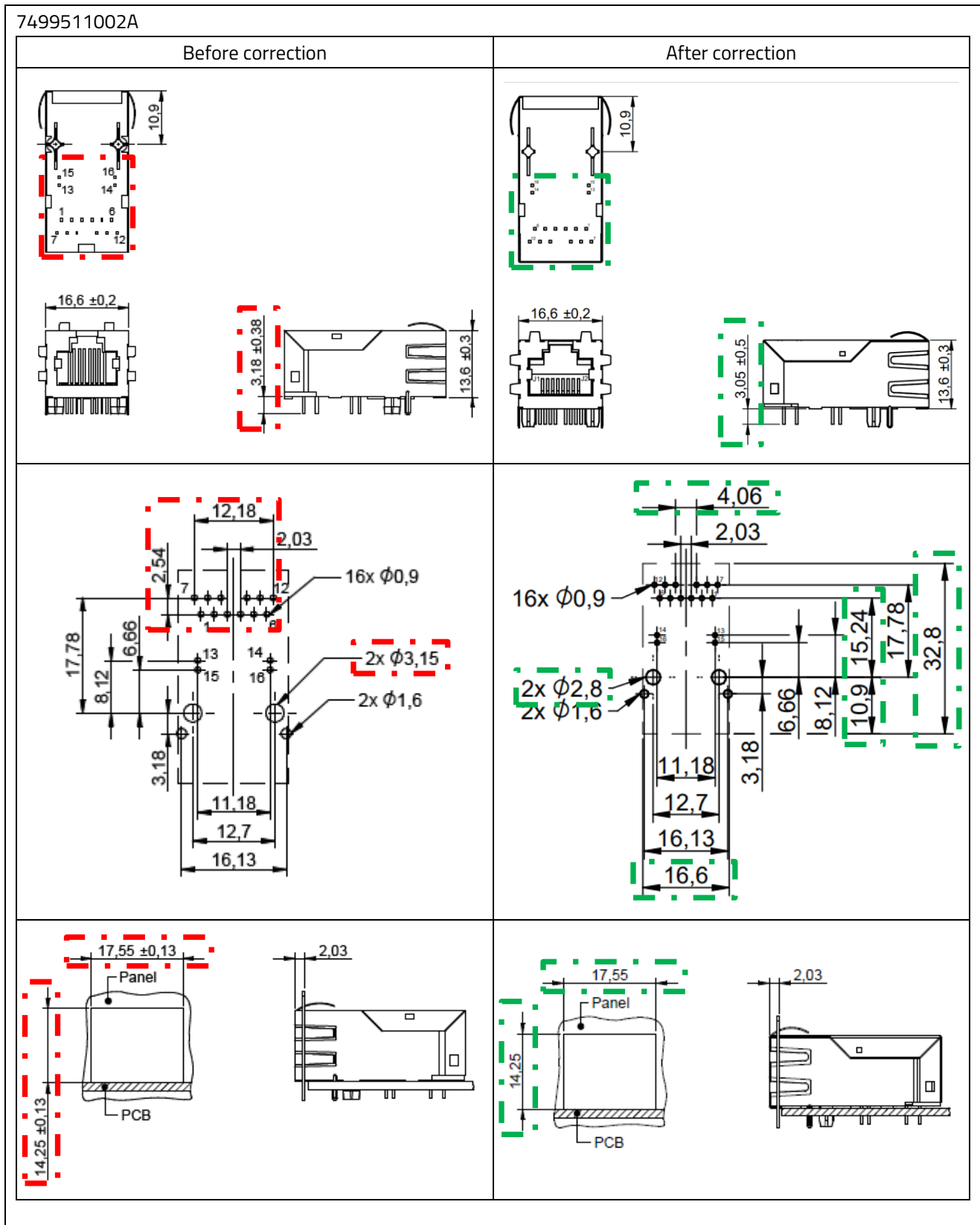
7499411123A

Before correction

After correction



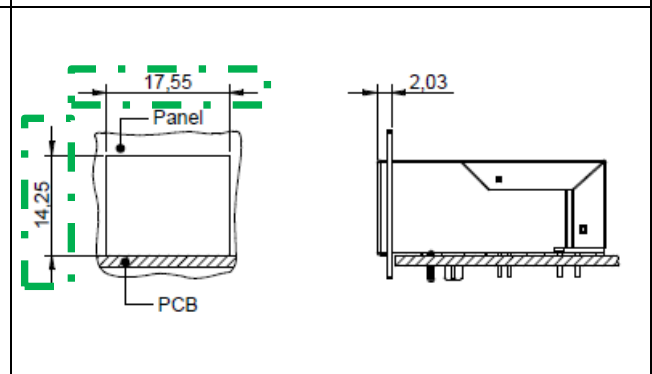
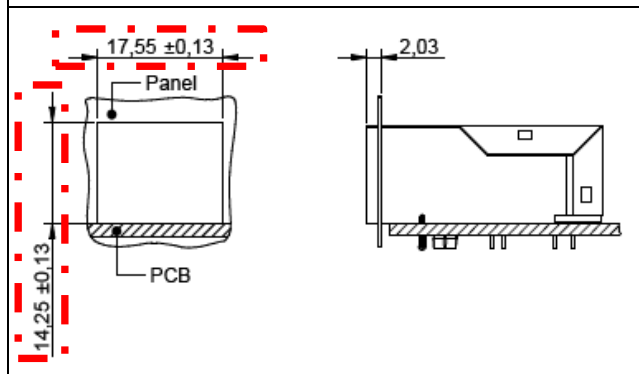
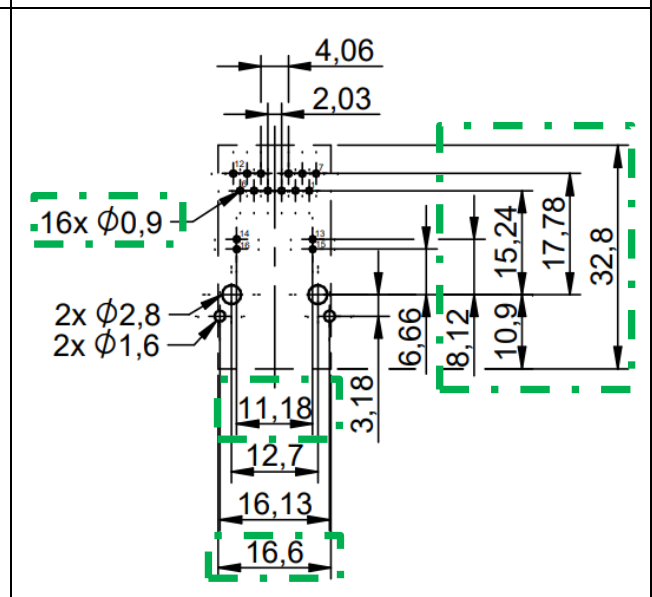
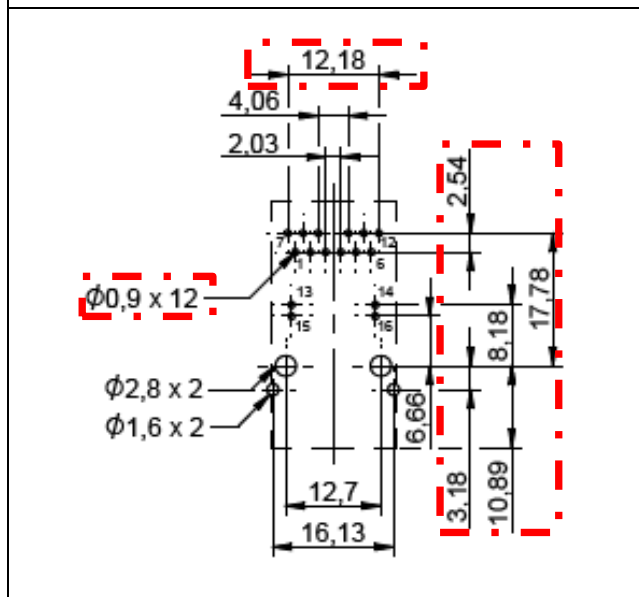
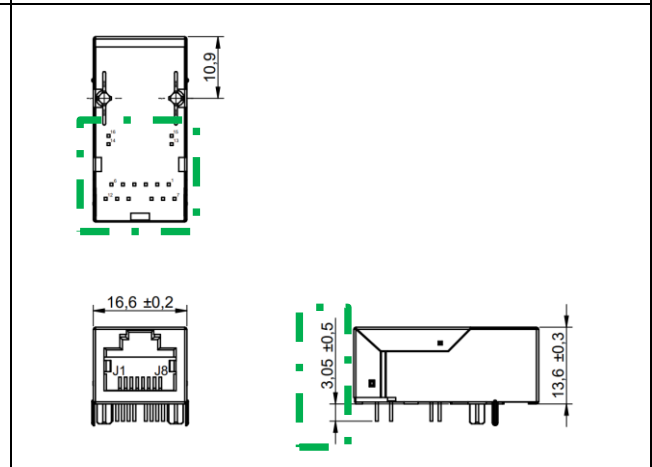
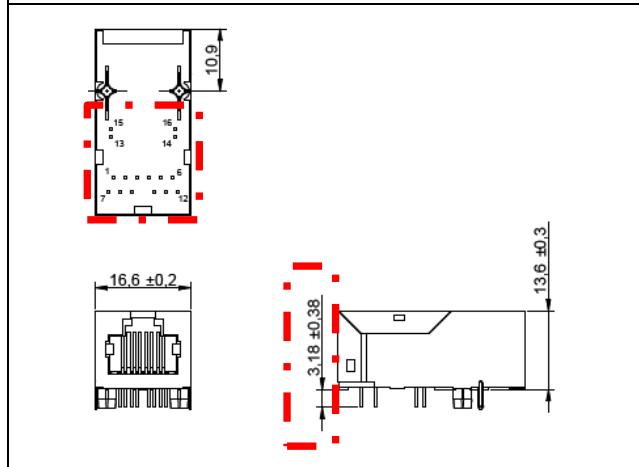




7499510002

Before correction

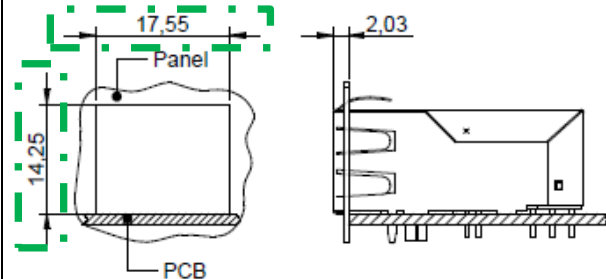
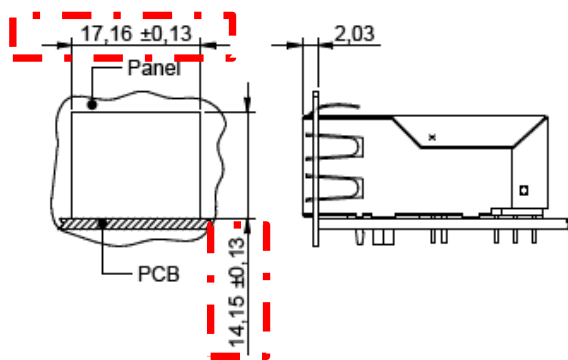
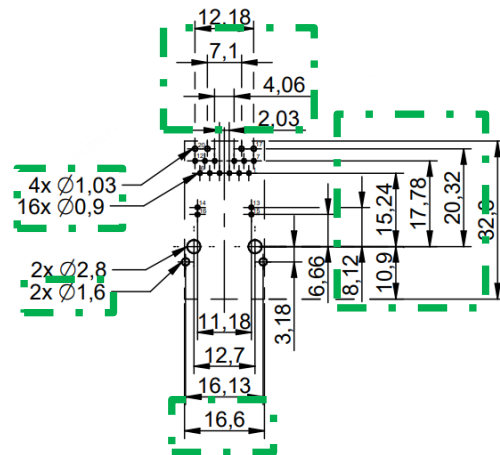
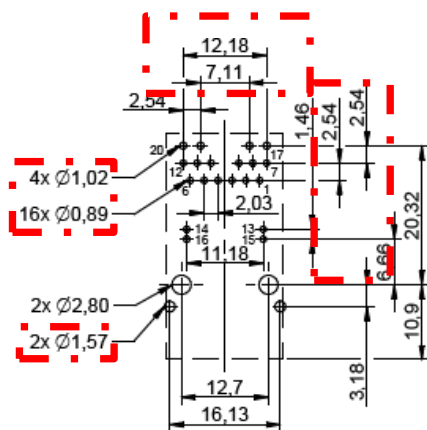
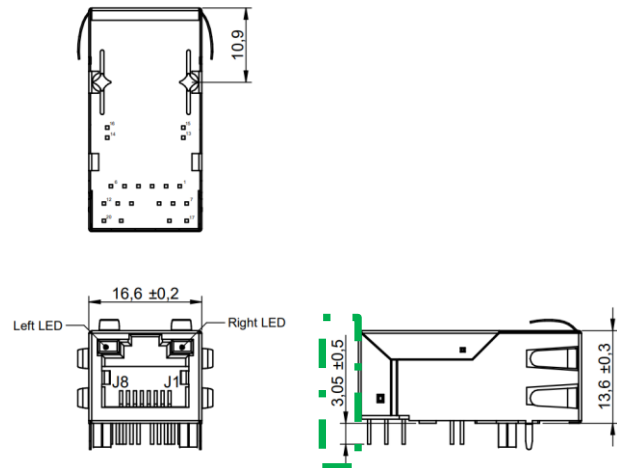
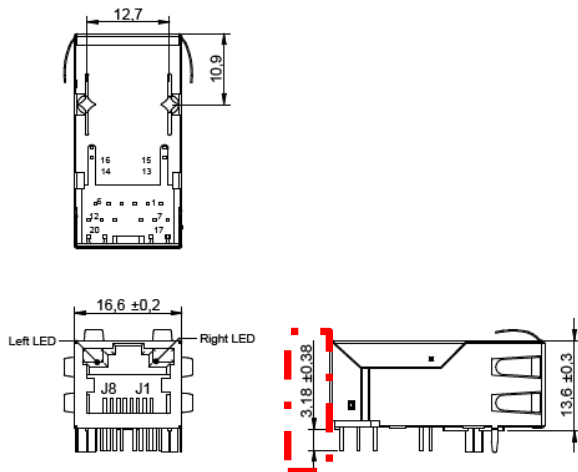
After correction



7499511611A

Before correction

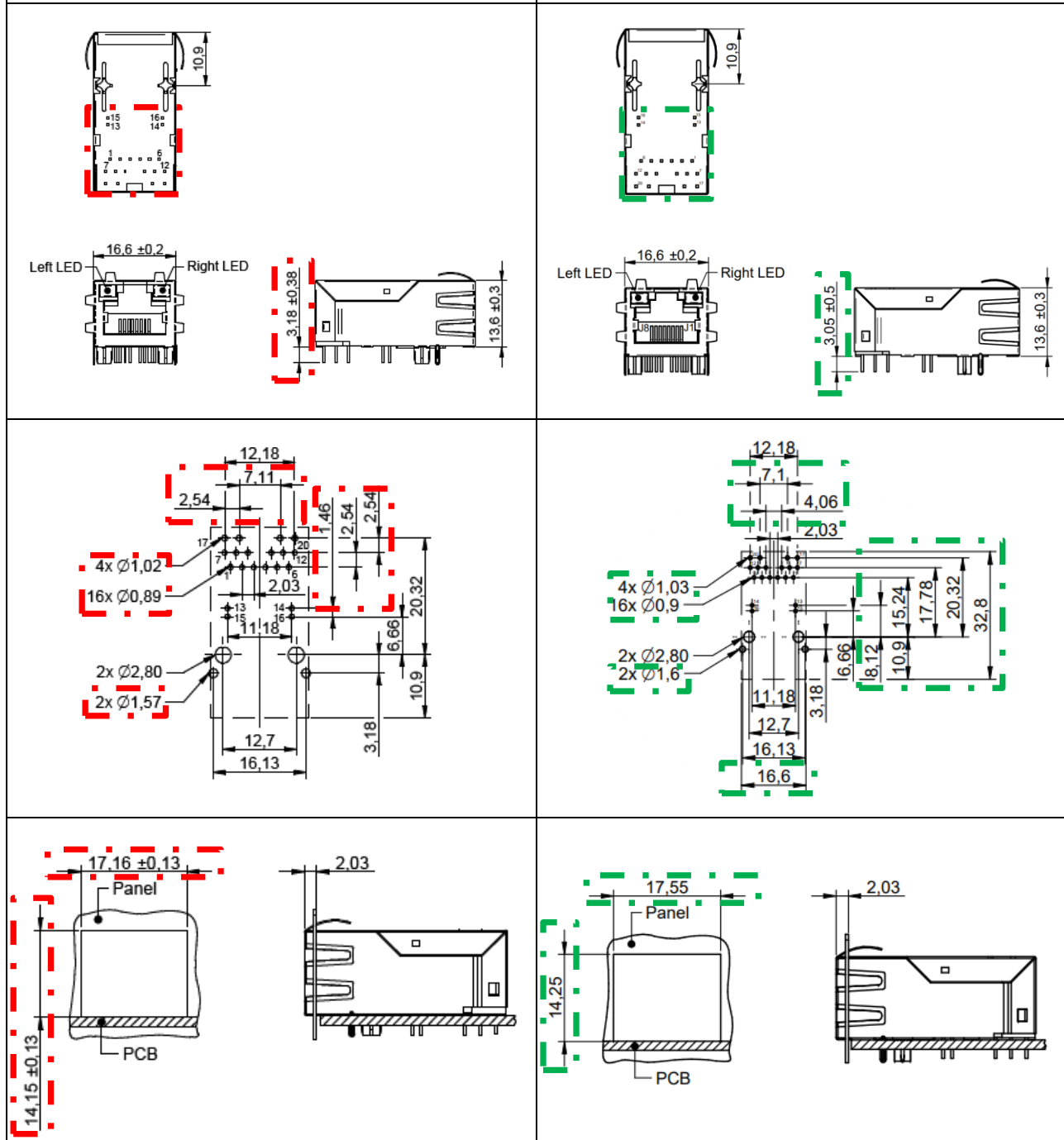
After correction



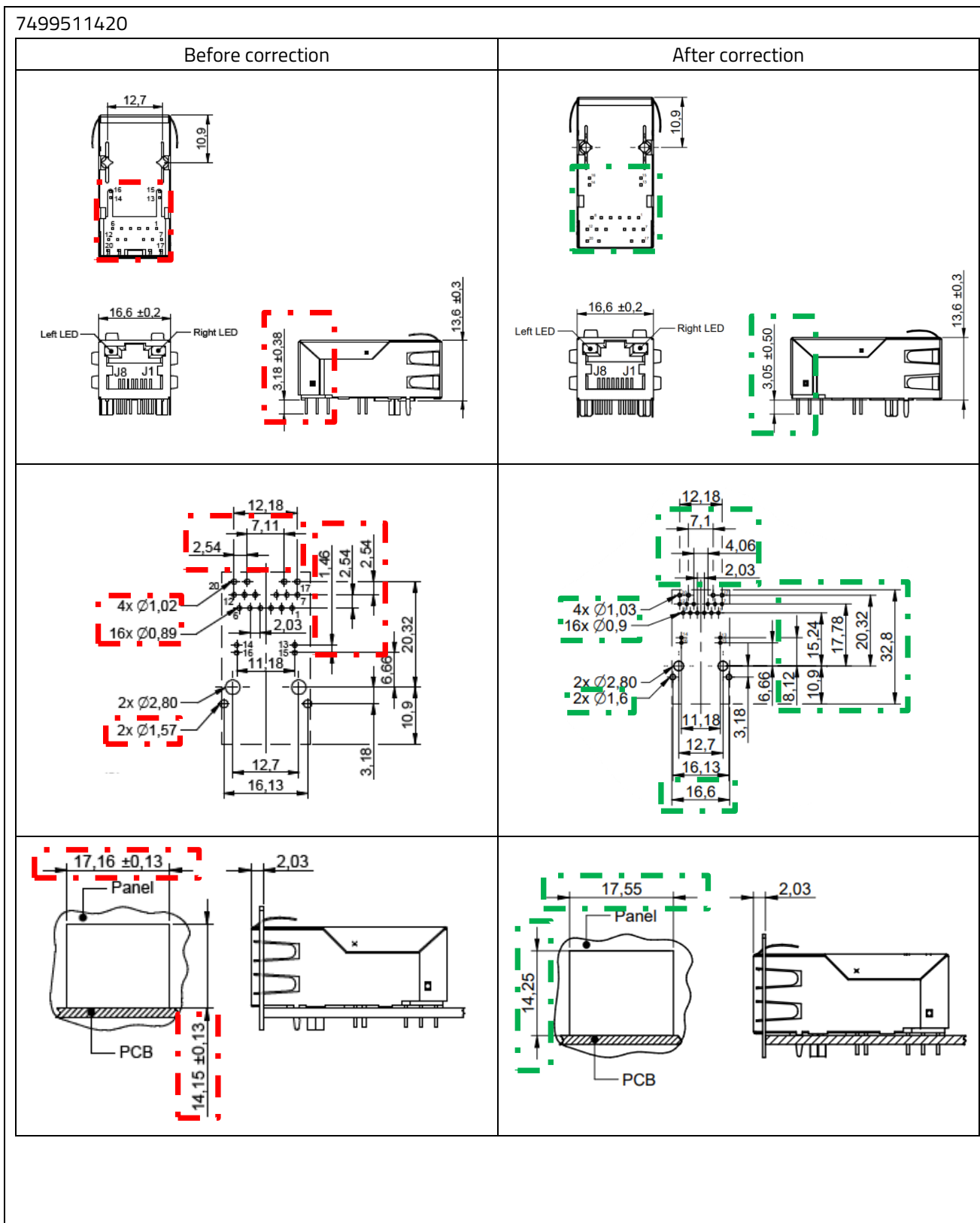
7499511440

Before correction

After correction

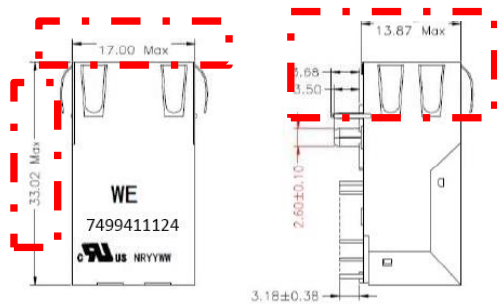


7499511420

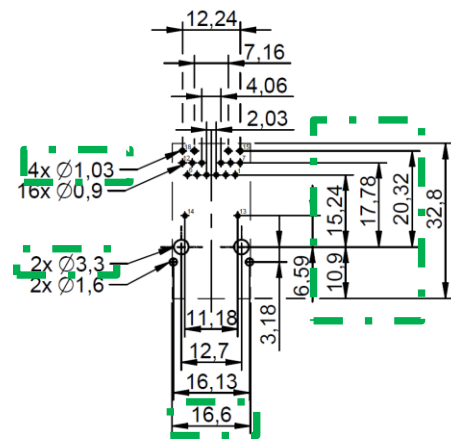
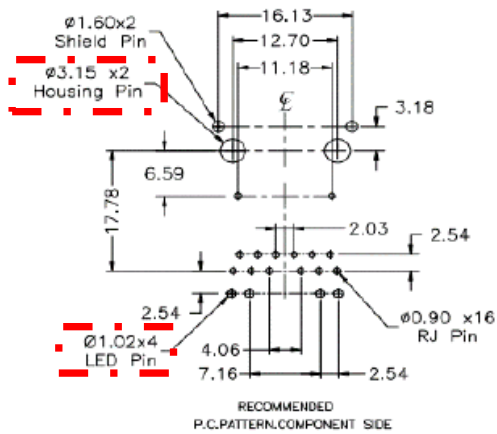
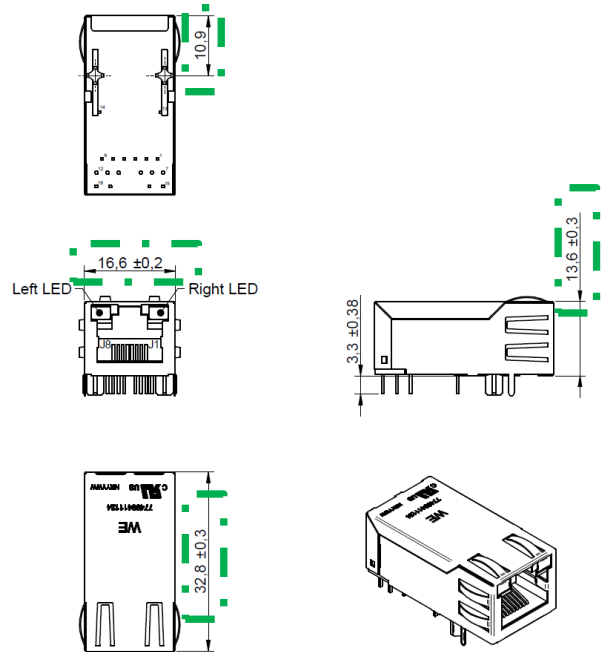


7499411124

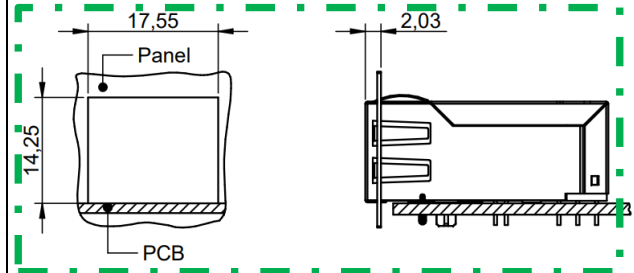
Before correction



After correction



Panel cut out missing





Affected P/Ns:

7499111614A	7499111000A	7499111620	7499111221A	7499111612A
7499111005A	7499111421A	7499111610A	7499611421	7499211261
7499411121A	7499411122A	7499411123A	7499511001A	7499511002A
7499510002	7499511611A	7499511440	7499511420	7499411124

Reliability / Qualification Summary:

There will be no change of the product, therefore no additional reliability or qualification testing will be performed.