

安费诺(常州)电子有限公司
Amphenol (Changzhou) Electronics Co.Ltd.

Customer Notification of Change 客户变更通知
(ECN NO:ECNG22101002)

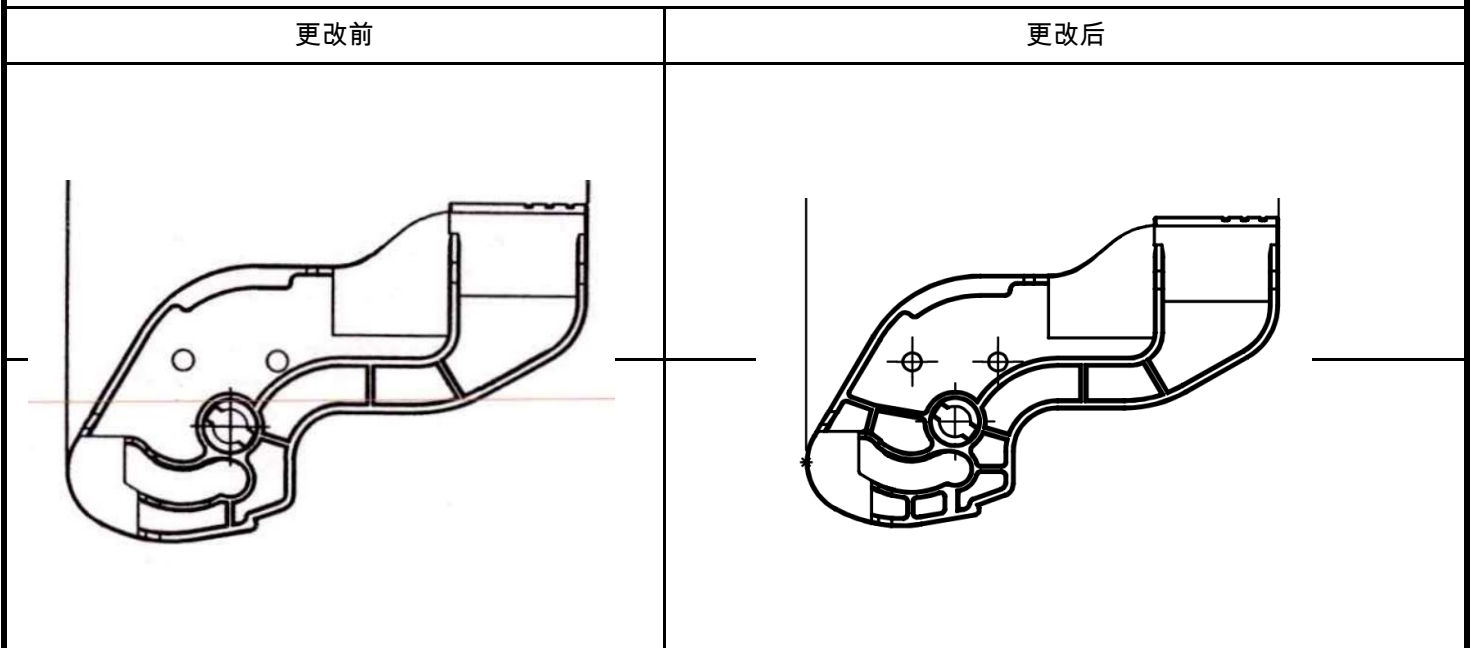
Amphenol TPI would like to inform you the following change to the listed Amphenol product, In case of any futhuer questions about this change, please contact the initiator for this change. Email: Murray.wang@amphenol-gec.com

产品系列 Product Serial: PwrLok 10mm-90 2POS&3POS Plug Conn

变更目的 (Purpose of Change)

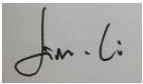
改善摇杆结构，增加强度(Improve rocker structure and increase strength)

变更内容 (Change Summary)



受影响的料号 Part Number Affected

Part number	Part Number Discontinued	New Customer Drawing Revision	Substitute Part Number
PL282(X)-30(1)-XX	N/A	G	N/A
PL582(X)-30(1)-XX	N/A	B	N/A
PL282(X)-30(1)-XX-5	N/A	F	N/A
EX-HA002507	N/A	B	N/A
EX-HA002508	N/A	B	N/A
AC-CP000933	N/A	A	N/A
PL282(X)-301-50-JK	N/A	2	N/A
PL282(X)-301-50-S3	N/A	2	N/A
PL282(X)-301-70-G27	N/A	3	N/A
AC-CP000936	N/A	A	N/A
PL283(X)-30(1)-XX	N/A	H	N/A
PL583(X)-30(1)-XX	N/A	B	N/A
EX-HA000864	N/A	C	N/A

EX-HA002603	N/A	C	N/A
PL283(X)-30(1)-XX-5	N/A	I	N/A
制表 Initiator: murray.wang		日期 Date:2022/10/10	
审批 Approval: 		日期 Date:2022/10/10	
切换时间Switching time		日期 Date:2022/10/10	
备注 Note:Switching is a gradual process, 2POS has been switched, 3POS is expected to switch on 12/20.			