

ATMEGA128 DEVELOPMENT BOARD / Part number JMS2206

This board is designed around the ATMEL ATMEGA128, running via a 4MHz crystal. All connections have been brought out to 8 way connectors. A 10 way IDC is included to directly interface to a JTAG emulator/programmer (not supplied). Power is via an external DC power supply (not supplied). The board has an integral 5-volt linear regulator, with LED DC on indicator.

It is so simple just plug and go.

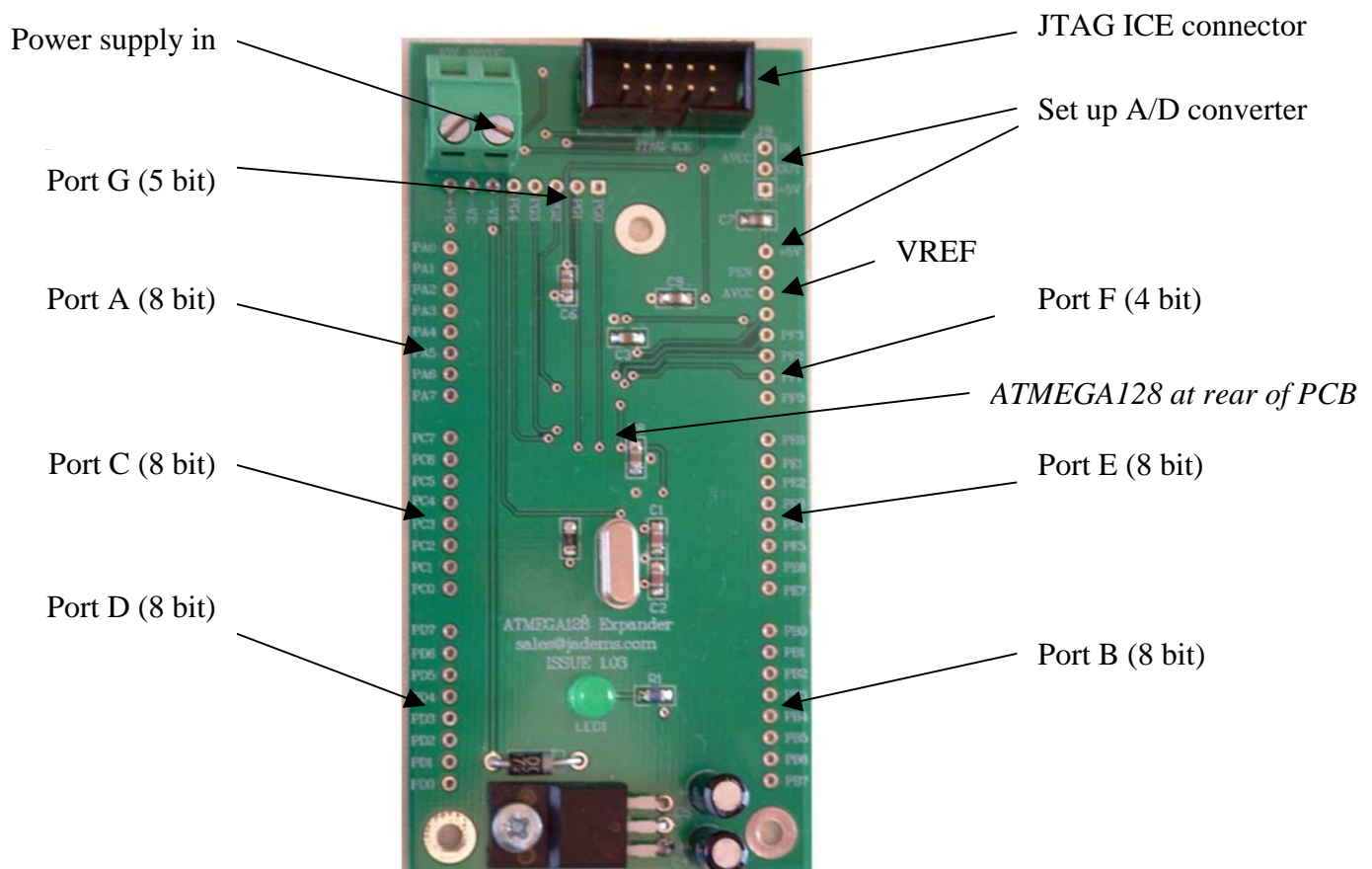
The ATMEGA128 has the following features: -

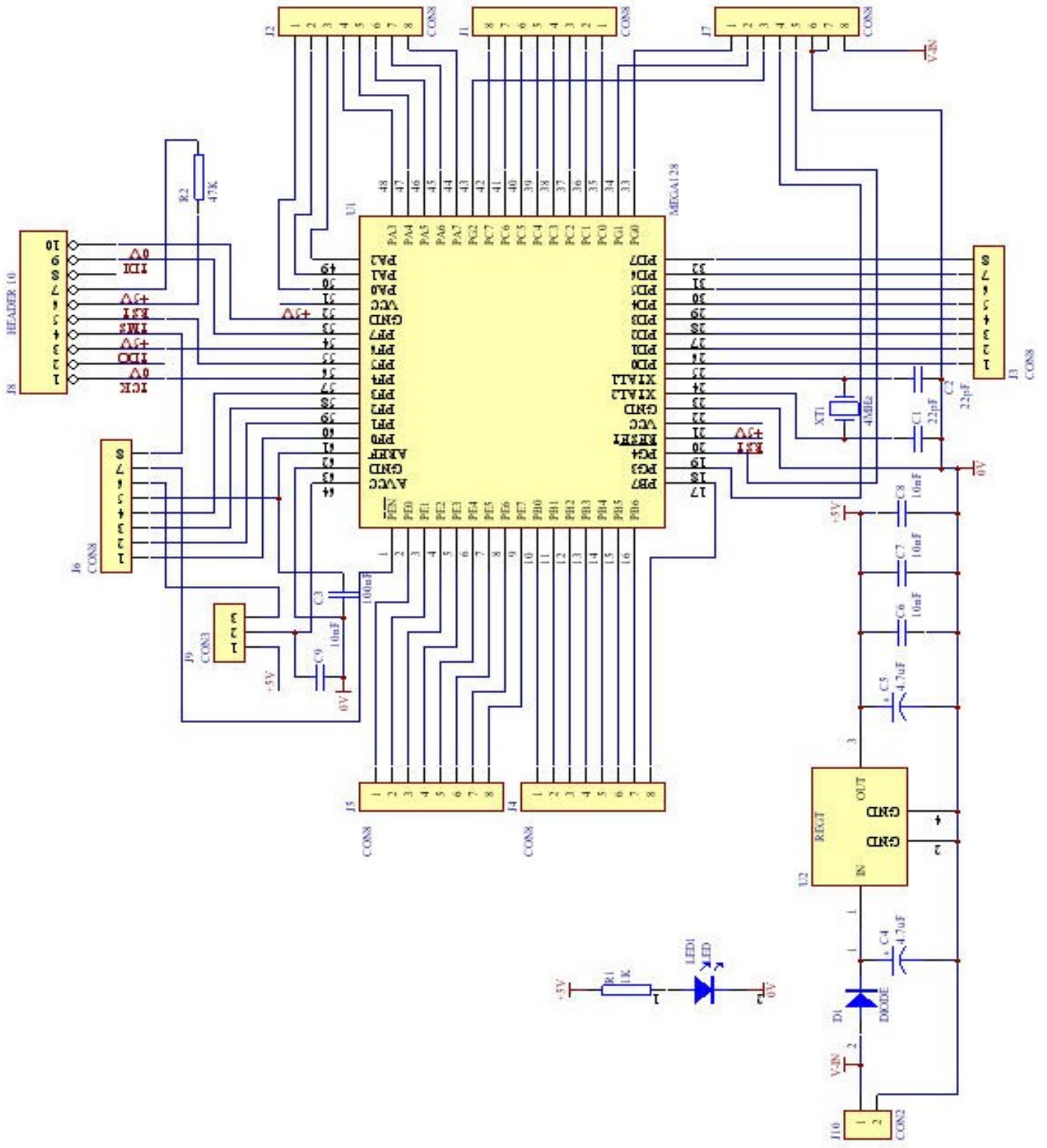
- 128Kbyte of programme flash, 4Kbyte EEPROM.
- Onboard oscillator, however there is a 4MHz crystal supplied.
- 5 off 8 bit input/output ports, 1 off 5 bit port, 1 off 4 bit port.

Some of the above ports incorporate the following features: -

- 2 Serial UARTS.
- 1 SPI port.
- 2 PWM channels.
- 8 off 10 bit A/D converter.
- 1 off comparator.
- Up to eight external interrupts

For more details see www.atmel.com.





Jade Microsystems Ltd, 6 Hughenden Ave, Kenton, Middx HA3 8HA.
 E-mail: sales@jadems.com Tel: 020 8621 8610 Fax: 020 8930 6905

Connection holes are all 0.1" apart



Regulator is 5 volts
Crystal is 4MHz

