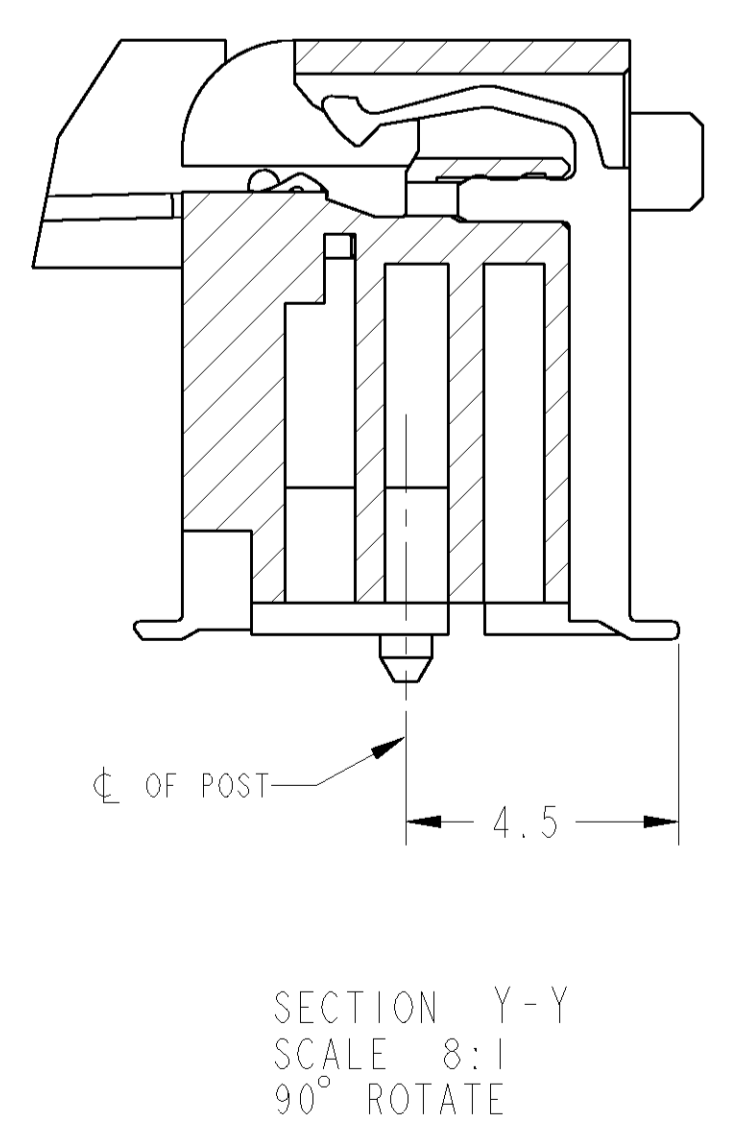
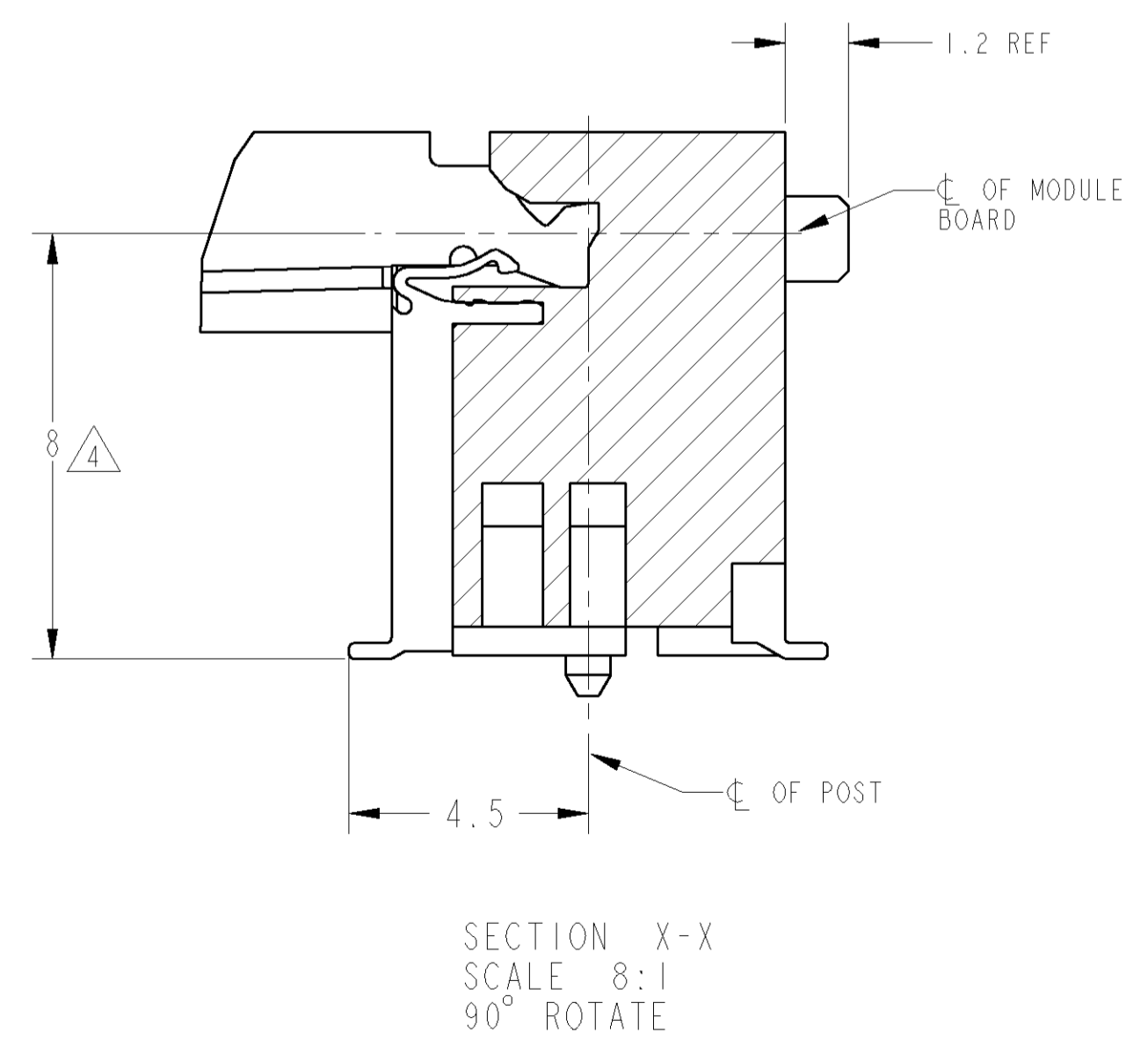
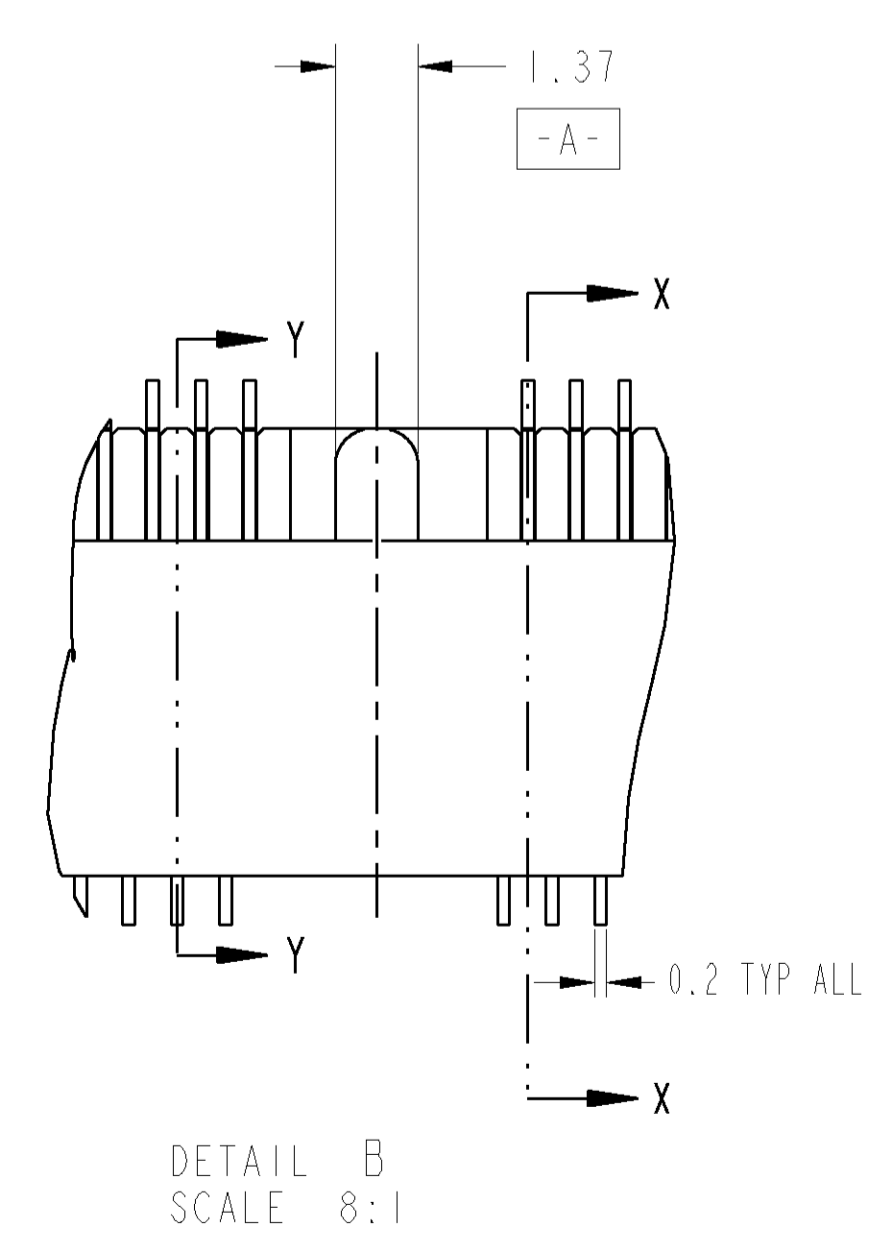
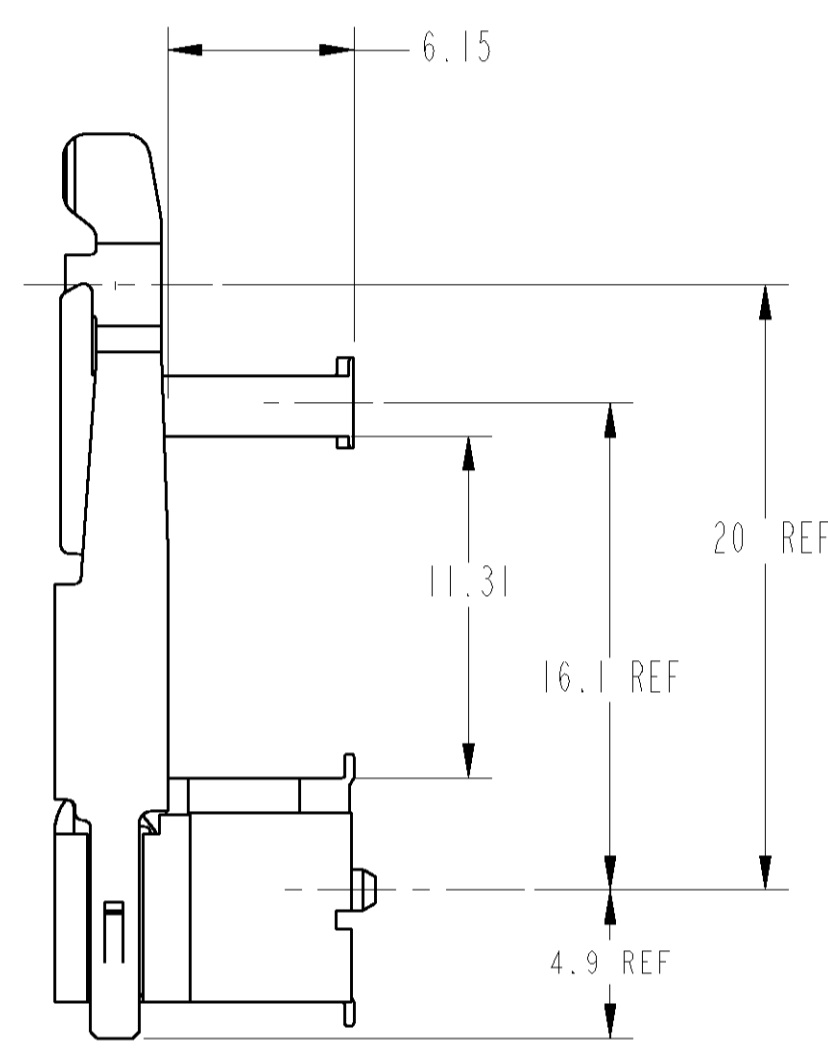
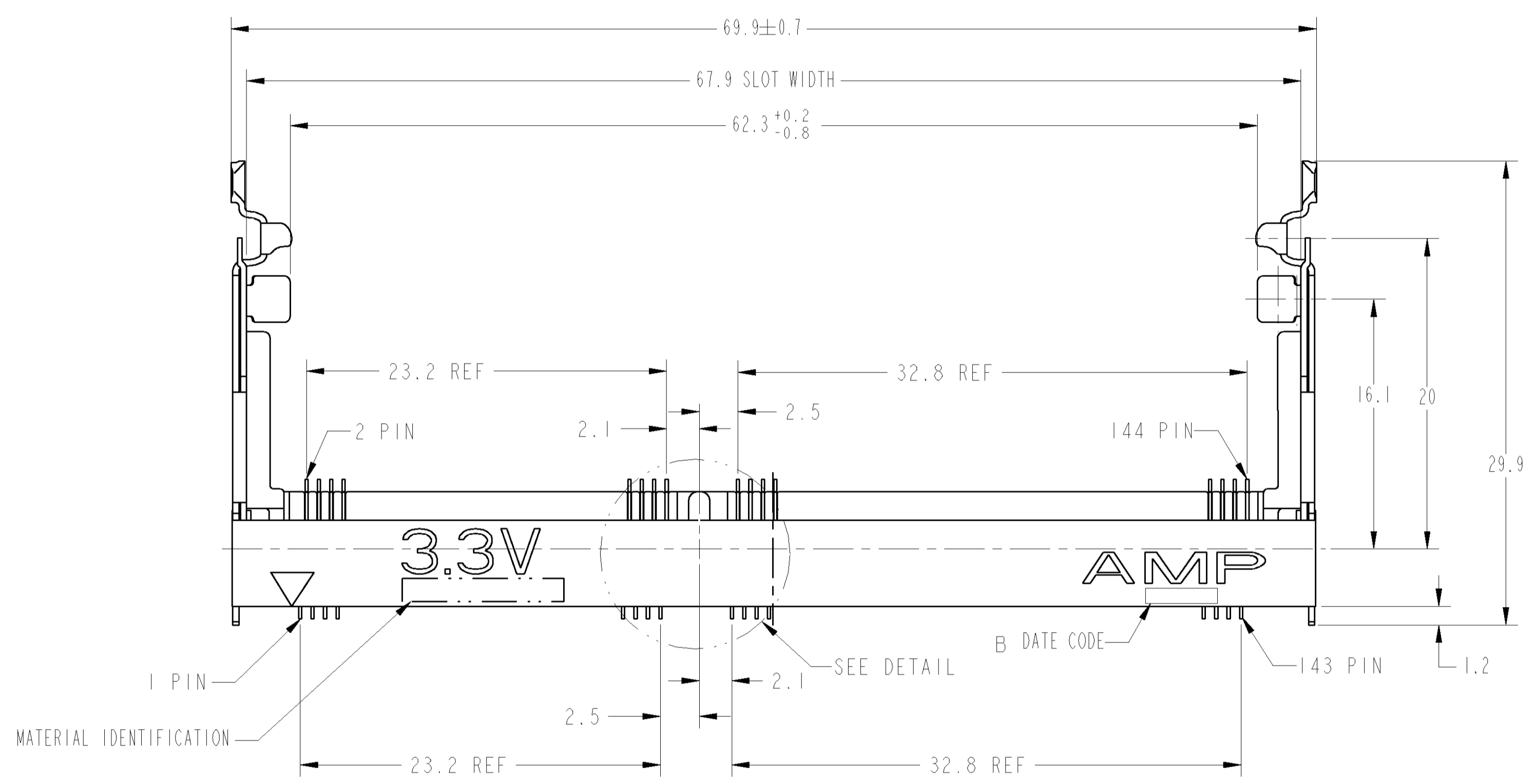
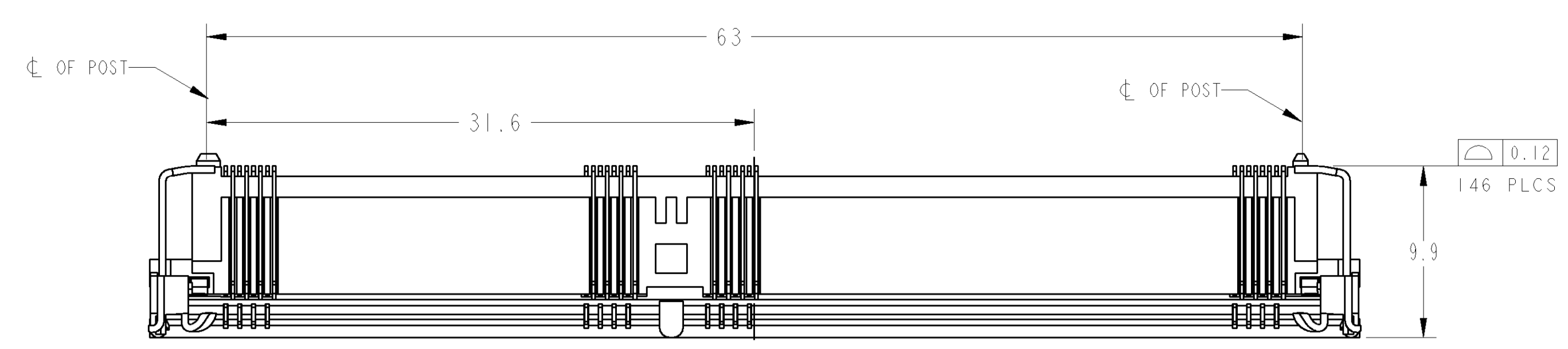


LOC		DIST		REVISIONS			
REV	BY	DATE	DESCRIPTION	DATE	BY	REV	APPROV
K			REVISED ECR-05-012431	05OCT05	SYJ	LSF	



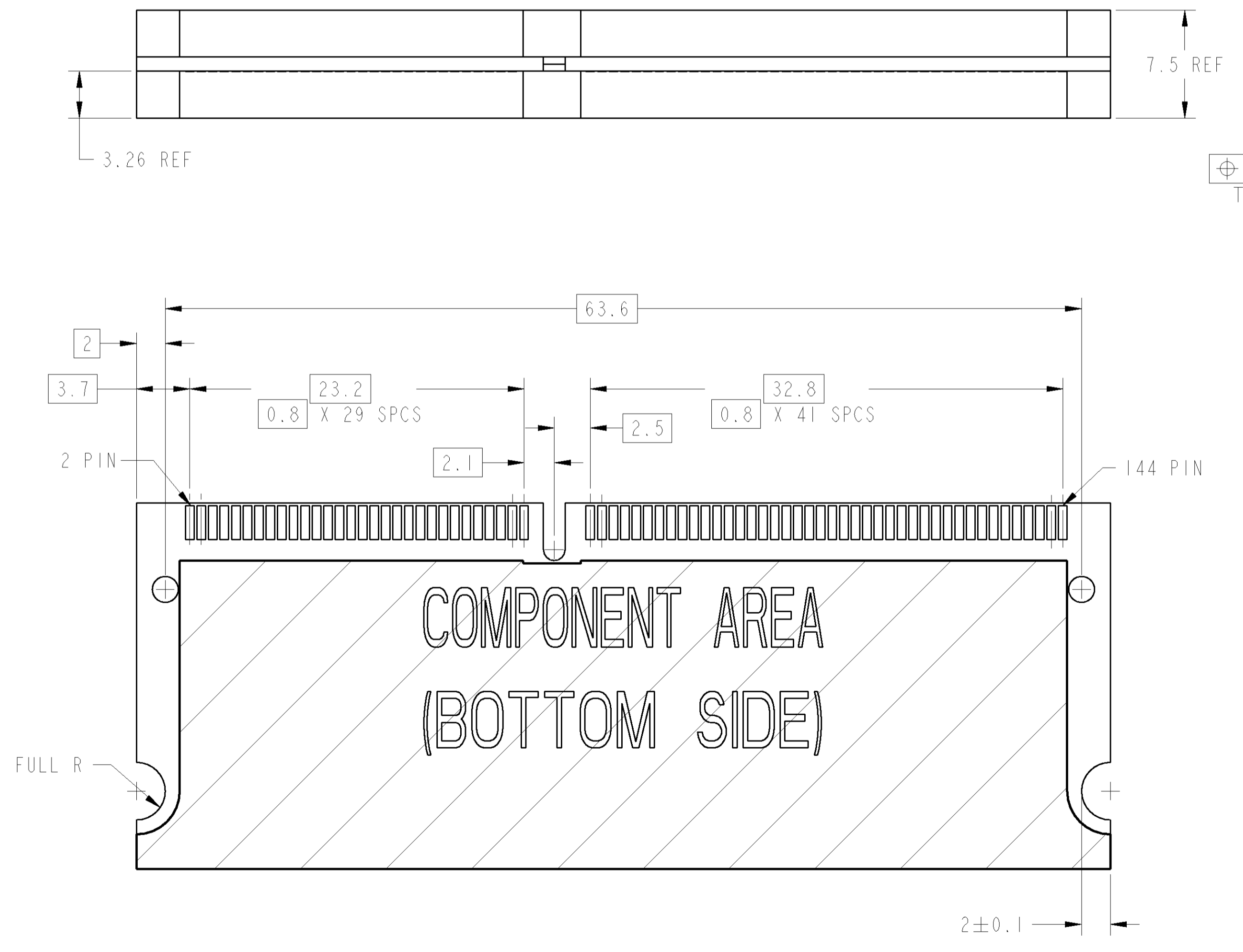
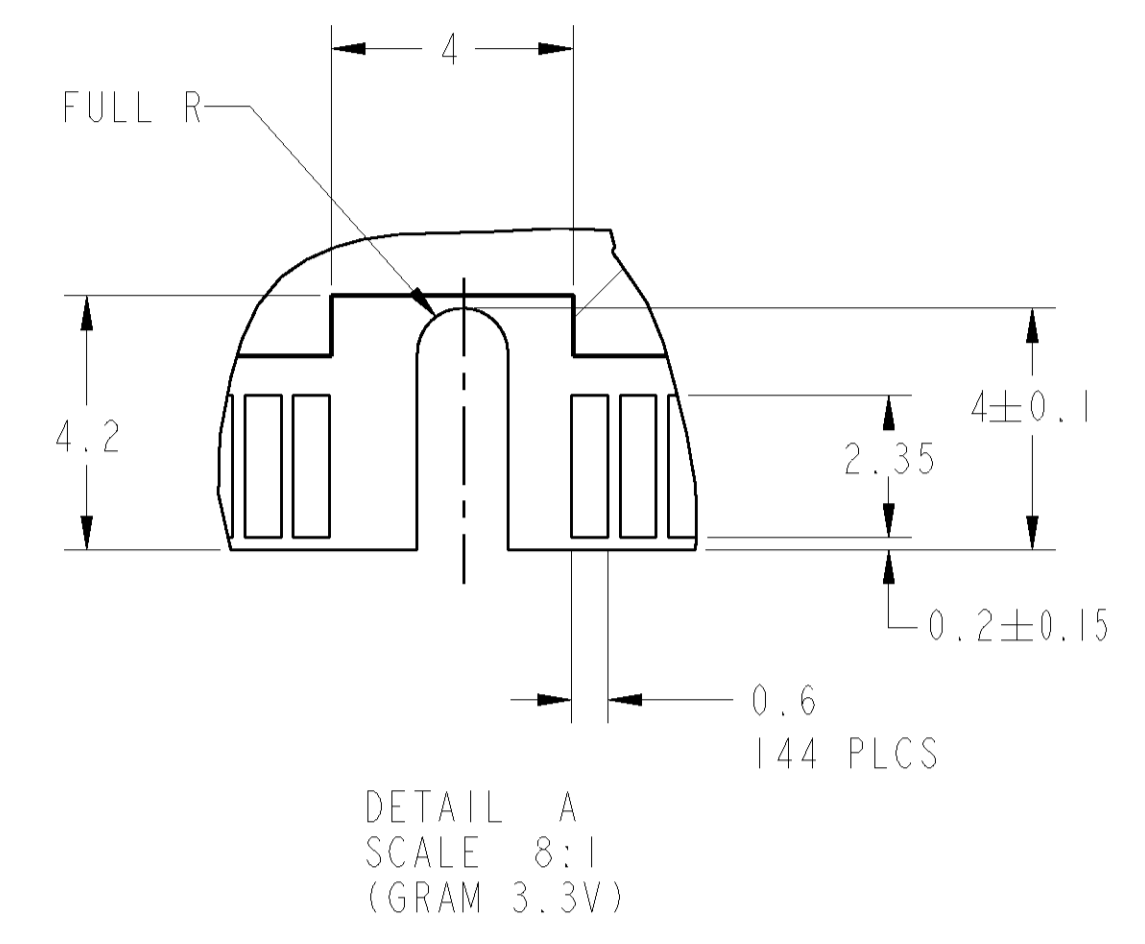
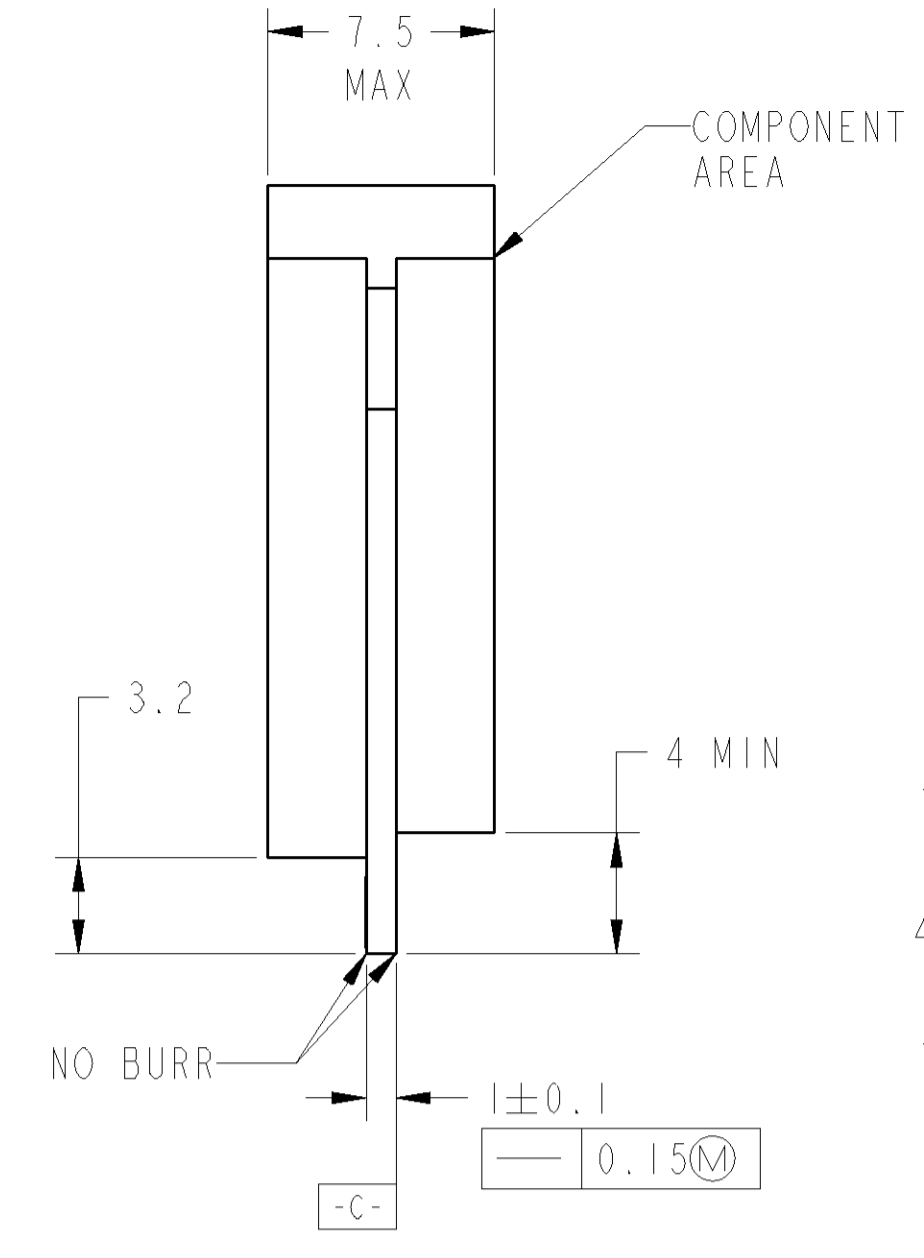
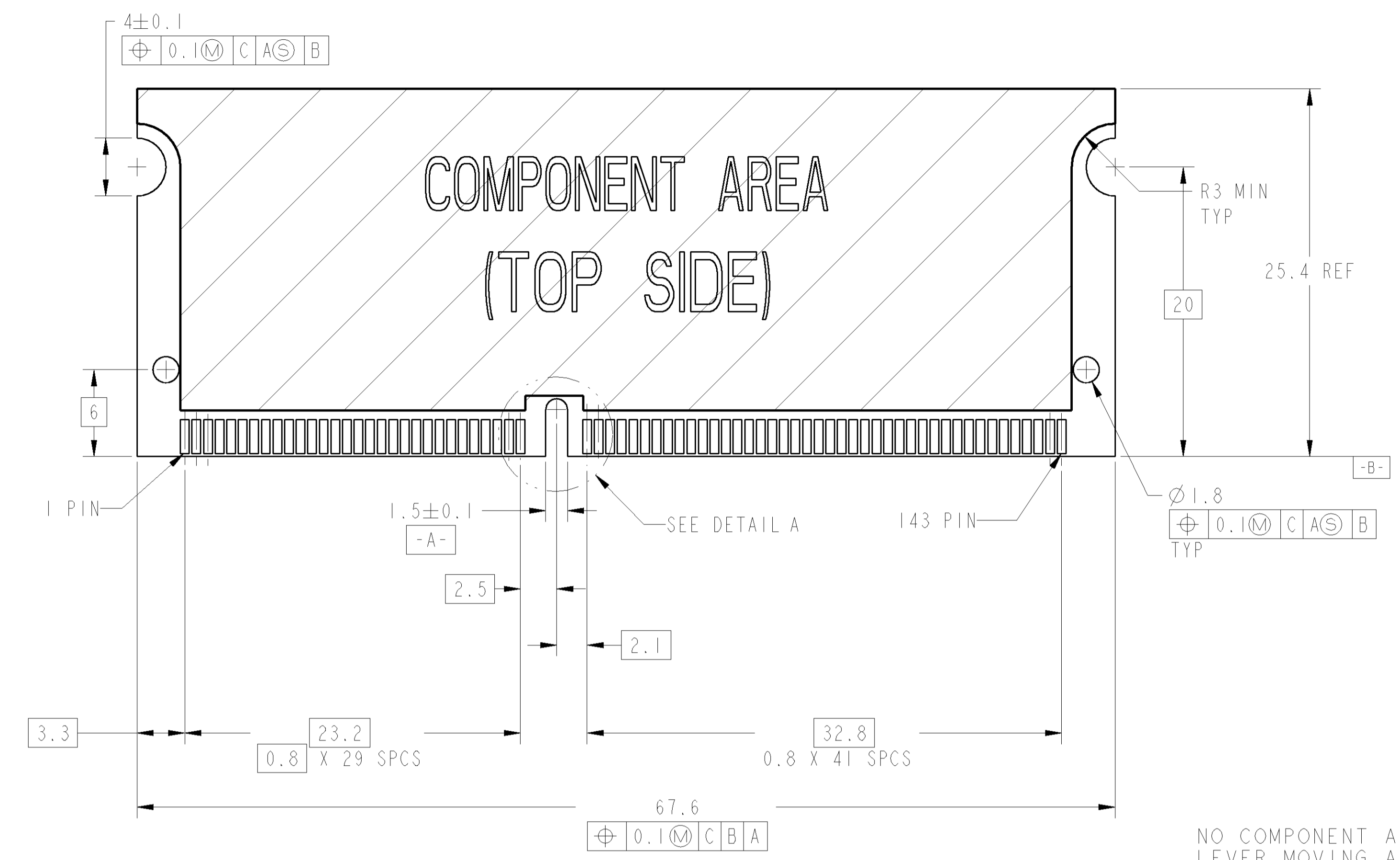
- △ MATERIAL, HOUSING, HIGH TEMP. PLASTIC, UL94V-0
CONTACT: COPPER ALLOY
LOCK LEVER: SUS301 TIN PLATING.
- △ FINISH; CONTACT AREA: 0.00025 MIN GOLD PLT ON
0.001 MIN ALL OVER NICKEL
SOLDERING AREA: 0.00005 MIN TO 0.00030 MAX GOLD PLATE
- 3. TOLERANCES NON-ACCUMULATIVE.
- △ DIMENSIONING TO MODULE CENTER LINE.
- △ PART PACKAGING PER EIA-18-704 STANDARD REEL
DIAMETER SHALL BE 330mm. TAPE WIDTH SHALL
BE 88mm AND TAPE PITCH SHALL BE 36mm

AVAILABLE	SDRAM 3.3V	144	6-390322-1	△ 5
AVAILABLE	SDRAM 3.3V	144	390322-1	
REMARKS	POWER SUPPLY	POS	PART NUMBER	

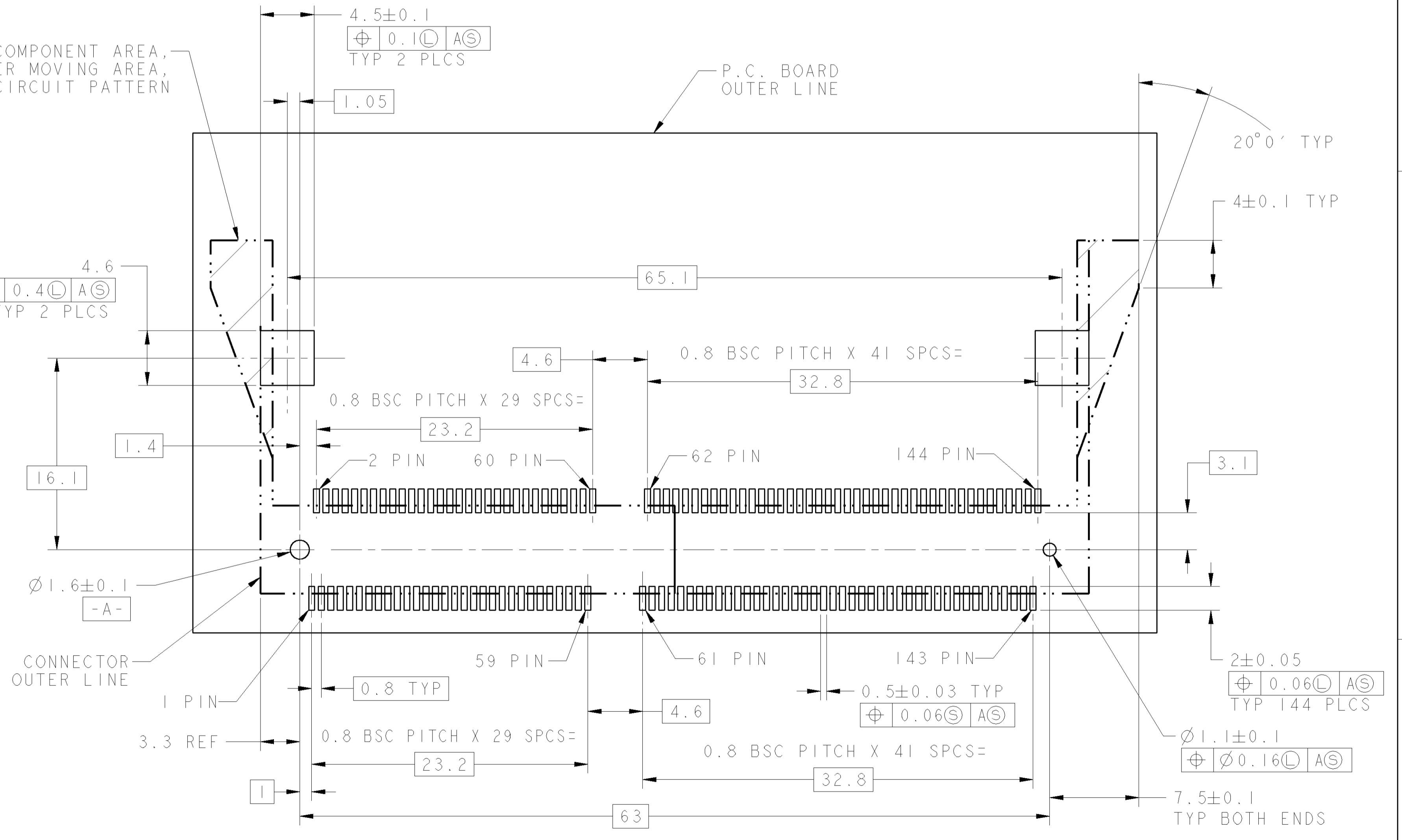
<small>THIS DRAWING IS A CONTROLLED DOCUMENT FOR AMP INCORPORATED. ALL CHANGES TO THIS DRAWING MUST BE APPROVED BY THE CONTROLLING ENGINEER. ORGANIZATION SHOULD BE CONTACTED FOR THE LATEST REVISION.</small>		DWN: J. BURWELL 8NOV99 CBY: K. KREIDLER 22JUL99 APD: SE LEONG PRODUCT SPEC: - APPLICATION SPEC: - WEIGHT: - CUSTOMER DRAWING: -	NAME: S.O.DIM SOCKET ASSY, 0.8mm PITCH 144 POS., 8mm PROFILE FOR SDRAM TYPE MODULE SIZE: A1 CAGE CODE: 00779 DRAWING NO: C=390322 SCALE: 4:1	AMP MANUFACTURING (SINGAPORE) PTE. LTD. AMP AMP MANUFACTURING (SINGAPORE) PTE. LTD. S.O.DIM SOCKET ASSY, 0.8mm PITCH 144 POS., 8mm PROFILE FOR SDRAM TYPE MODULE C=390322 SHEET 1 OF 2 REV K
--	--	---	--	---

LOC	DIST	REV	DATE	BY	CHKD	APPRD
DY	-	-	-	-	-	-

REVISIONS		
NO.	DESCRIPTION	DATE
-	SEE SHEET 1	-



NO COMPONENT AREA, LEVER MOVING AREA, ACCEPT CIRCUIT PATTERN



<small>THIS DRAWING IS A CONTROLLED DOCUMENT FOR AMP INCORPORATED. ALL DIMENSIONS ARE IN MILLIMETERS UNLESS OTHERWISE SPECIFIED. FOR THE LATEST REVISION, CONTACT THE DRAWING ENGINEER.</small>		DWN: J. BURWELL 01FEB01 CKD: K. KREIDLER 23JUL99 APD: SE LEONG PRODUCT SPEC: - APPLICATION SPEC: - WEIGHT: - CUSTOMER DRAWING: -	AMP AMP MANUFACTURING (SINGAPORE) PTE. LTD.
DIMENSIONS: mm 	TOLERANCES UNLESS OTHERWISE SPECIFIED: 0 PLC ± 1 PLC ±0.2 2 PLC ±0.2 3 PLC ±0.2 4 PLC ± ANGLES ±	NAME: 3.0 DIMM SOCKET ASSY., 0.8mm PITCH 144 POS., 8mm PROFILE FOR SDRAM TYPE MODULE SIZE: A1 CAGE CODE: 00779 DRAWING NO: C=390322 SCALE: 4:1 SHEET: 2 OF 2 REV: K	