



Advisory Letter

Product Group: Vishay Siliconix/ Dec 29, 2022 / SIL-0162022

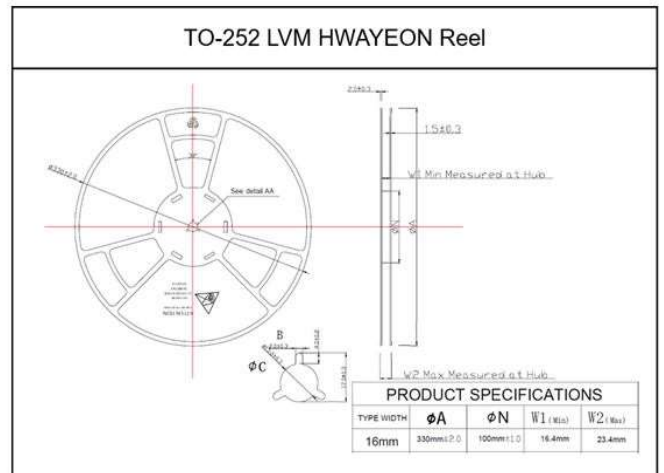
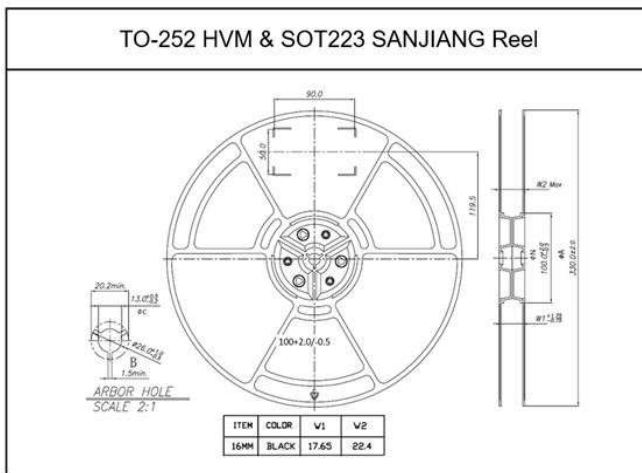
Subject: Reel Supplier & Design Change for TO252 HVM & SOT223 packages

Dear Valued Customer:

This advisory is being provided to you as an announcement that we will introduce an improved packing reel design change for Vishay Siliconix TO252 HVM & SOT223 packages at ATX, Weihai, China.

	Supplier	Affected Product
From	Sanjiang	TO-252 HVM & SOT223
To	Hwayeon*	TO-252 HVM & SOT223

* Hwayeon Reel is currently used in TO-252 LVM package



The change is to standardize with Vishay Siliconix LVM products which will be implemented starting from January 2023 onwards and original reel availability will depend on distribution inventory status then.

Please refer to 2nd page of this advisory letter for affected parts list.

There will be no effect on the quality, reliability, or performance.

This is an advisory and does not require your response. Please do not hesitate to contact us if you have any questions or need further information.

Sincerely,

Michael Hsieh

Vishay Siliconix Senior Manager, Product Marketing

E-mail address: Michael.Hsieh@Vishay.com

Vishay Intertechnology, Inc.

Corporate Headquarters 63 Lincoln Highway, Malvern, PA 19355-2143 U.S.A. Phone (610) 644-1300 Fax (610) 296-0657 www.vishay.com

ONE OF THE WORLD'S LARGEST MANUFACTURERS OF DISCRETE SEMICONDUCTORS AND PASSIVE COMPONENT

Procedure #



Advisory Letter

Product Group: Vishay Siliconix/ Dec 29, 2022 / SIL-0162022

Affected Parts List

DPAK			
IRFR010TRLPBF	IRFR9014TRLPBF	SIHD240N60E-T5-GE3	SIHFR310TRR-GE3
IRFR010TRPBF	IRFR9014TRPBF	SIHD3N50DT1-GE3	SIHFR320TR-GE3
IRFR010TRRPBF	IRFR9020TRLPBF	SIHD3N50DT4-GE3	SIHFR320TRL-GE3
IRFR014TRLPBF	IRFR9020TRPBF	SIHD3N50DT5-GE3	SIHFR420ATR-GE3
IRFR014TRPBF	IRFR9024TRLPBF	SIHD4N80ET1-GE3	SIHFR420ATRL-GE3
IRFR014TRRPBF	IRFR9024TRPBF	SIHD4N80ET4-GE3	SIHFR420TR-GE3
IRFR020TRLPBF	IRFR9110TRLPBF	SIHD4N80ET5-GE3	SIHFR420TRL-GE3
IRFR020TRPBF	IRFR9110TRPBF	SIHD5N50DT1-GE3	SIHFR420TRR-GE3
IRFR020TRRPBF	IRFR9110TRRPBF	SIHD5N50DT4-GE3	SIHFR430ATR-GE3
IRFR024TRLPBF	IRFR9120TRLPBF	SIHD5N50DT5-GE3	SIHFR430ATRL-GE3
IRFR024TRPBF	IRFR9120TRPBF	SIHD6N62ET1-GE3	SIHFR430ATRR-GE3
IRFR024TRRPBF	IRFR9120TRRPBF	SIHD6N65ET1-GE3	SIHFR9010TR-GE3
IRFR110TRLPBF	IRFR9210TRLPBF	SIHD6N65ET4-GE3	SIHFR9010TRL-GE3
IRFR110TRPBF	IRFR9210TRPBF	SIHD6N65ET5-GE3	SIHFR9014TR-GE3
IRFR120TRLPBF	IRFR9214TRLPBF	SIHD6N80AET1-GE3	SIHFR9014TRL-GE3
IRFR120TRPBF	IRFR9214TRPBF	SIHD6N80AET4-GE3	SIHFR9020TR-GE3
IRFR120TRRPBF	IRFR9220TRLPBF	SIHD7N60ET1-GE3	SIHFR9020TRL-GE3
IRFR1N60ATRLPBF	IRFR9220TRPBF	SIHD7N60ET4-GE3	SIHFR9024TR-GE3
IRFR1N60ATRPBF	IRFR9220TRRPBF	SIHD7N60ET5-GE3	SIHFR9024TRL-GE3
IRFR210TRLPBF	IRFR9310TRLPBF	SIHFR010TR-GE3	SIHFR9024TRR-GE3
IRFR210TRPBF	IRFR9310TRPBF	SIHFR010TRL-GE3	SIHFR9110TR-GE3
IRFR210TRRPBF	IRFR9310TRRPBF	SIHFR014TR-GE3	SIHFR9110TRL-GE3
IRFR214TRLPBF	IRFRC20TRLPBF	SIHFR014TRL-GE3	SIHFR9120TR-GE3
IRFR214TRPBF	IRFRC20TRPBF	SIHFR020TR-GE3	SIHFR9120TRL-GE3
IRFR214TRRPBF	IRFRC20TRRPBF	SIHFR024TR-GE3	SIHFR9210TR-GE3
IRFR220TRLPBF	IRLR014TRLPBF	SIHFR024TRL-GE3	SIHFR9214TR-GE3
IRFR220TRPBF	IRLR014TRPBF	SIHFR110TR-GE3	SIHFR9214TRL-GE3
IRFR220TRRPBF	IRLR024TRLPBF	SIHFR110TRL-GE3	SIHFR9220TR-GE3
IRFR224TRLPBF	IRLR024TRPBF	SIHFR110TRR-GE3	SIHFR9220TRL-GE3
IRFR224TRPBF	IRLR110TRLPBF	SIHFR120TR-GE3	SIHFR9220TRR-GE3
IRFR224TRRPBF	IRLR110TRPBF	SIHFR120TRL-GE3	SIHFR9310TR-GE3
IRFR310TRLPBF	IRLR120TRLPBF	SIHFR120TRR-GE3	SIHFR9310TRL-GE3
IRFR310TRPBF	IRLR120TRPBF	SIHFR1N60ATR-GE3	SIHFR9310TRR-GE3
IRFR320TRLPBF	IRLR120TRRPBF	SIHFR1N60ATRL-GE3	SIHFR9310TRR-GE3
IRFR320TRPBF	SIHD11N80AE-T1-GE3	SIHFR1N60ATRR-GE3	SIHFR9310TRR-GE3
IRFR320TRRPBF	SIHD11N80AE-T4-GE3	SIHFR210TRL-GE3	SIHFR9310TRR-GE3
IRFR420ATRLPBF	SIHD12N50E-T1-GE3	SIHFR210TRR-GE3	SIHLR014TRL-GE3
IRFR420ATRPBF	SIHD14N60ET1-GE3	SIHFR214TR-GE3	SIHLR024TR-GE3
IRFR420TRLPBF	SIHD14N60ET4-GE3	SIHFR214TRL-GE3	SIHLR024TRL-GE3
IRFR420TRPBF	SIHD14N60ET5-GE3	SIHFR214TRR-GE3	SIHLR110TR-GE3
IRFR420TRRPBF	SIHD180N60ET1-GE3	SIHFR220TRL-GE3	SIHLR120TR-GE3
IRFR430ATRLPBF	SIHD180N60ET4-GE3	SIHFR224TR-GE3	SIHLR120TRL-GE3
IRFR430ATRPBF	SIHD186N60EFT1-GE3	SIHFR224TRL-GE3	SIHLR120TRR-GE3
IRFR9010TRLPBF	SIHD240N60E-T1-GE3	SIHFR310TR-GE3	
IRFR9010TRPBF	SIHD240N60E-T4-GE3	SIHFR310TRL-GE3	
SOT223			
IRFL014TRPBF	IRFL9014TRPBF	SIHFL014TR-GE3	SIHFL9014TR-GE3
IRFL110TRPBF	IRFL9110TRPBF	SIHFL110TR-GE3	SIHFL9110TR-GE3
IRFL210TRPBF	IRLL014TRPBF	SIHFL210TR-GE3	SIHLL014TR-GE3
IRFL214TRPBF	IRLL110TRPBF	SIHFL214TR-GE3	SIHLL110TR-GE3

Vishay Intertechnology, Inc.

Corporate Headquarters 63 Lincoln Highway, Malvern, PA 19355-2143 U.S.A. Phone (610) 644-1300 Fax (610) 296-0657 www.vishay.com

ONE OF THE WORLD'S LARGEST MANUFACTURERS OF DISCRETE SEMICONDUCTORS AND PASSIVE COMPONENT

Procedure #