

# C3225X7R1H475K250AE

TDK item description : C3225X7R1H475KT\*\*\*S

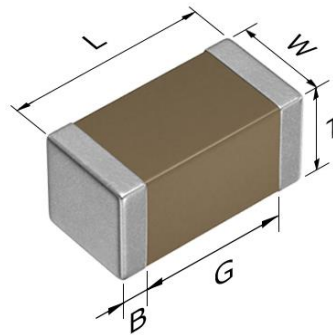


## Application & Main Feature

Commercial grade (Soft termination)

## Series

C3225 [EIA 1210]



## Dimensions

L	3.20±0.50,-0.40 mm
W	2.50±0.30 mm
T	2.50±0.30 mm
B	0.20 mm min.
G	---

## Temperature Characteristic

X7R (-55 to +125 degC, ±15%)

## Rated Voltage

1H (50Vdc)

## Capacitance

4.7µF

## Capacitance Tolerance

K (±10%)

## DF

5 % max.

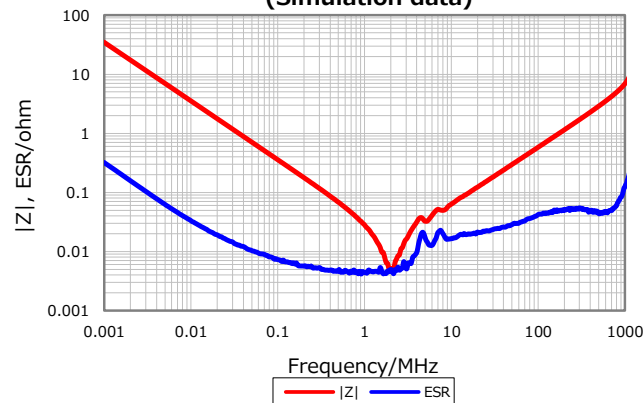
## Insulation Resistance

106 Mohm min.

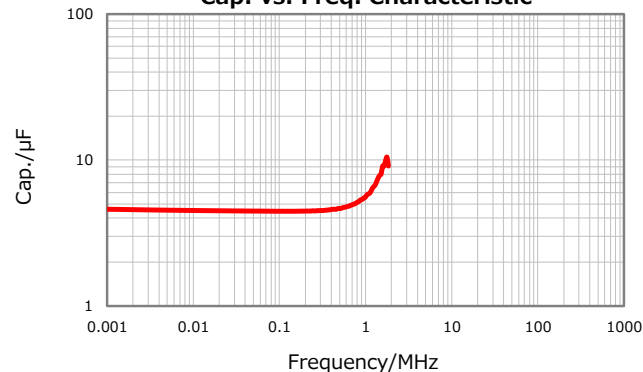
## AEC-Q200

Not Applicable

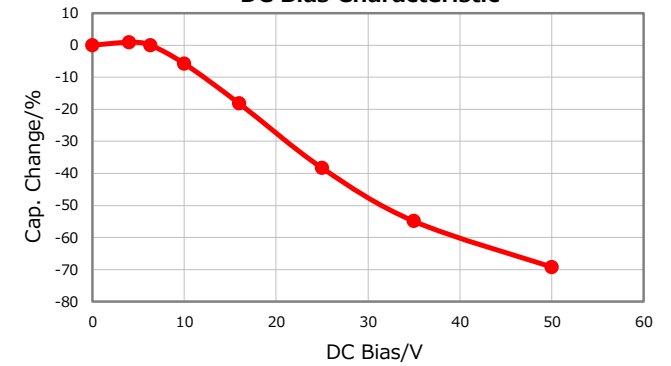
**|Z|, ESR vs. Freq. Characteristics**  
(Simulation data)



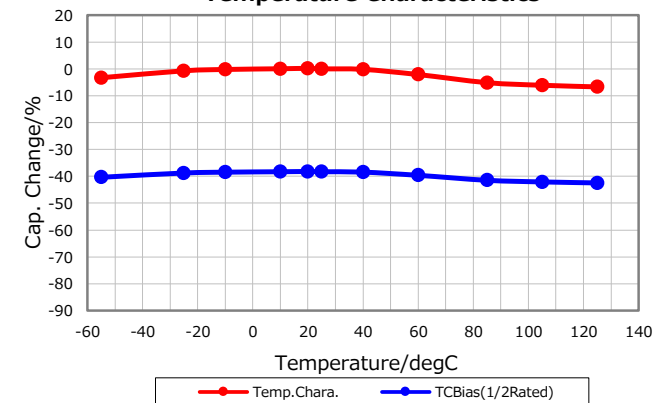
**Cap. vs. Freq. Characteristic**



**DC Bias Characteristic**



**Temperature Characteristics**



**Ripple Temperature Rise Characteristics**

