



Product availability: Stock - Normally stocked in distribution facility



### Main

|                                       |                                                                                                                                                                                                                                                    |
|---------------------------------------|----------------------------------------------------------------------------------------------------------------------------------------------------------------------------------------------------------------------------------------------------|
| Range of Product                      | Modicon                                                                                                                                                                                                                                            |
| Product or Component Type             | Ethernet TCP/IP managed switch                                                                                                                                                                                                                     |
| Concept                               | Transparent Ready                                                                                                                                                                                                                                  |
| Communication Port Protocol           | Ethernet TCP/IP<br>SSH<br>HTTP<br>HTTPS<br>SNMP<br>RS232<br>SFTP<br>SCP<br>LLDP<br>Telnet<br>SNTP                                                                                                                                                  |
| Port Ethernet                         | 10/100BASE-TX - 8 copper cable<br>100/1000 SFP - 4                                                                                                                                                                                                 |
| Maximum number of switches in cascade | Unlimited                                                                                                                                                                                                                                          |
| Cybersecurity                         | Port hardening<br>IP-based port security<br>MAC-based port security<br>Port-based access control<br>Role-based access control<br>RADIUS assignment<br>HTTPS<br>DoS prevention<br>VLAN-based ACL<br>Audit trail<br>SNMP logging<br>Pre-login banner |

The information provided in this documentation contains general descriptions and/or technical characteristics of the performance of the products contained herein. This documentation is not intended as a substitute for and is not to be used for determining suitability or reliability of these products for specific user applications. It is the duty of any such user or integrator to perform the appropriate and complete risk analysis, evaluation and testing of the products with respect to the relevant specific application or use thereof. Neither Schneider Electric Industries SAS nor any of its affiliates or subsidiaries shall be responsible or liable for misuse of the information contained herein.

## Complementary

|                                        |                                                                                                                                                                                                                                   |
|----------------------------------------|-----------------------------------------------------------------------------------------------------------------------------------------------------------------------------------------------------------------------------------|
| Integrated connection type             | Shielded RJ45 copper cable<br>SFP port fiber optic (Gbit)                                                                                                                                                                         |
| Transmission support medium            | Twisted shielded pairs cable CAT 5E copper cable<br>Fiber optic cable fiber optic (Gbit)                                                                                                                                          |
| Maximum cable distance between devices | 328.08 Ft (100 m) copper cable                                                                                                                                                                                                    |
| Ethernet service                       | Configuration via web server<br>VLAN<br>Multicast filtering<br>Data stream control<br>IGMP Snooping<br>SNMP-Traps and SYSLOG                                                                                                      |
| Communication Service                  | TFTP<br>Quality of Service (QoS)<br>Port monitoring<br>Port mirroring<br>Address conflict detection                                                                                                                               |
| Diagnostics run time                   | Signal contact<br>Self test<br>MAC notification                                                                                                                                                                                   |
| Maximum number of switches in a ring   | 50                                                                                                                                                                                                                                |
| Redundancy                             | HiPER ring<br>RSTP<br>Link aggregation<br>Link backup<br>Redundant network coupling<br>MRP                                                                                                                                        |
| [Us] rated supply voltage              | 12...24 V                                                                                                                                                                                                                         |
| Supply voltage limits                  | 9.6...32 V DC SELV                                                                                                                                                                                                                |
| Power Consumption in W                 | 9 W                                                                                                                                                                                                                               |
| Electrical connection                  | Removable connector 6 ways power supply                                                                                                                                                                                           |
| Mounting Support                       | 35 mm symmetrical DIN rail                                                                                                                                                                                                        |
| Marking                                | CE<br>CULus<br>RCM                                                                                                                                                                                                                |
| Function Available                     | Security status<br>Alarms (Traps)<br>System information<br>Report                                                                                                                                                                 |
| Local signalling                       | For P1 P2 power supplies 1 dual colour LED (green/yellow)<br>For device status 1 dual colour LED (green/red)<br>For memory key status 1 dual colour LED (green/yellow)<br>for channel diagnostic 1 dual colour LED (green/yellow) |
| Alarm output                           | 1 voltfree contact 1 A                                                                                                                                                                                                            |
| Alarm function                         | Power supply fault<br>Data link status<br>Switch fault<br>High temperature<br>Redundancy ring fault<br>Incorrect configuration<br>External memory removed                                                                         |
| Ethernet cabling system                | TF switches                                                                                                                                                                                                                       |
| Width                                  | 2.87 In (73 mm)                                                                                                                                                                                                                   |
| Height                                 | 5.43 In (138 mm)                                                                                                                                                                                                                  |
| Depth                                  | 4.37 In (111 mm)                                                                                                                                                                                                                  |
| Net Weight                             | 1.26 Lb(US) (0.57 kg)                                                                                                                                                                                                             |

## Environment

|                                       |                                                                                  |
|---------------------------------------|----------------------------------------------------------------------------------|
| Ambient air temperature for operation | 32...140 °F (0...60 °C)                                                          |
| Relative Humidity                     | 1...95 % non-condensing                                                          |
| IP Degree of Protection               | IP30                                                                             |
| Directives                            | 2014/35/EU - low voltage directive<br>2014/30/EU - electromagnetic compatibility |
| Standards                             | UL 61010-2-201<br>EN/IEC 61131-2<br>EN/IEC 62368-1                               |
| Product certifications                | CE<br>UL<br>RCM<br>DNV<br>ATEX                                                   |

## Ordering and shipping details

|                   |                              |
|-------------------|------------------------------|
| Category          | 18121-MODICON MANAGED SWITCH |
| Discount Schedule | PC11                         |
| GTIN              | 3606481463449                |
| Returnability     | Yes                          |

## Packing Units

|                              |                         |
|------------------------------|-------------------------|
| Unit Type of Package 1       | PCE                     |
| Number of Units in Package 1 | 1                       |
| Package 1 Height             | 6.30 In (16 cm)         |
| Package 1 Width              | 5.12 In (13 cm)         |
| Package 1 Length             | 9.25 In (23.5 cm)       |
| Package 1 Weight             | 29.28 Oz (830 g)        |
| Unit Type of Package 2       | S04                     |
| Number of Units in Package 2 | 8                       |
| Package 2 Height             | 11.81 In (30 cm)        |
| Package 2 Width              | 15.75 In (40 cm)        |
| Package 2 Length             | 23.62 In (60 cm)        |
| Package 2 Weight             | 16.17 Lb(US) (7.336 kg) |

## Offer Sustainability

|                            |                                                                                                                                                                                                                                                                                             |
|----------------------------|---------------------------------------------------------------------------------------------------------------------------------------------------------------------------------------------------------------------------------------------------------------------------------------------|
| Sustainable offer status   | Green Premium product                                                                                                                                                                                                                                                                       |
| California proposition 65  | WARNING: This product can expose you to chemicals including: Lead and lead compounds, which is known to the State of California to cause cancer and birth defects or other reproductive harm. For more information go to <a href="http://www.P65Warnings.ca.gov">www.P65Warnings.ca.gov</a> |
| REACH Regulation           | <a href="#">REACH Declaration</a>                                                                                                                                                                                                                                                           |
| REACH free of SVHC         | Yes                                                                                                                                                                                                                                                                                         |
| EU RoHS Directive          | Pro-active compliance (Product out of EU RoHS legal scope) <a href="#">EU RoHS Declaration</a>                                                                                                                                                                                              |
| Mercury free               | Yes                                                                                                                                                                                                                                                                                         |
| China RoHS Regulation      | <a href="#">China RoHS Declaration</a>                                                                                                                                                                                                                                                      |
| RoHS exemption information | <a href="#">Yes</a>                                                                                                                                                                                                                                                                         |
| Environmental Disclosure   | <a href="#">Product Environmental Profile</a>                                                                                                                                                                                                                                               |
| Circularity Profile        | <a href="#">End Of Life Information</a>                                                                                                                                                                                                                                                     |
| WEEE                       | The product must be disposed on European Union markets following specific waste collection and never end up in rubbish bins.                                                                                                                                                                |

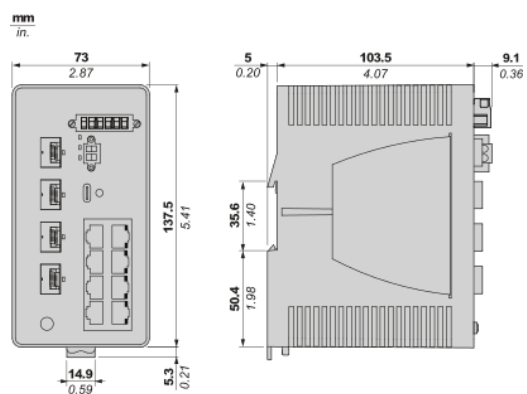
Contractual warranty

---

|          |           |
|----------|-----------|
| Warranty | 18 months |
|----------|-----------|

---

Dimensions



Product Life Status : Commercialised