

# BWEXTR - BiWire Ultra external relay



The BiWire Ultra output relay module is designed to provide a simple means of interfacing BiWire Ultra systems with external equipment such as door retainers.

It is simple to install and can provide additional flexibility to an installer, as external switching can be achieved without having to wire back to the main fire alarm control panel.

The module range is available in 24V and 230V variants

## Features and benefits

- Quick and simple to install
- Provides flexibility at system installation
- 24V and 230V variants provide for low or mains voltage switching

# Specifier's guide

## 2.5 Test Equipment

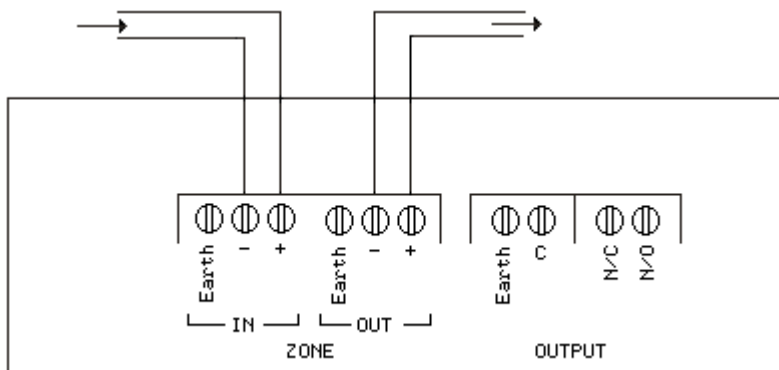
### Technical specification

	BWEXTR24V	BWEXTR230V
<b>Operating Characteristics</b>		
Operating Voltage	18V – 22V	
Alarm Voltage	30.7V – 32.4V	
Quiescent Current	130 µA Nom	
Alarm Current	200µA Nom	
<b>Contact Ratings</b>		
Sets of contacts	1	
Contact Type	Single pole changeover	
Contact Rating	1A @ 24VDC	3A @ 230VAC
Quiescent Current	130 µA Nom	
<b>Environmental</b>		
Operating Temperature	-10°C to + 55°C	
Humidity (Non Condensing)	93%rh	
<b>Standards</b>		
	EN54:Pt18	
<b>Compatibility</b>		
	Suitable for use with BiWire Ultra Panels only	
<b>Physical Characteristics</b>		
Dimensions	180x130x60mm	
Weight	0.5kg	
Ingress Protection	IP66	

### Installation

1. Remove the lid from the back box.
2. Unclip the PCB from the mounting pillars (to prevent damage during drilling).
3. Remove the mounting plate via the two screws (so you can gain access to the base of the back box).
4. Mark on the back box where the glands will be fitted, making sure there is sufficient space between glands so they can be tightened properly.
5. Using the appropriate sized cutting drill for the gland size used, drill out the marked gland points on the back-box.
6. Fit the glands to the newly drilled holes in the back box.
7. Drill the holes in the wall to match the holes in the back box (see picture on right).
8. Screw the back-box in position (see picture on right).
9. Screw the mounting plate back into the back box.
10. Clip the PCB into the mounting pillars on the mounting plate.
11. Pass the wires through the glands and secure to the PCB as outlined in the wiring instructions.
12. Secure the lid to the back box.

### Standard connections



#### Notes:

1. Relay contacts will operate if any zone receives a fire signal, even if relay is connected to a different zone to the one that is triggered.
2. BWEXTR24V is only suitable for switching 24V loads.
3. BWEXTR230V is only suitable for switching mains rated loads.
4. If the relay module is fitted at the far end of the zone wiring, then the EOLM-3 must be wired to the zone out terminals.
5. There are no serviceable parts so no maintenances procedures apply.

### Catalogue numbers

Description	Code
BiWire Ultra external relay module 24V	BWEXTR24V
BiWire Ultra external relay module 230V	BWEXTR230V