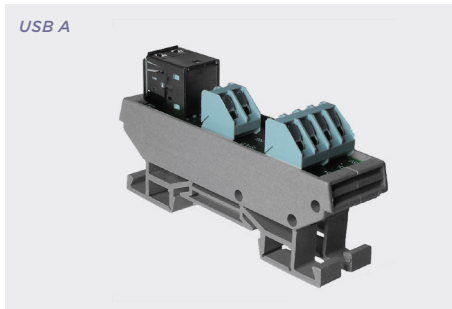


002  
PCB TERMINAL  
BLOCKS081  
TERMINAL STRIPS095  
WIRE TO BOARD  
CONNECTORS100  
CIRCULAR  
CONNECTORS151  
IP68 CONNECTORS158  
INTERFACE  
MODULES AND  
RELAY BASES

# USB A interface module

## Product overview

- Single USB A type socket to screw terminals
- Terminals marked +5V, D-, D+ and GND
- Separate shield connection
- 35mm DIN Rail mounting
- Option for 32mm (G) rail mounting
- 45° terminals for easy access
- RoHS compliant
- SVHC free (2012)
- Optional wall mounting plates are available (CIME/M/MPR)



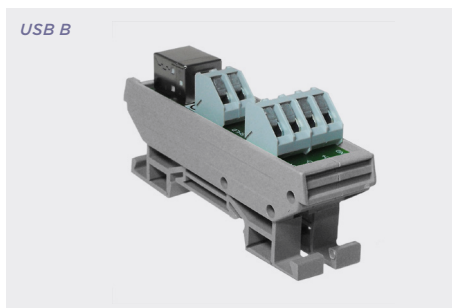
SPECIFICATION	
Rating	30V DC 100mA
Cable entry	0.2-4mm <sup>2</sup> (30-12 AWG)
Terminal screw	M3
Strip length	6mm (0.24")
Max terminal torque	0.5Nm (4lb-in)

PART NO	DESCRIPTION	HEIGHT	WIDTH	LENGTH
CIM/USBA	USB A to screw terminal interface. 35 mm Din Rail mounting	44mm (1.73")	83mm (3.27")	26mm (1.02")

# USB B interface module

## Product overview

- Single USB B type socket to screw terminals
- Terminals marked +5V, D-, D+ and GND
- Separate shield connection
- 35mm DIN Rail mounting
- Option for 32mm (G) rail mounting
- 45° terminals for easy access
- RoHS compliant
- SVHC free (2012)
- Optional wall mounting plates are available (CIME/M/MPR)



SPECIFICATION	
Rating	30V DC 100mA
Cable entry	0.2-4mm <sup>2</sup> (30-12 AWG)
Terminal screw	M3
Strip length	6mm (0.24")
Max terminal torque	0.5Nm (4lb-in)

PART NO.	DESCRIPTION	HEIGHT	WIDTH	LENGTH
CIM/USBB	USB B to screw terminal interface. 35 mm Din Rail mounting	41mm (1.61")	83mm (3.27")	26mm (1.02")

## ASSOCIATED PRODUCTS

CIME/M/MPR

- Wall mount plates

page 168