

UR20-FBC-EIP-V2

Weidmüller Interfaces GmbH & Co. KG

Postfach 3030

32760 Detmold

Tel. +49 5231 14-0

Fax. +49 5231 14-2083

info@weidmueller.com

www.weidmueller.com

Product image



More performance. Simplified. u-remote.

Weidmüller u-remote – our innovative remote I/O concept with IP 20 which focuses purely on user benefits: tailored planning, faster installation, safer start-up, no more downtime. For considerably improved performance and greater productivity.

Reduce the size of your cabinets with u-remote, thanks to the narrowest modular design on the market and the need for fewer power-feed modules. Our u-remote technology also offers tool-free assembly, while the modular "sandwich" design and integrated web server speed up installation, both in the cabinet and machine. Status LEDs on the channel and each u-remote module enable reliable diagnosis and rapid service.

This and many other amazing ideas boost the availability of your machines and systems. And ensure smooth processes too. From planning to operation.

u-remote stands for "More Performance". Simplified

General ordering data

| | |
|------------|--|
| Version | Remote I/O fieldbus coupler, IP20, Ethernet, EtherNet/IP |
| Order No. | 1550550000 |
| Type | UR20-FBC-EIP-V2 |
| GTIN (EAN) | 4050118356885 |
| Qty. | 1 pc(s). |

UR20-FBC-EIP-V2

Weidmüller Interfaces GmbH & Co. KG

Postfach 3030

32760 Detmold

Tel. +49 5231 14-0

Fax. +49 5231 14-2083

info@weidmuller.com

www.weidmuller.com

Technical data

Dimensions and weights

| | | | |
|------------|--------|-----------------|------------|
| Depth | 76 mm | Depth (inches) | 2.992 inch |
| Height | 120 mm | Height (inches) | 4.724 inch |
| Width | 52 mm | Width (inches) | 2.047 inch |
| Net weight | 223 g | | |

Temperatures

| | | | |
|-----------------------------|-------------------|-----------------------------|--------|
| Storage temperature | -40 °C ... +85 °C | Operating temperature, min. | -20 °C |
| Operating temperature, max. | 60 °C | | |

Connection data

| | | | |
|--|----------------------|--|----------------------|
| Type of connection | PUSH IN | Wire connection cross section, finely stranded, max. | 1.5 mm ² |
| Wire connection cross section, finely stranded, min. | 0.14 mm ² | Wire cross-section, finely stranded, max. (AWG) | AWG 16 |
| Wire cross-section, finely stranded, min. (AWG) | AWG 26 | Wire cross-section, solid, max. | 1.5 mm ² |
| Wire cross-section, solid, max. (AWG) | AWG 16 | Wire cross-section, solid, min. | 0.14 mm ² |
| Wire cross-section, solid, min. (AWG) | AWG 26 | | |

General data

| | | | |
|--------------------------|--|---------------------------|--|
| Air humidity (operation) | 10% to 95%, non-condensing as per DIN EN 61131-2 | Air humidity (storage) | 10% to 95%, non-condensing as per DIN EN 61131-2 |
| Air humidity (transport) | 10% to 95%, non-condensing as per DIN EN 61131-2 | Air pressure (operation) | ≥ 795 hPa (height ≤ 2000 m) as per DIN EN 61131-2 |
| Air pressure (storage) | 1013 hPa (height 0 m) to 700 hPa (height 3000 m) as per DIN EN 61131-2 | Air pressure (transport) | 1013 hPa (height 0 m) to 700 hPa (height 3000 m) as per DIN EN 61131-2 |
| Pollution severity | 2 | Rail | TS 35 |
| Shock | 15 g over 11 ms, half sinus wave, acc. to IEC 60068-2-27 | Surge voltage category | II |
| Test voltage | 500 V | UL 94 flammability rating | V-0 |
| Vibration resistance | 5 Hz ≤ f ≤ 8.4 Hz: 3.5-mm amplitude as per IEC 60068-2-6, 8.4 Hz ≤ f ≤ 150 Hz: 1 g acceleration as per IEC 60068-2-6 | | |

Power supply

| | | | |
|---|--|---|----------------------|
| Current consumption from I _{sys} , typ. | 100 mA | Feed current for I _{IN} (input current path), max. | 10 A |
| Feed current for I _{OUT} (output current path), max. | 10 A | Feed current for the system, max. | 4 A |
| Supply voltage for outputs | 24 V DC +20 %/ -15 % | Supply voltage system and inputs | 24 V DC +20 %/ -15 % |
| Voltage supply | 24 V DC +20 %/ -15 %, via the system bus | | |

UR20-FBC-EIP-V2

Weidmüller Interfaces GmbH & Co. KG

Postfach 3030

32760 Detmold

Tel. +49 5231 14-0

Fax. +49 5231 14-2083

info@weidmueller.com

Technical data

System data

| | | | |
|--|------------------------------------|--------------------------------------|--|
| Configuration interface | Micro USB 2.0 | Connection type | www.weidmueller.com 2x RJ45 plug-in connectors |
| Diagnostic data | 3,008 Byte | Field bus protocol | EtherNet/IP |
| Galvanic isolation | 500 V DC between the current paths | Interface | u-remote system bus |
| Module type | Bus coupler | Parameter data | 4 kByte |
| Process data | 988 Byte | Transmission rate of field bus, max. | 100 Mbit/s |
| Transmission speed of system bus, max. | 48 Mbit/s | max. number of modules | 64 |

Classifications

| | | | |
|-------------|-------------|-------------|-------------|
| ETIM 6.0 | EC001603 | ETIM 7.0 | EC001603 |
| ETIM 8.0 | EC001603 | ECLASS 9.0 | 27-24-26-07 |
| ECLASS 9.1 | 27-24-26-07 | ECLASS 10.0 | 27-24-26-07 |
| ECLASS 11.0 | 27-24-26-07 | ECLASS 12.0 | 27-24-26-07 |

Environmental Product Compliance

| | |
|------------|--------------------------------------|
| REACH SVHC | Lead 7439-92-1 |
| SCIP | 98e19a7e-033b-4e68-93e3-c47b30de875e |

Approvals

Approvals



| | |
|------|---------|
| ROHS | Conform |
|------|---------|

Downloads

| | |
|---|---|
| Approval/Certificate/Document of Conformity | CCC certificate UKCA Declaration of Conformity - EN CE Declaration of Conformity - DE |
| Engineering Data | Compatibility information – Combinability of UR20 CAD data – STEP |
| Product Change Notification | Release-Notes - Firmware, EDS and Supported modules list |
| Software | Library and function block – Language Pack UR20_FBC Device description – Current EDS file EtherNet/IP-V2 coupler Firmware – Current Firmware files EtherNet/IP-V2 coupler Firmware – Archiv Firmware files EtherNet/IP-V2 coupler Device description – Archiv EDS files EtherNet/IP-V2 coupler Software – CIP Bridging Application notes – Use of UR20 Stations above 2000m sea level |
| User Documentation | MAN_U-REMOTE_DE MAN_U-REMOTE_EN MAN_UR20_WEBSERVER_DE MAN_UR20_WEBSERVER_EN |
| Catalogues | Catalogues in PDF-format |

Creation date March 2, 2023 4:43:42 PM CET

Catalogue status 18.02.2023 / We reserve the right to make technical changes.

3

UR20-FBC-EIP-V2

Weidmüller Interfaces GmbH & Co. KG

Postfach 3030

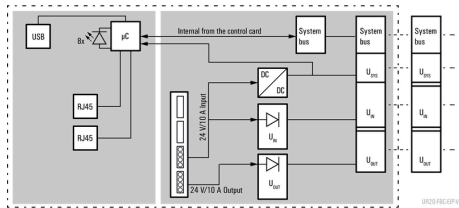
32760 Detmold

Tel. +49 5231 14-0

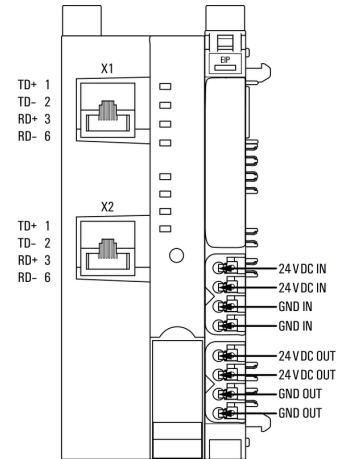
Fax. +49 5231 14-2083

Drawings

Block diagram



Connection diagram info@weidmueller.com



Explanation of abbreviations

Field bus coupler

