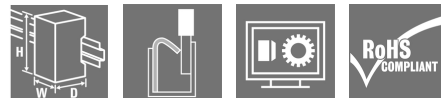


## UR20-4AI-UI-16

**Weidmüller Interface GmbH & Co. KG**  
 Klingenbergstraße 26  
 D-32758 Detmold  
 Germany

www.weidmueller.com

### Product image



### Inputs can be parameterised; up to 3-wire + FE; accuracy 0.1% FSR

Analogue input modules of the u-remote system are available in many variants with different resolutions and wiring solutions.

Variants are available with 12- and 16-bit resolution, which record up to 4 analogue sensors with +/-10 V, +/-5 V, 0...10 V, 0...5 V, 2...10 V, 1...5 V, 0...20 mA or 4...20 mA with maximum accuracy. Each plug-in connector can optionally connect sensors with 2- or 3-wire technology. The parameters for the measurement range can be individually set for each channel. In addition, each channel has its own status LED. A special variant for Weidmüller interface units enables current measurements with 16-bit resolution and maximum accuracy for 8 sensors at a time (0...20 mA or 4...20 mA).

The module electronics supply the connected sensors with power from the input current path ( $U_{IN}$ ).

### General ordering data

Version	Remote I/O module, IP20, 4-channel, Analog signals, Input, Current/Voltage, 16 Bit
Order No.	<a href="#">1315620000</a>
Type	UR20-4AI-UI-16
GTIN (EAN)	4050118118551
Qty.	1 pc(s).
Replacement parts	<a href="#">1350930000</a> <a href="#">1347200000</a> <a href="#">1484020000</a>

## UR20-4AI-UI-16

Weidmüller Interface GmbH &amp; Co. KG

Klingenbergstraße 26

D-32758 Detmold

Germany

www.weidmueller.com

## Technical data

## Dimensions and weights

Depth	76 mm	Depth (inches)	2.992 inch
Height	120 mm	Height (inches)	4.724 inch
Width	11.5 mm	Width (inches)	0.453 inch
Mounting dimension - height	128 mm	Net weight	89 g

## Temperatures

Storage temperature	-40 °C ... +85 °C	Operating temperature	-20 °C ... +60 °C
Operating temperature, min.	-20 °C	Operating temperature, max.	60 °C

## analogue inputs

Accuracy	0.1% FSR		
Conversion time	1 ms		
Individual channel diagnosis	No		
Internal resistance I	41.2 Ω		
Internal resistance U	100 kΩ		
Module diagnosis	Yes		
Number of analogue inputs	4		
Resolution	16 Bit		
Response time	< 50 ms		
Reverse polarity protection	Yes		
Sensor connection	2-wire, 3-wire, 3-wire + FE		
Sensor supply	Yes		
Sensor supply	nominal	750 mA	
	min.	0 mA	
	max.	750 mA	
Short-circuit-proof	Yes		
Type	1. U (0...5 V, 0...10 V, 1...5 V, 2...10 V, ±10 V), 2. I (0-20 mA or 4-20 mA), Adjustable input for current or voltage		

## Connection data

Type of connection	PUSH IN	Wire connection cross section, finely stranded, max.	1.5 mm <sup>2</sup>
Wire connection cross section, finely stranded, min.	0.14 mm <sup>2</sup>	Wire cross-section, finely stranded, max. (AWG)	AWG 16
Wire cross-section, finely stranded, min. (AWG)	AWG 26	Wire cross-section, solid, max.	1.5 mm <sup>2</sup>
Wire cross-section, solid, max. (AWG)	AWG 16	Wire cross-section, solid, min.	0.14 mm <sup>2</sup>
Wire cross-section, solid, min. (AWG)	AWG 26		

## UR20-4AI-UI-16

Weidmüller Interface GmbH &amp; Co. KG

Klingenbergstraße 26

D-32758 Detmold

Germany

www.weidmueller.com

## Technical data

## General data

Air humidity (operation)	10% to 95%, non-condensing as per DIN EN 61131-2	Air humidity (storage)	10% to 95%, non-condensing as per DIN EN 61131-2
Air humidity (transport)	10% to 95%, non-condensing as per DIN EN 61131-2	Air pressure (operation)	≥ 795 hPa (height ≤ 2000 m) as per DIN EN 61131-2
Air pressure (storage)	1013 hPa (height 0 m) to 700 hPa (height 3000 m) as per DIN EN 61131-2	Air pressure (transport)	1013 hPa (height 0 m) to 700 hPa (height 3000 m) as per DIN EN 61131-2
Pollution severity	2	Rail	TS 35
Shock	15 g over 11 ms, half sinus wave, acc. to IEC 60068-2-27	Surge voltage category	II
Test voltage	500 V	UL 94 flammability rating	V-0
Vibration resistance	5 Hz ≤ f ≤ 8.4 Hz: 3.5-mm amplitude as per IEC 60068-2-6, 8.4 Hz ≤ f ≤ 150 Hz: 1 g acceleration as per IEC 60068-2-6		

## Power supply

Current consumption from I <sub>IN</sub> (the respective power segment)	25 mA + sensor feed	Current consumption from I <sub>sys</sub> , typ.	8 mA
Reverse polarity protection	Yes	Voltage supply	24 V DC +20 %/ -15 %, via the system bus

## System data

Diagnostic data	1 Bit	Field bus protocol	PROFINET IRT, PROFINET RT, PROFIBUS DP-V1, EtherCAT, Modbus/TCP, EtherNet/IP, CANopen, DeviceNet, POWERLINK, CC-Link, CC-Link IE TSN, IEC 61162-450
Galvanic isolation	500 V DC between the current paths	Interface	u-remote system bus
Module type	Analogue input module	Parameter data	14 Byte
Process data	8 Byte	Transmission speed of system bus, max.	48 Mbit

## Classifications

ETIM 6.0	EC001596	ETIM 7.0	EC001596
ETIM 8.0	EC001596	ECLASS 9.0	27-24-26-01
ECLASS 9.1	27-24-26-01	ECLASS 10.0	27-24-26-01
ECLASS 11.0	27-24-26-01	ECLASS 12.0	27-24-26-01

**UR20-4AI-UI-16**

**Weidmüller Interface GmbH & Co. KG**  
 Klingenbergstraße 26  
 D-32758 Detmold  
 Germany

www.weidmueller.com

**Technical data**

**Tender specification sheets**

Long specification	Analogue input module 4AI-UI-16 4-channel analogue input module, positively switching Connection system: PUSH- IN Potentials on plugs: analogue input, 24 VDC and 0 V of the input path, FE Dimensions (HxWxD): 120 mm (with lever: 128 mm), 11.5 mm, 76 mm Module status: display via collective message, LED at the top of the module Channel status: indication directly at the contact point Weight: 88.6 g Module diagnosis: yes Individual channel diagnosis: no Reverse- polarity protection: yes Operating temperature: -20°C - +60°C Process data: 4 bits Diagnostic data: 1 bits Galvanic isolation: between field and system bus Supply voltage: 24 VDC +25% / -15% Internal current consumption: 8 mA Supply current consumption: 25 mA + sensor feed Accuracy: 0.1% FSR Resolution: 16 bits Conversion time: 1 ms Input parameters: voltage or current Internal resistance U: 100 kΩ Internal resistance I: 41.2 Ω Brand: Weidmüller Type: UR20-4AI-UI-16
--------------------	--

**Environmental Product Compliance**

REACH SVHC	Lead 7439-92-1
SCIP	82327f13-cd27-455a-ab5b-a62e1996dcf8

**UR20-4AI-UI-16**

**Weidmüller Interface GmbH & Co. KG**  
 Klingenbergstraße 26  
 D-32758 Detmold  
 Germany

www.weidmueller.com

**Technical data**

**Approvals**

Approvals



ROHS	Conform
UL File Number Search	UL Website
Certificate no. (cULus)	E141197
Certificate no. (cULusEX)	E223527

**Downloads**

Approval/Certificate/Document of Conformity	<a href="#">Compass safe distance certificate</a> <a href="#">Lloyds Register certificate</a> <a href="#">DNV/GL certificate</a> <a href="#">ABS certificate</a> <a href="#">RINA certificate</a> <a href="#">Bureau Veritas - Type Approval Certificate</a> <a href="#">PRS (Polish Register of Shipping)</a> <a href="#">NIPPON KAIJI KYOKAI Certificate</a> <a href="#">DEMKO 15ATEX1525X</a> <a href="#">CCC certificate</a> <a href="#">UKCA Declaration of Conformity - EN</a> <a href="#">CE Declaration of Conformity - DE</a>
Engineering Data	<a href="#">CAD data – STEP</a> <a href="#">Compatibility information – Combinability of UR20</a>
Engineering Data	<a href="#">WSCAD, Zuken E3.S</a>
Product Change Notification	<a href="#">Release-Notes - Firmware</a>
Software	<a href="#">Firmware – Current firmware UR20-4AI-UI</a> <a href="#">Firmware – Archive firmware UR20-4AI-UI</a>
User Documentation	<a href="#">MAN_U-REMOTE_DE</a> <a href="#">MAN_U-REMOTE_EN</a>
Catalogues	<a href="#">Catalogues in PDF-format</a>

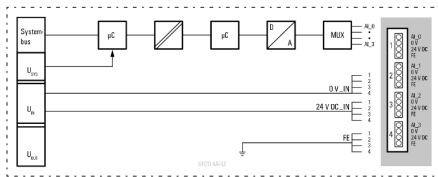
**UR20-4AI-UI-16**

**Weidmüller Interface GmbH & Co. KG**  
 Klingenbergstraße 26  
 D-32758 Detmold  
 Germany

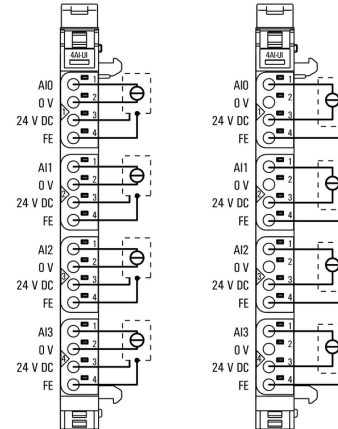
www.weidmueller.com

**Drawings**

**Block diagram**

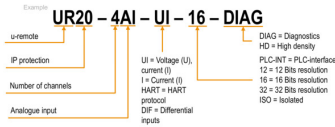


**Connection diagram**



**Explanation of abbreviations**

**Analogue input modules**



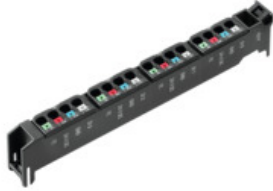
**UR20-4AI-UI-16**

**Weidmüller Interface GmbH & Co. KG**  
 Klingenbergstraße 26  
 D-32758 Detmold  
 Germany

www.weidmueller.com

**Replacement parts**

**Plugkit**



**General ordering data**

Type	UR20-PK-13 15620000-SP	Version	
Order No.	<a href="#">1484020000</a>	Replacement part	
GTIN (EAN)	4050118293630		
Qty.	5 pc(s).		

**Basic modules**



**General ordering data**

Type	UR20-BM-SP	Version		Packaging
Order No.	<a href="#">1350930000</a>	Replacement part , Flange-mounted housing		Cardboard box
GTIN (EAN)	4050118402735			
Qty.	5 pc(s).			

**Data sheet****UR20-4AI-UI-16**

**Weidmüller Interface GmbH & Co. KG**  
Klingenbergstraße 26  
D-32758 Detmold  
Germany

[www.weidmueller.com](http://www.weidmueller.com)

**Replacement parts****Electronic modules****General ordering data**

Type	UR20-EM-1315620000-SP	Version
Order No.	<a href="#">1347200000</a>	Replacement part ,
GTIN (EAN)	4050118248340	
Qty.	1 pc(s).	



## UR20-4AI-UI-16

**Weidmüller Interface GmbH & Co. KG**  
 Klingenbergstraße 26  
 D-32758 Detmold  
 Germany

www.weidmueller.com

## Accessories

## Steel



Steel DIN rails are the most widespread on the market. Among metal DIN rails, they have the lowest shortcircuit protection, similar to stainless steel.

## General ordering data

Type	TS 35X7.5 2M/ST/ZN	Version
Order No.	<a href="#">0383400000</a>	Rail, TS 35, TS 35 x 7.5, without slot, Steel, galvanic zinc plated and passivated
GTIN (EAN)	4008190088026	
Qty.	2 m	
Type	TS 35X7.5/LL 2M/ST/ZN	Version
Order No.	<a href="#">0514500000</a>	Rail, TS 35, TS 35 x 7.5, with slot, Steel, galvanic zinc plated and passivated
GTIN (EAN)	4008190046019	
Qty.	2 m	
Type	TS 35X7.5/LL 2M/ST/SZ	Version
Order No.	<a href="#">7915060000</a>	Rail, TS 35, TS 35 x 7.5, with slot, Steel, galvanic zinc plated and passivated
GTIN (EAN)	4032248296279	
Qty.	2 m	
Type	TS 35X7.5/LL 1M/ST/ZN	Version
Order No.	<a href="#">0514510000</a>	Rail, TS 35, TS 35 x 7.5, with slot, Steel, galvanic zinc plated and passivated
GTIN (EAN)	4008190116620	
Qty.	1 m	

## Aluminum



Aluminum has the second best electrical conductivity after copper. One advantage is low weight, anMiscellaneous is outstanding corrosion protection.

## General ordering data

Type	TS 35X7.5 2M/AL/BK	Version
Order No.	<a href="#">0330800000</a>	Rail, TS 35, TS 35 x 7.5, without slot, Aluminium, untreated
GTIN (EAN)	4008190100650	
Qty.	2 m	

**UR20-4AI-UI-16**

**Weidmüller Interface GmbH & Co. KG**  
 Klingenbergstraße 26  
 D-32758 Detmold  
 Germany

www.weidmueller.com

**Accessories**

**Custom printing**



The Dekafix (DEK) marker is the universal marker for all conductor and plug-in connectors as well as for electronic sub-assemblies. The system is ideal for short number sequences and covers a wide range of ready-printed markers.

Strips for fast installation in only one work step. The printing is easy to read, rich in contrast and available in various widths.

- Large range of ready-to-use markers
- Strips for fast installation
- Terminal markers, suitable for all Weidmüller cable connectors
- Available as blank MultiCard or with standard printing

**For custom printing:** Please send us a file of our labeling software M-Print PRO or M-Print PRO Online (without installation) for your labeling specifications.

**General ordering data**

Type	DEK 5/8-11.5 MC SDR	Version	
Order No.	<a href="#">1341610000</a>		Dekafix, Terminal marker, 5 x 8 mm, Pitch in mm (P): 8.00
GTIN (EAN)	4050118146059		Weidmueller, To customer specification
Qty.	100 pc(s).		

**Blank**



**General ordering data**

Type	PM 2.7/2.6 MC NE WS	Version	
Order No.	<a href="#">1323710000</a>		OMNIMATE Signal - series PM, Pusher markers, 2.7 x 2.6 mm, Pitch in mm (P): 3.50 Weidmueller, white
GTIN (EAN)	4050118126778		
Qty.	960 pc(s).		

## UR20-4AI-UI-16

**Weidmüller Interface GmbH & Co. KG**  
 Klingenbergstraße 26  
 D-32758 Detmold  
 Germany

www.weidmueller.com

# Accessories

## Stainless steel



Stainless steel is a collective term for all types of steel (alloys) with a high degree of purity and corrosion resistance.

### General ordering data

Type	TS 35X7.5 2M/CRN	Version
Order No.	<a href="#">1747350000</a>	Rail, TS 35, TS 35 x 7.5, without slot, Stainless steel, rust-proof.
GTIN (EAN)	4032248003372	Stainless steel 1.4301, untreated
Qty.	2 m	

## Accessories



### Potential-distribution modules; system accessory

A wide range of accessory modules is available for individual requirements of machine and plant engineering. Various potential distribution modules are available for the supply of sensors with 2- to 4-wire connection technology directly from the remote I/O system. These offer 16 "PUSH IN" potential points and supply your application with any auxiliary potential available. An empty module, where the system bus and voltage supply are looped through, allows you to plan expansion slots in a system and to start these up without any interruptions if required.

### General ordering data

Type	UR20-SM-ACC	Version
Order No.	<a href="#">1339920000</a>	Cover, ,
GTIN (EAN)	4050118144727	
Qty.	20 pc(s).	
Type	UR20-EBK-ACC	Version
Order No.	<a href="#">1346610000</a>	End bracket, ,
GTIN (EAN)	4050118151596	
Qty.	5 pc(s).	

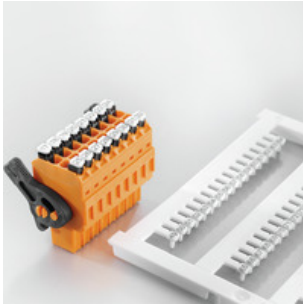
**UR20-4AI-UI-16**

**Weidmüller Interface GmbH & Co. KG**  
 Klingenbergstraße 26  
 D-32758 Detmold  
 Germany

www.weidmueller.com

**Accessories**

**Custom printing**



**General ordering data**

Type	PM 2.7/2.6 MC SDR	Version
Order No.	<a href="#">1323700000</a>	OMNIMATE Signal - series PM, Pusher markers, 2.7 x 2.6 mm, Pitch in
GTIN (EAN)	4050118126761	mm (P): 3.50 Weidmueller, To customer specification
Qty.	192 pc(s).	

**Blank**



The Dekafix (DEK) marker is the universal marker for all conductor and plug-in connectors as well as for electronic sub-assemblies. The system is ideal for short number sequences and covers a wide range of ready-printed markers.

Strips for fast installation in only one work step. The printing is easy to read, rich in contrast and available in various widths.

- Large range of ready-to-use markers
- Strips for fast installation
- Terminal markers, suitable for all Weidmüller cable connectors
- Available as blank MultiCard or with standard printing

**For custom printing:** Please send us a file of our labeling software M-Print PRO or M-Print PRO Online (without installation) for your labeling specifications.

**General ordering data**

Type	DEK 5/8-11.5 MC NE WS	Version
Order No.	<a href="#">1341630000</a>	Dekafix, Terminal marker, 5 x 8 mm, Pitch in mm (P): 8.00
GTIN (EAN)	4050118145946	Weidmueller, white
Qty.	500 pc(s).	