

# MICRO SWITCH

A DIVISION OF MINNEAPOLIS-HONEYWELL REGULATOR COMPANY  
PREPONT ILLINOIS  
FED. MFR CODE 91929

## ACTUATOR - SWITCH

CATALOG LISTING  
JS-2

(M) JS-2  
ISSUE 4

JS-2

M

DRAWING NUMBER

6

9

ISSUE

X 2

### REVISIONS

A	CO 1800	KFM	2 FEB 56
B	CO 12901	NBF	11 MAY 59
C	CO 17304	NBF	6 JUNE 63
D	CO 47771	CJH	17 MAY 80
E	CO 78303	DLT	7 MAR 85

REPLACES

RELEASE NO.

CHECK

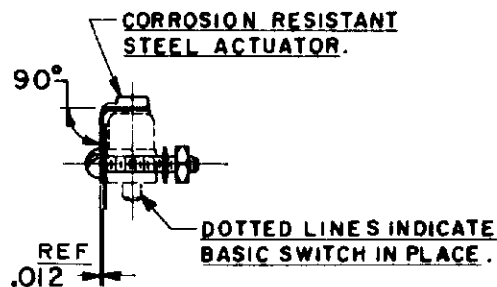
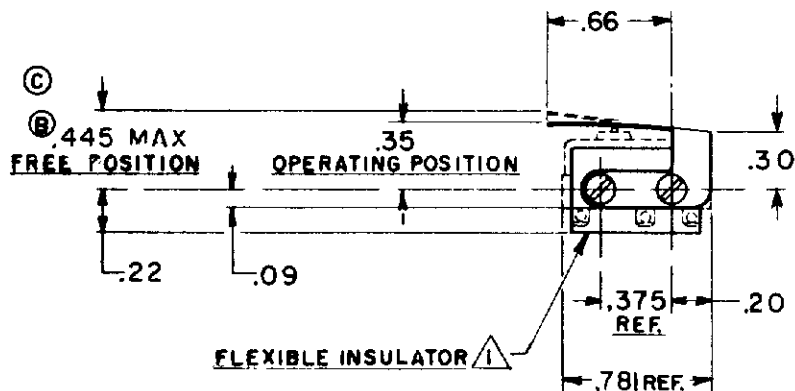
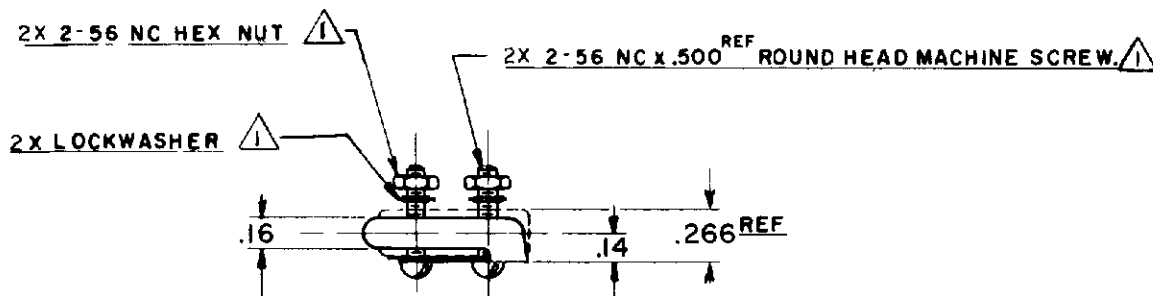
CHECK

CHECK

3 FEB 56

DRAWN

KFM



NOTE -  
△ FURNISHED UNASSEMBLED

THIS DRAWING COVERS A PROPRIETARY ITEM AND IS THE PROPERTY OF MICRO SWITCH A DIVISION OF HONEYWELL. THIS DRAWING IS NOT TO BE COPIED OR USED WITHOUT THE APPROVAL OF MICRO SWITCH

### CHARACTERISTICS WITH ISMI SWITCH INSTALLED

OPERATING FORCE - - - 10 OZ. MAX.

RELEASE FORCE - - - (C) 2 OZ. MIN.

PRETRAVEL - - - - .078 MAX.

DIFFERENTIAL TRAVEL - - - 0.5 MAX

OVERTRAVEL - - - - 0.5 MIN.

### ELECTRICAL DATA

CONTACT ARRANGEMENT	BREAK DISTANCE
---------------------	----------------

### SCALE FULL

DO NOT SCALE PRINT

UNLESS OTHERWISE SPECIFIED  
DIMENSIONS ARE IN INCHES  
**TOLERANCES ARE:**

ONE PLACE	(0)	±.030
TWO PLACE	(.00)	±.015
THREE PLACE	(.000)	±.005
ANGLES		±2°

WEIGHT