



AD500-9 TO

Description

Circular active area APD chip with NIR enhanced sensitivity. Metal can type hermetic TO52 package with 905nm BP filter.

Features

- APD with 0.2 mm² active area
- Slow multiplication curve
- QE > 80% @ 750 nm-910 nm
- Fast rise time, low noise
- Optimum gain: 50-60

Applications

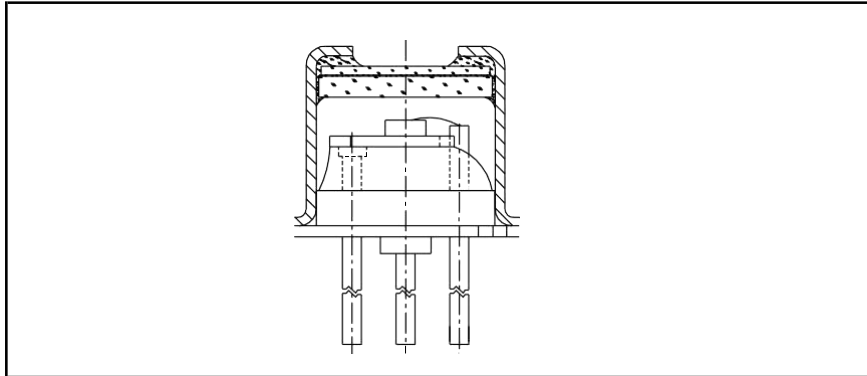
- LIDAR
- Laser range finder
- High speed photometry
- High speed optical communications

RoHS

2011/65/EU

2015/863/EU

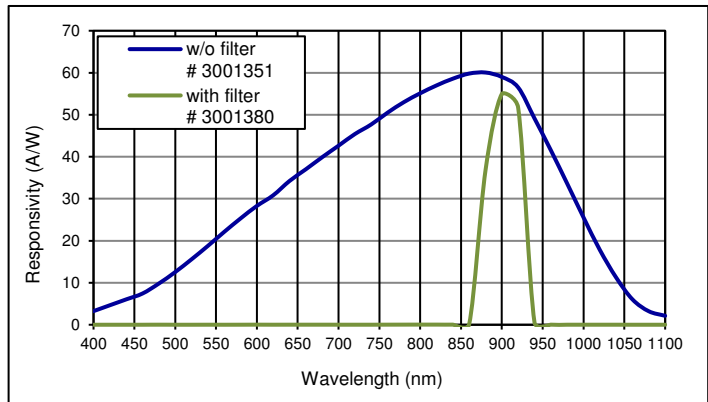
[CLICK HERE >](#)
CONNECT WITH A SPECIALIST



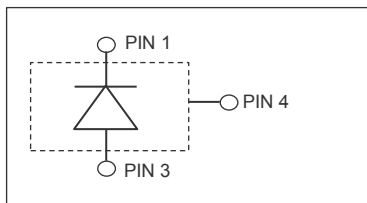
Absolute maximum rating

Symbol	Parameter	Min	Max	Unit
T_{STG}	Storage temp	-55	125	°C
T_{OP}	Operating temp	-40	100	°C
M_{max}	Gain ($I_{P0} = 1 \text{ nA}$)	200		
I_{PEAK}	Peak DC current		0.25	mA

Spectral response ($M = 100$)



Schematic

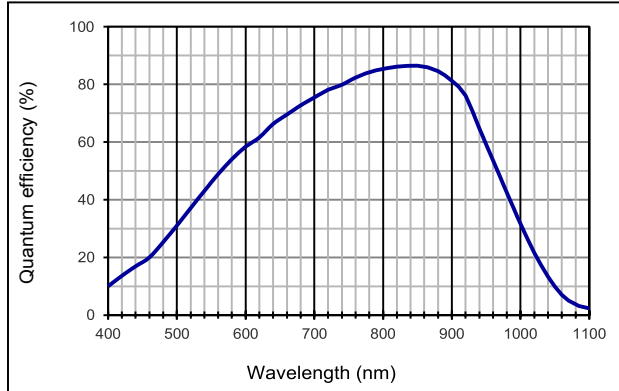


Electro-optical characteristics @ 23°C

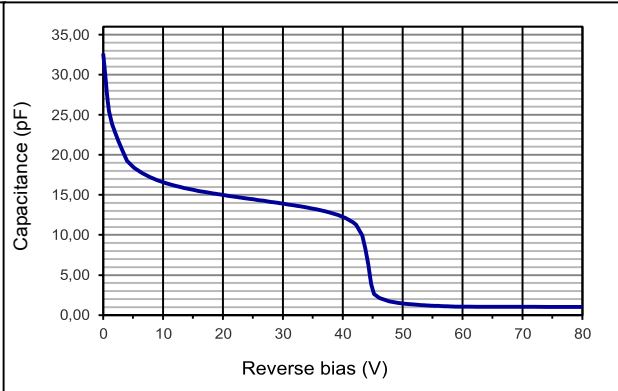
Symbol	Characteristic	Test Condition	Min	Typ	Max	Unit
	Active area		diameter 500			μm
	Active area		0.196			mm ²
I_D	Dark current	$M = 100$		0.8	2.0	nA
C	Capacitance	$M = 100; f = 100 \text{ kHz}$		1.2		pF
	Responsivity with filter	$M = 100; \lambda = 905 \text{ nm}$	38	49		A/W
t_R	Rise time	$M = 100; \lambda = 905 \text{ nm}; R_L = 50 \Omega$		0.9	1.2	ns
	Cut-off frequency	-3dB		0.4		GHz
V_{BR}	Breakdown voltage*	$I_R = 2 \mu\text{A}$	160		200	V
	Temperature coefficient	Change of V_{BR} with temperature	1.25	1.45	1.55	V/K

* ±2V measuring tolerance on upper and lower limits

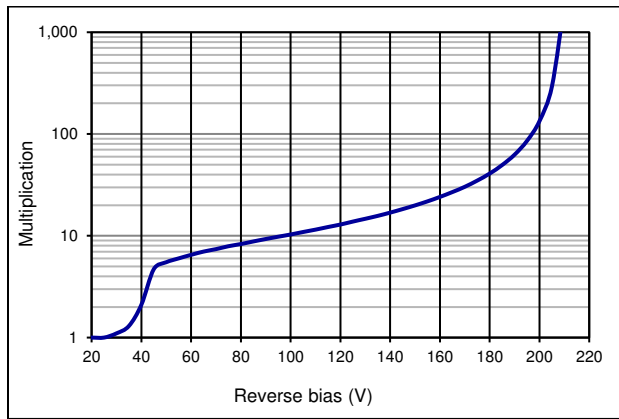
Quantum efficiency (23 °C)



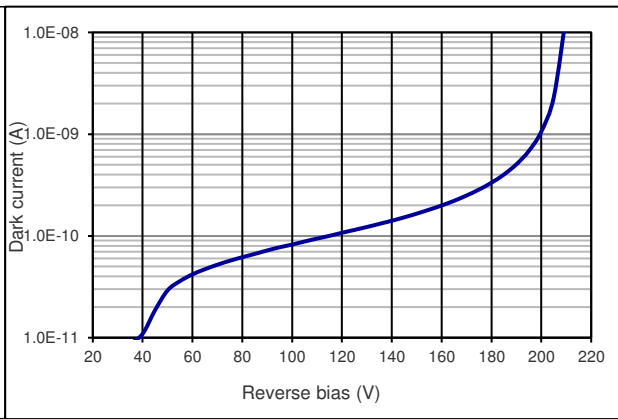
Capacitance as fct of reverse bias (23 °C)



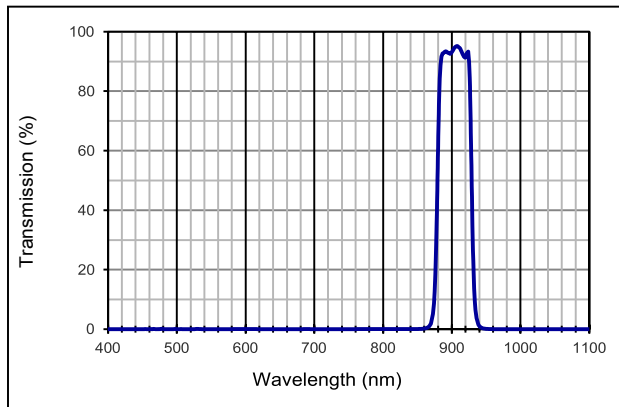
Multiplication as fct of bias (23 °C)



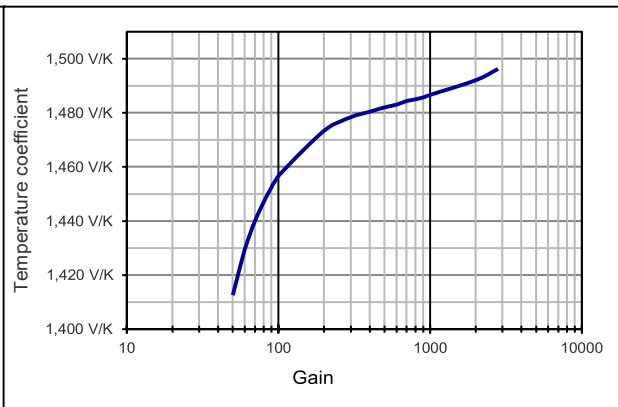
Dark current as fct of bias (23 °C)



Filter characteristics 905 nm band pass



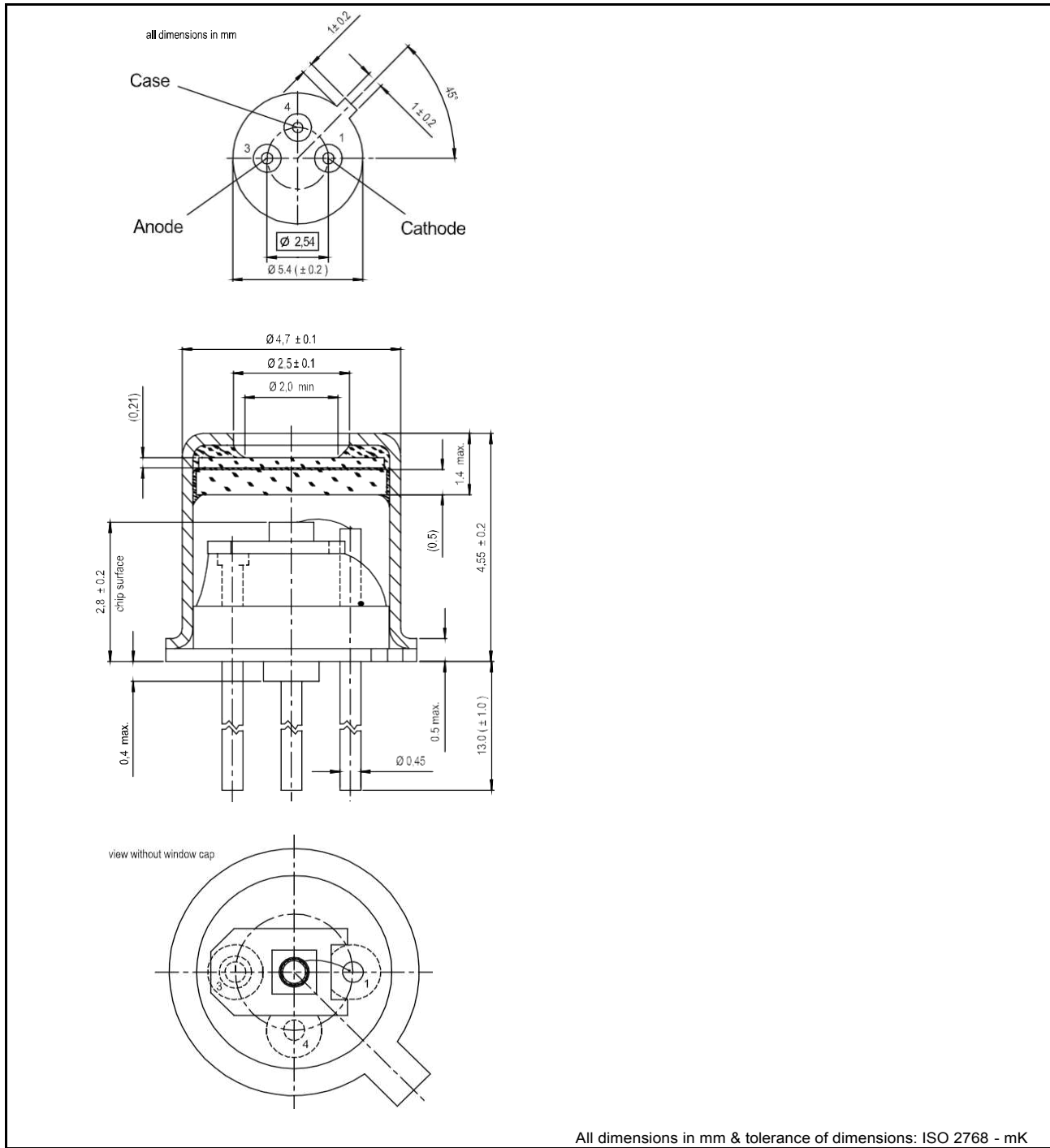
TC as fct of Gain



Application hints:

- Current should be limited by a protecting resistor or current limiting - IC inside the power supply
- For low light level applications blocking of ambient light should be used
- For high gain applications bias voltage should be temperature compensated
- Please consider basic ESD protection while handling
- Use low noise read-out - IC
- For further questions please refer to document "Instructions for handling and processing"

Package: TO52S1F2



All dimensions in mm & tolerance of dimensions: ISO 2768 - mK

Package dimension

Small quantities: Foam pad, boxed (12 cm x 16.5 cm)

Disclaimer: Due to our strive for continuous improvement, specifications are subject to change within our PCN policy according to JESD46C.

AD500-9 TO

Optical inspection

Optical inspection according to failure catalogue for optical sensors FK INS 203.

Ordering Information

Description	TE Part Number	MPQ
AD500-9 TO (TO52S1F2;BP905;160-200V)	3001380-F	1000 pcs

[CLICK HERE >](#)
CONNECT WITH A SPECIALIST

NORTH AMERICA
Tel +1 800 522 6752

EUROPE
Tel +31 73 624 6999

ASIA
Tel +86 0400 820 6015

te.com/sensors

TE Connectivity, TE, TE Connectivity (logo) and Every Connection Counts are trademarks. All other logos, products and/or company names referred to herein might be trademarks of their respective owners

The information given herein, including drawings, illustrations and schematics which are intended for illustration purposes only, is believed to be reliable. However, TE Connectivity makes no warranties as to its accuracy or completeness and disclaims any liability in connection with its use. TE Connectivity's obligations shall only be as set forth in TE Connectivity's Standard Terms and Conditions of Sale for this product and in no case will TE Connectivity be liable for any incidental, indirect or consequential damages arising out of the sale, resale, use or misuse of the product. Users of TE Connectivity products should make their own evaluation to determine the suitability of each such product for the specific application.

© 2021 TE Connectivity Corporation. All Rights Reserved.

Version # 07/2022

