

1-2369516-1 ✓ ACTIVE

TE Internal #: 1-2369516-1

Wire-to-Board, 18 Position, 6 mm [.023 in] Centerline, One Piece -
IDC, Silver, Sealable, Signal, Black

[View on TE.com >](#)



Connectors > PCB Connectors > PCB Headers & Receptacles > Heavy Duty Sealed Connector Headers



Connector System: **Wire-to-Board**

Number of Positions: **18**

Number of Rows: **2**

Centerline (Pitch): **6 mm [.023 in]**

Header Type: **One Piece - IDC**

[All Heavy Duty Sealed Connector Headers \(18\)](#)

Features

Product Type Features

Hybrid Header	No
Connector System	Wire-to-Board
Header Type	One Piece - IDC
Sealable	Yes

Configuration Features

Connector Contact Load Condition	Fully Loaded
Number of Positions	18
Number of Rows	2

Electrical Characteristics

Nominal Voltage Architecture	12 V
Operating Voltage	24 VDC

Body Features

Connector & Keying Code	A
-------------------------	---



Primary Product Color	Black
-----------------------	-------

Contact Features

Contact Fabrication	Stamped & Formed
Contact Mating Area Plating Material Finish	Matte
Contact Underplating Material	Nickel
Contact Base Material	Bronze Alloy
Contact Mating Area Plating Material	Silver
Contact Type	Splicing Contact

Mechanical Attachment

Connector Mounting Type	Cable Mount (Free-Hanging)
Mating Alignment	With

Housing Features

Housing Material	PBT GF30
Centerline (Pitch)	6 mm [.023 in]

Dimensions

Connector Length	52.2 mm
Connector Height	33.2 mm
Connector Width	26.7 mm

Usage Conditions

Operating Temperature Range	-40 – 140 °C [-40 – 140 °F]
-----------------------------	-----------------------------

Operation/Application

Circuit Application	Signal
---------------------	--------

Industry Standards

UL Flammability Rating	UL 94V-0
------------------------	----------

Packaging Features

Packaging Type	Carton
----------------	--------

Product Compliance

[For compliance documentation, visit the product page on TE.com>](#)

EU RoHS Directive 2011/65/EU	Compliant
EU ELV Directive 2000/53/EC	Compliant
China RoHS 2 Directive MIIT Order No 32, 2016	No Restricted Materials Above Threshold

EU REACH Regulation (EC) No. 1907/2006

Current ECHA Candidate List: JAN 2023 (233)

Candidate List Declared Against: JAN 2023 (233)

Does not contain REACH SVHC

Halogen Content

Not Low Halogen - contains Br or Cl > 900 ppm.

Solder Process Capability

Not reviewed for solder process capability

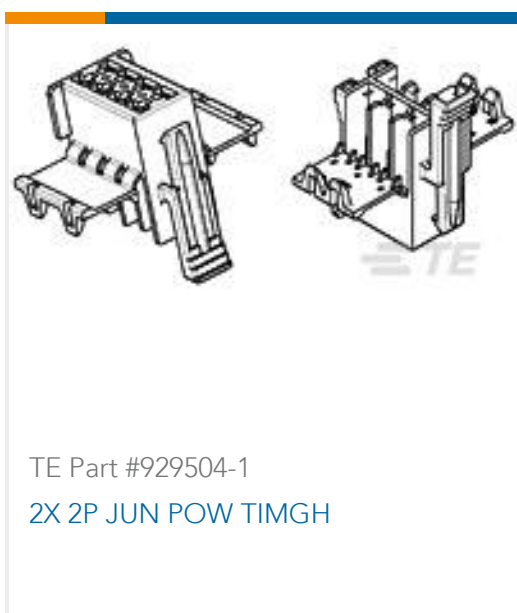
Product Compliance Disclaimer

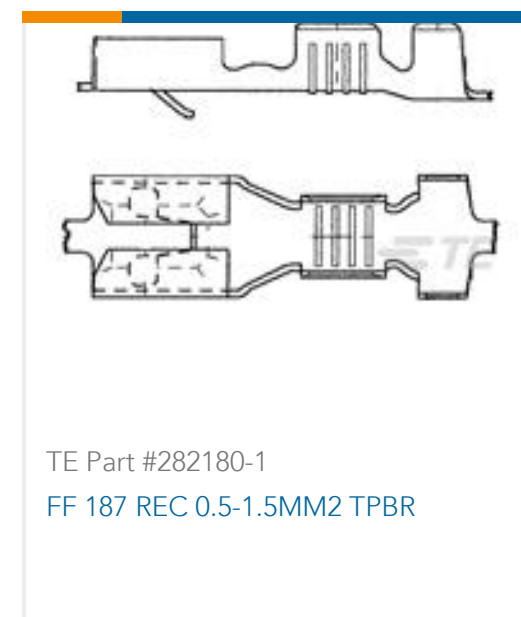
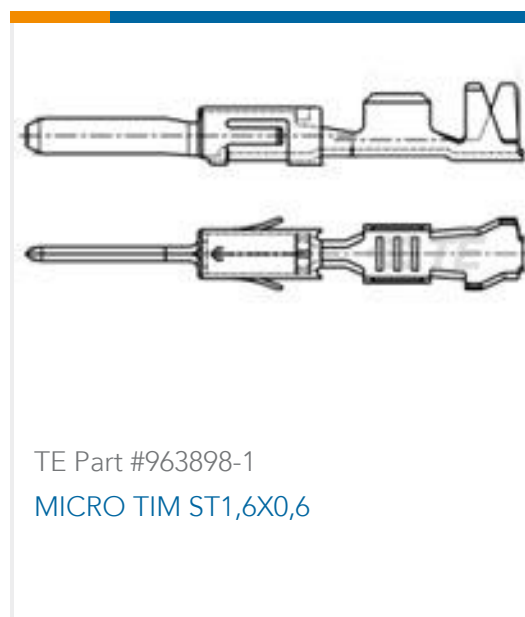
This information is provided based on reasonable inquiry of our suppliers and represents our current actual knowledge based on the information they provided. This information is subject to change. The part numbers that TE has identified as EU RoHS compliant have a maximum concentration of 0.1% by weight in homogenous materials for lead, hexavalent chromium, mercury, PBB, PBDE, DBP, BBP, DEHP, DIBP, and 0.01% for cadmium, or qualify for an exemption to these limits as defined in the Annexes of Directive 2011/65/EU (RoHS2). Finished electrical and electronic equipment products will be CE marked as required by Directive 2011/65/EU. Components may not be CE marked. Additionally, the part numbers that TE has identified as EU ELV compliant have a maximum concentration of 0.1% by weight in homogenous materials for lead, hexavalent chromium, and mercury, and 0.01% for cadmium, or qualify for an exemption to these limits as defined in the Annexes of Directive 2000/53/EC (ELV). Regarding the REACH Regulation, the information TE provides on SVHC in articles for this part number is based on the latest European Chemicals Agency (ECHA) 'Guidance on requirements for substances in articles' posted at this URL: <https://echa.europa.eu/guidance-documents/guidance-on-reach>

Compatible Parts



Customers Also Bought





Documents

Product Drawings

[18POS,TAB1.6X0.6,HDR ASSY,180DEG,COD A](#)

English

CAD Files

[3D PDF](#)

3D

Customer View Model

[ENG_CVM_CVM_1-2369516-1_A.2d_dxf.zip](#)

English

Customer View Model

[ENG_CVM_CVM_1-2369516-1_A.3d_igs.zip](#)

English

Customer View Model

[ENG_CVM_CVM_1-2369516-1_A.3d_stp.zip](#)

English

By downloading the CAD file I accept and agree to the [Terms and Conditions](#) of use.

Product Specifications

[Product Specification](#)

English