

Features

- Universal input 100-240VAC
- Approved to UKCA, CE, cULus, RCM (C-Tick) RoHS & REACH
- UL/EN/IEC 62368-1 Safety Approved
- Meets Efficiency Level VI
- FCC Class B Certified
- Single Output 9-30V DC
- OVP, OCP, OTP SCP



Ideal Power's 15DYS850-xyW 50W AC/DC External Desktop Power Supply (PSU) Series are certified to UKCA, CE, cULus, TUV, RCM (C-Tick), RoHS, REACH & UL/IEC/EN 62368-1 Standards and comply with Efficiency Regulations. These are primarily used in ITE, Audio & Video Industries and customised solutions are available upon request.

Models

Model Number	Output Voltage V DC	Output Current A	Output Power W
15DYS850-090500W	9	5	45
15DYS850-120420W	12	4.2	50
15DYS850-150336W	15	3.36	50
15DYS850-180280W	18	2.8	50
15DYS850-240210W	24	2.1	50
15DYS850-300168W	30	1.68	50

Input Data

	Min	Typical	Max	Units	Notes
Input Voltage	90	--	264	V AC	100-240VAC +/- 10%
Input Frequency	47	--	63	Hz	50-60Hz +/- 5%
Input Current		--	1.3	A	
Inrush Current	0	--	80	A	At cold start, 100 / 240V AC
Leakage Current	--	--	0.25	mA	

Output Data

	Min	Typical	Max	Units	Notes
Output Voltage		5		%	
Ripple & Noise		150		%	
Over Current Protection					Over Current Point Limited >2.16A
Short Circuit Protection					Will recover if fault condition is removed
Over Voltage Protection					Will recover if fault condition is removed

Environmental Data

	Min	Typical	Max	Units	Notes
Operating Temperature	0	--	+40	°C	
Storage Temperature	-20	--	+80	°C	
Operating Humidity	10	--	90	°C	Operating 10% to 90%
Storage Humidity	5	--	95	°C	Storage 5% to 95%

Other Information

	Min	Typical	Max	Units	Notes
Isolation	--	--	--	--	Primary to Secondary: 4242VDC/5mAMax (3 seconds)
MTBF	--	50,000	--	hrs	At 25°C, Full load and nominal
Weight					200 +/-10g
Dimensions					Refer to mechanical drawings

EMC Emissions (2014/30/EU)

	Standard	Test Level	Criteria	Notes
Conducted	EN 55032	Pass	B	EMC Directive 2014/30/EU
Radiated	EN 55032	Pass	B	
Harmonic Standard	EN 61000-3-2		Class D	P.F. shall >0.95 @100Vac input and >0.9 @240Vac input

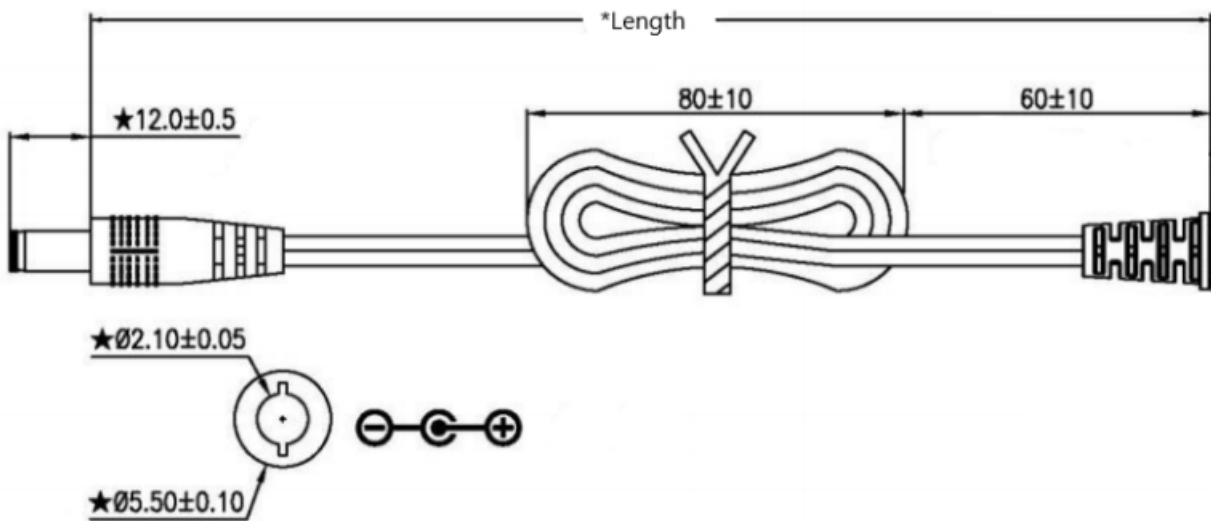
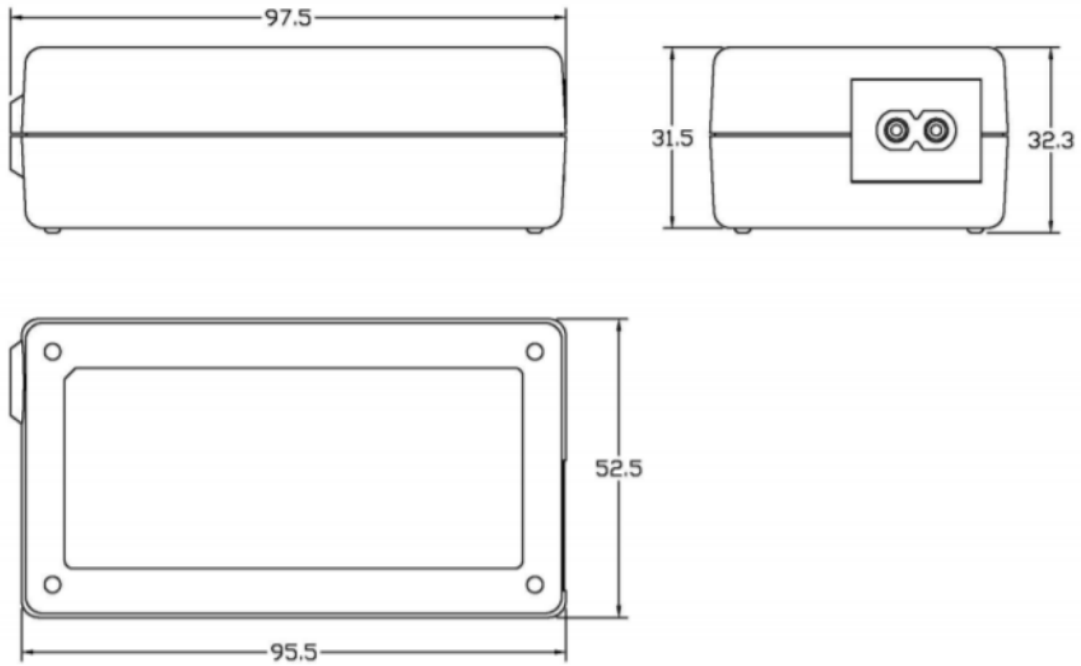
EMC Immunity (2014/30/EU)

	Standard	Test Level	Criteria	Notes
EMS	EN 55035			
EMS	EN 61204-3			
ESD	IEC 61000-4-2		B	Contact: +/- 4KV; Air: +/- 8KV
RS	IEC 61000-4-3			Frequency: 80-1000MHz; Field Strength: 3V/M ' 80% AM (1KHz)
EFT	IEC 61000-4-4		A/B	0.5/1.0KV on input AC power ports
Surge	IEC 61000-4-5		A	Line to Line: +/- 1KV (peak); Line to F.G: +/- 2KV (peak)

Safety Approvals

	Safety Standards
RoHS/REACH	RoHS Directive (EU) 2015/863 & REACH (205 SVHC)
CE LVD Directive 2014/35/EU	Yes (UK/European)
cULus	Yes
TUV	Yes
RCM & C-Tick	Yes

Mechanical Drawing



Model Number	Output Cable
15DYS850-090500W	1.2m UL2468
15DYS850-120420W	1.2m UL2468
15DYS850-150336W	1.5m UL2468
15DYS850-180280W	1.5m UL2468
15DYS850-240210W	1.5m UL2468
15DYS850-300168W	1.5m UL2468