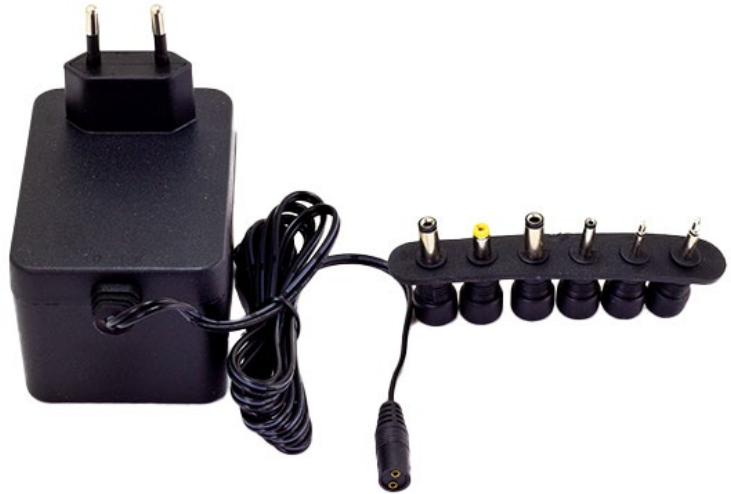


Features

- 230V AC 50Hz Input
- Direct Euro Fixed Plugtop Adapters
- Approved to CE, RoHS & REACH
- EN/IEC 61558-1 & 61558-2-6 Safety Approved
- Meets Efficiency Level VI & (EU) 2019/1782
- Output Voltage 15V
- Output Current 0.67A



Ideal Power's 77DE-10-xy-M 10VA AC/AC External Adapter Euro Plugtop Power Supply (PSU) Series are certified to CE, RoHS, REACH & EN/IEC 61558-1/61558-2-6 Standards and comply with (EU) 2019/1782, Level VI Efficiency Regulations. These are primarily used in ITE, Audio & Video Industries and customised solutions are available upon request.

Models

Model Number	Output Voltage V AC	Output Current Amp	Output Power VA
77DE-10-15M	15	0.67	10

Input Data

	Min	Typical	Max	Units
Input Voltage	--	230	--	V AC
Input Frequency	--	50	--	Hz

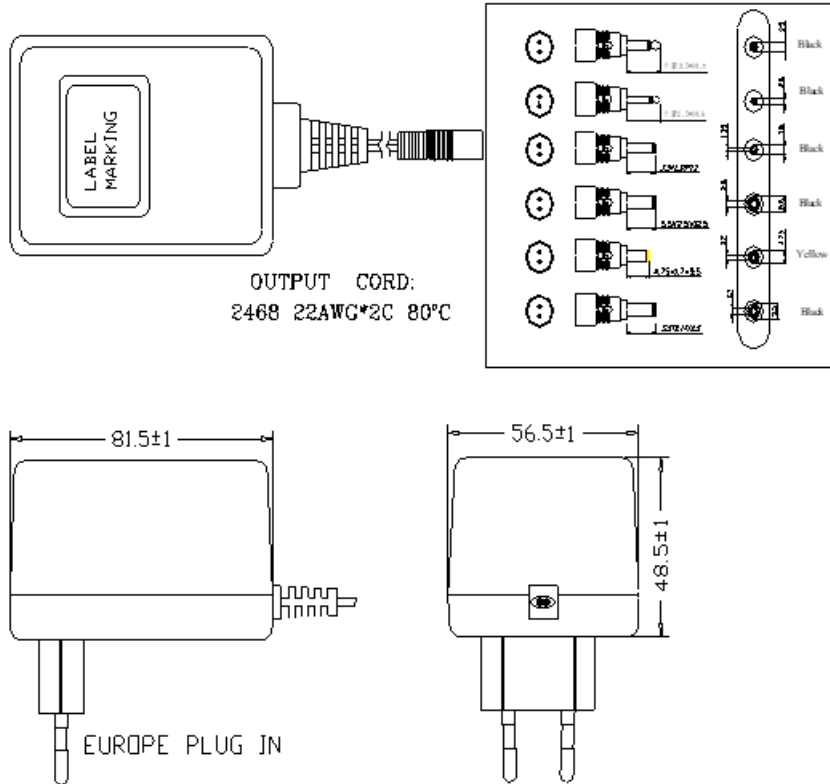
General Specifications

	Min	Typical	Max	Units	Notes
Operating Temperature	-10	--	+40	°C	
Storage Temperature	-20	--	+70	°C	
Relative Temperature	--	40	--	°C	±2°C
Relative Humidity	--	90	--	RH	
HI-POT:					
PRI To SEC		4200		V	
PRI To CORE	--	4200	--		
SEC To CORE		2100			
Safety Standard	EN/IEC 61558-1 & 61558-2-6				
Insulation Class	B (130) °C				

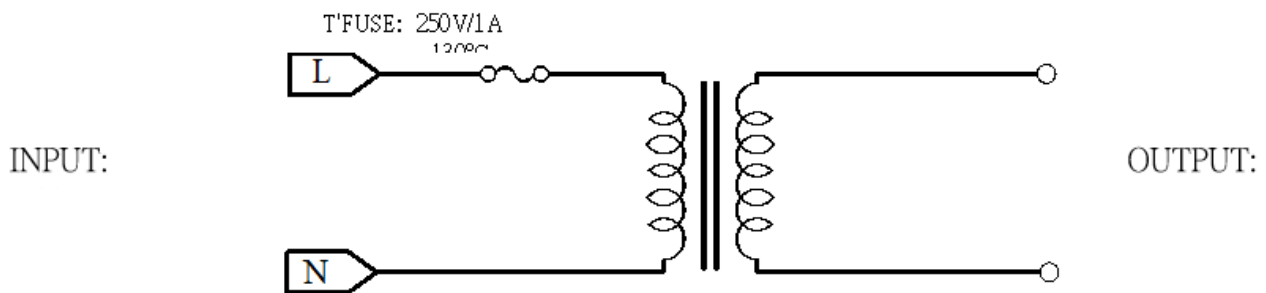
Other Information

Dimensions	76.5 x 48 x 40 mm
Output Cable	2468 22AWG*2C 1.8m Length + 5.5x2.1x12mm (I)DC Plug

Mechanical Drawing



Electrical Circuit



AC - AC