

Product data sheet

Specifications

SQUARE D

Green Premium™



Industrial control transformer, Type T, 1 phase, 1500VA, 600V primary, 120V secondary, 50/60Hz

9070T1500D5

Product availability : Stock - Normally stocked in distribution facility

Main

Product Type	Industrial Control Transformer
Power Rating	1500 VA
Type	T

Complementary

Number of Phases	1 phase 1500 VA UL 1500 VA CSA 1500 VA NOM 1000 VA
Temperature Rise	115 °C
Electrical Connection	Screw clamp terminals
Height	6.17 in (156.72 mm)
Width	7.06 in (179.32 mm)
Depth	5.92 in (150.37 mm)
Material	Copper winding
Fingersafe Cover Compatibility	FSC2

Environment

Certifications	CSA file LR37055 guide 184-N-90 UL listed file E61239
Enclosure Type	Not rated (open device)
Insulation Temperature	356 °F (180 °C)

Ordering and shipping details

Category	16206-9070 T (NOT TF) MTO
Discount Schedule	CP8
GTIN	785901338574
Returnability	Yes
Country of origin	US

Packing Units

Unit Type of Package 1	PCE
Number of Units in Package 1	1
Package 1 Height	12.10 in (30.734 cm)
Package 1 Width	11.70 in (29.718 cm)
Package 1 Length	14.90 in (37.846 cm)
Package 1 Weight	36.13 lb(US) (16.39 kg)

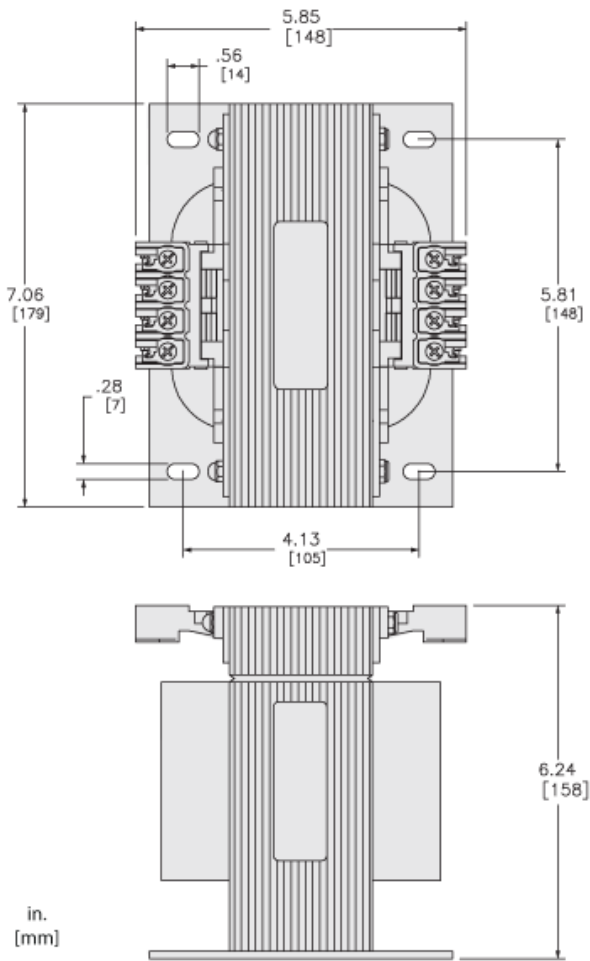
Offer Sustainability

Sustainable offer status	Green Premium product
California proposition 65	WARNING: This product can expose you to chemicals including: Phenyl glycidyl ether, which is known to the State of California to cause cancer and birth defects or other reproductive harm. For more information go to www.P65Warnings.ca.gov
REACH Regulation	REACH Declaration
EU RoHS Directive	Compliant EU RoHS Declaration
Mercury free	Yes
China RoHS Regulation	China RoHS declaration Product out of China RoHS scope. Substance declaration for your information.
RoHS exemption information	Yes
Environmental Disclosure	Product Environmental Profile
PVC free	Yes

Contractual warranty

Warranty	18 months
----------	-----------

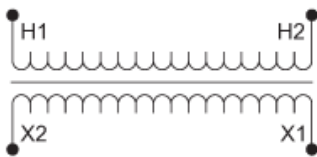
Approximate Dimensions



Connections and Wiring Diagrams

Voltage and Connection Options

Voltage Code	Voltages		Connections	
	Primary	Secondary	Primary	Secondary
D3	208	120	Connect to H1 and H2	Connect to X1 and X2
D4	277	120		
D5	550	110		
	575	115		
	600	120		
D6	380	110		
D17	415	110		
D24	110	110		
	115	115		
	120	120		
D93	200	115		
D103	400	120		



Recommended replacement(s)