

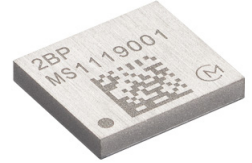
UWB Modules

Type 2BP

In Production

Murata Type2BP is the ultra small UWB module which includes NXP's SR150 UWB chipset, clock, filters and peripheral components.

Ideally suited for general IoT devices including battery operated devices.



[↓ Features](#) [↓ Product Information](#) [↓ Block Diagram](#) [↓ Evaluation Kit](#) [↓ Purchase](#)

Features

Small size UWB module with comformal shielding

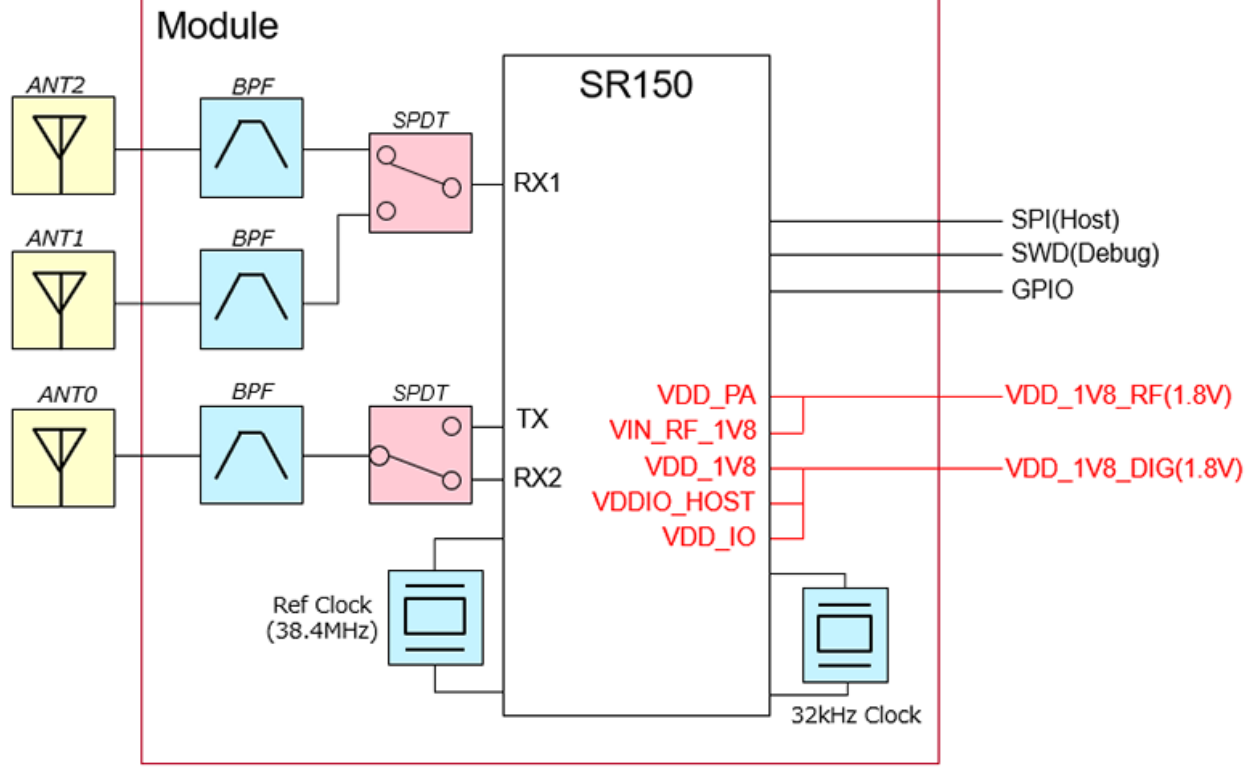
- Chipset : NXP Trimension SR150
- UWB Channel 5,9 support
- Interface : SPI
- 3 Antenna support (3D AoA or 2D AoA support)
- Small size : Resin molded + Comformal shielding structure
- Power calibration & Xtal calibration support

Product Information

Item	explanation
Part Number	LBUA0VG2BP
Product Type	Module
Product Status	In Production
Grade	Consumer
Frequency	UWB Ch 5 & 9

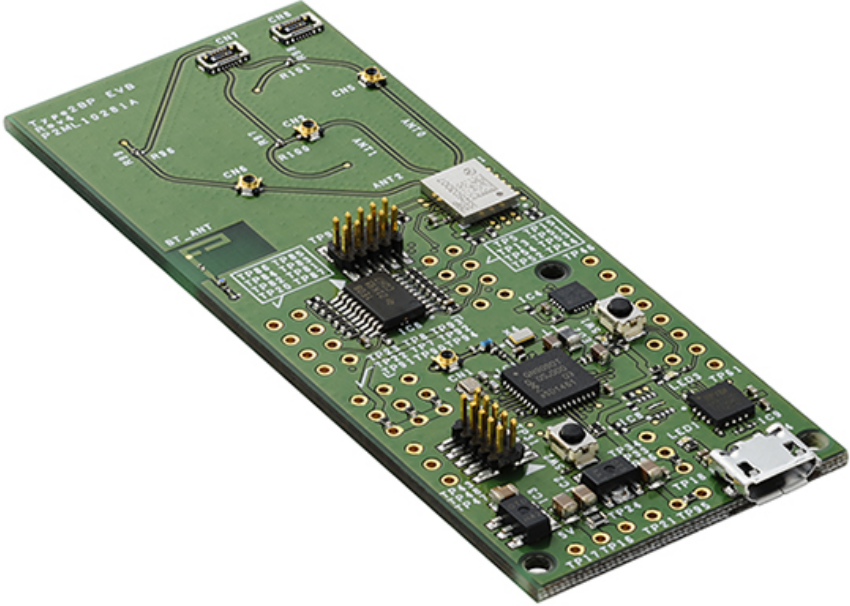
Item	explanation
Frequency MHz (min) UWB	6250
Frequency MHz (max) UWB	8250
Chipset	NXP SR150
CPU Core	ARM Cortex-M33
Flash / RAM	- / 128kB CODE RAM, 128kB Data RAM
Antenna	External
RF Conn/ Antenna	Not Included
Sleep Clock	Internal X'tal (32.768kHz)
System Clock	Internal X'tal (38.4MHz)
Operating Temperature Range	-30 to 85
Operating Temperature °C (min)	-30
Operating Temperature °C (max)	85
Mounting Type	SMT
Package	LGA
Dimension	6.6 × 5.8 × 1.2(max)mm
Supply Voltage (Vdc)	1.8V
Supply Voltage min	1.71V
Supply Voltage max	1.98V
Technology	UWB
Host Interface	SPI
FCC/IC/MIC(Japan) Certified	Yes
ETSI report	Yes
FiRa Certified	Yes
ISO9001	Yes

Block Diagram



Evaluation Kit

Item	explanation
Product P/N	LBUA0VG2BP-EVK-P <div style="background-color: red; color: white; padding: 5px; text-align: center;"> Where to Buy Distributor Inventory </div>
Content	<p>Murata UWB module Type2BP evaluation board. Type2BP and NXP QN9090(BLE chip), USB-UART conversion IC are on this EVB.</p> <p>Power supplied via USB cable, and from COM port of PC, Type-2BP can be controlled through QN9090.</p> <p>This development kit is approved by Apple® for the purpose of evaluating UWB-enabled accessories that leverage Apple's Nearby Interaction framework in order to interact with Apple products that include the U1 chip.</p>

Item	explanation
Photo	
Dimension	81 × 32 × 6.36 (mm)

Please contact our sales or send your inquiry for the evaluation kit.


FiRa Certified™ and the FiRa Certified certification logo are certification marks and trademarks of FiRa Consortium, Inc. Unauthorized use is strictly prohibited.

On the [NXP Based UWB Modules/Type2BP Document Site, Forum \(my Murata*\)](#)  , you can find detailed documents including datasheets and design guides. And also SDK is available for download. Feel free to visit the website for this supplementary information and additional documents.

If it is your first time using this website, please refer to the [Access Guide \(Documents on How to Register\)](#) .

[Go to my Murata*](#)

*The registration number that comes with the evaluation kit will be needed to access the website.

***my Murata** : A free site that only a registered user can log into and view. When using this website, you will need to agree to the [User Policy](#)  and create an account.

Purchase

Order Number	LBUA0VG2BP Where to Buy Distributor Inventory
Sample Part Number	LBUA0VG2BP-SMP
Production Part Number	LBUA0VG2BP-741