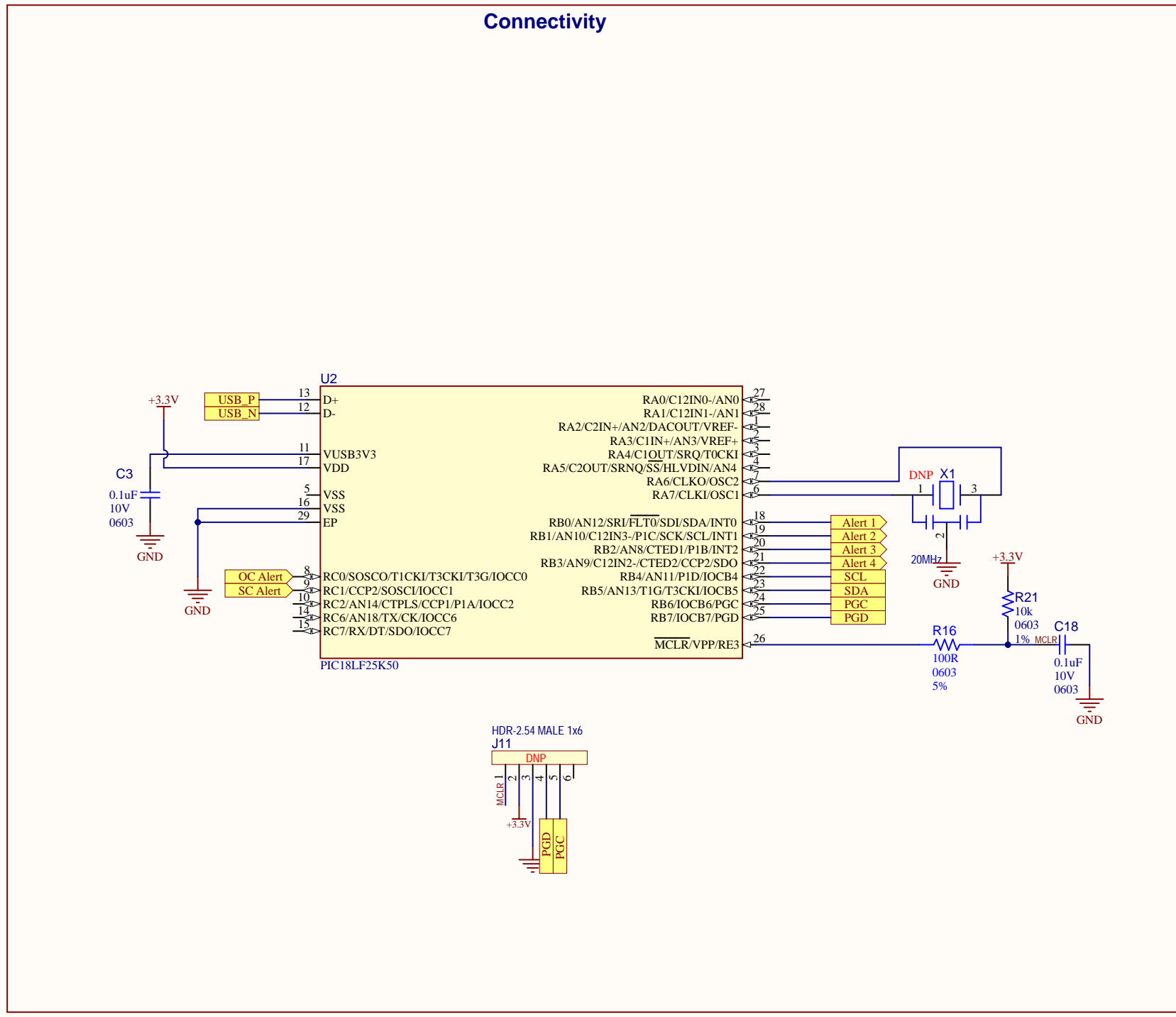
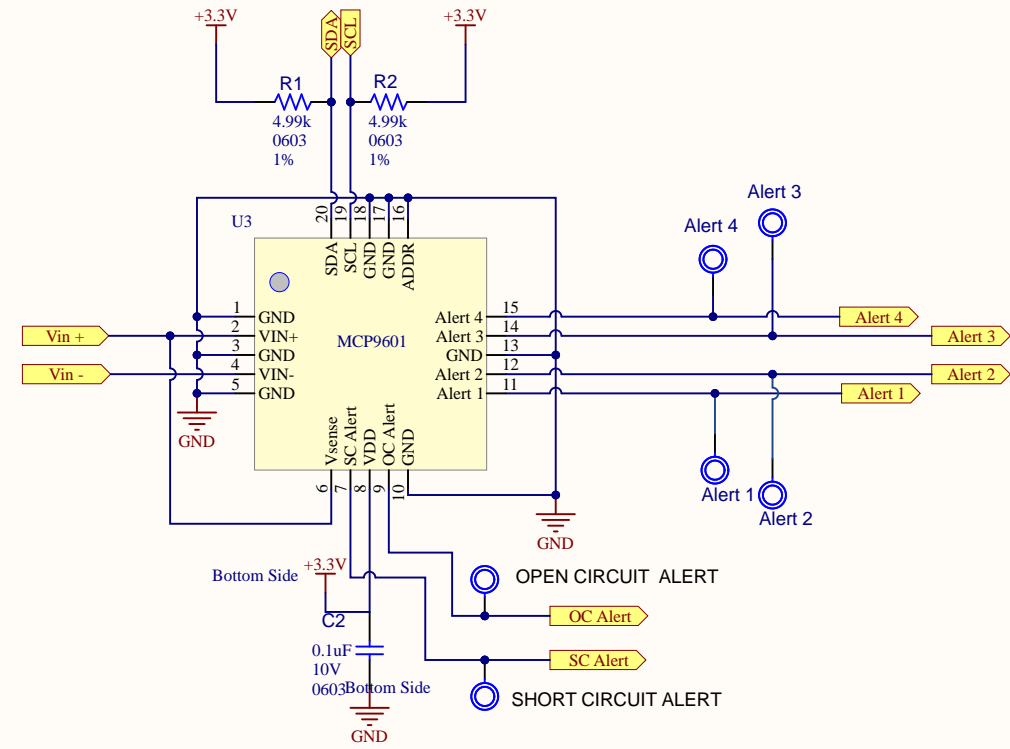
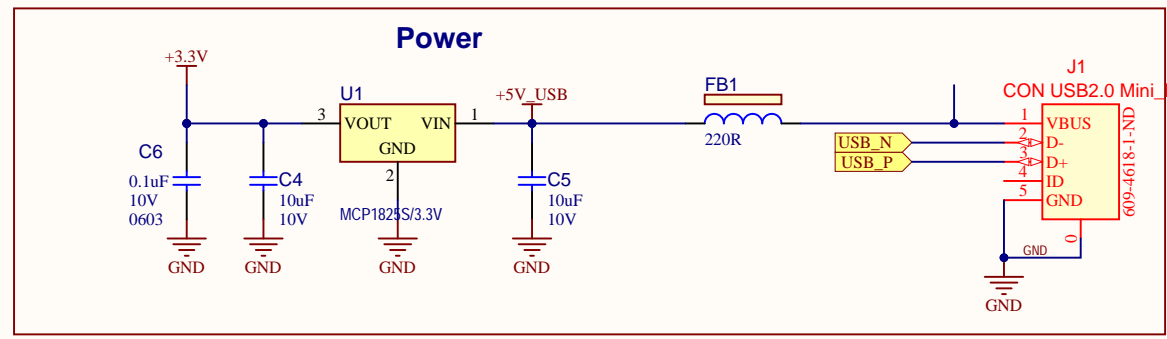
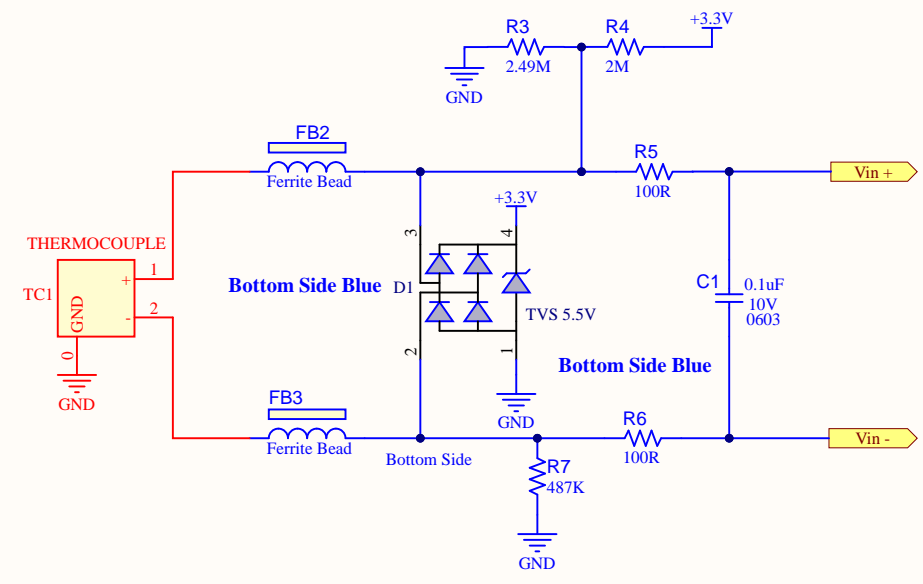


REV	ECO#	DESCRIPTION	DATE

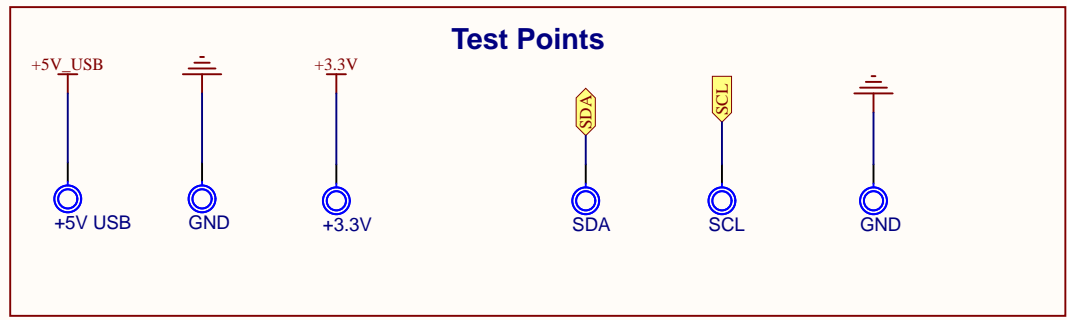



Drawn By: Jose Garcia	
Engineer: Ezana Haile	
PartNumber: EV15T80A	Project Title MCP9601 Eval Board.
Sheet Title EMC1833 Interface Circuit	Designed with
Size B	Sch #03-11385 Date: 6/3/2021 3:02:08 PM
	Revision:2 Sheet 1 of 2
File: 03-00264-R1 Pic Sch.SchDoc	

REV	ECO#	DESCRIPTION	DATE



LABEL1
 [ASSY# / REV]
 SN: [SERIAL]
 [DATE yyyy.mm.dd]
 PCBA LABEL 18X6mm



Drawn By: Jose Garcia		
Engineer: Ezana Haile		
PartNumber: EV15T80A	Project Title MCP9601 Eval Board.	
Sheet Title EMC1833 Main Circuit		
Size B	Sch #03-11385	Date: 6/3/2021 3:02:08 PM
Revision:2		Sheet 2 of 2
File: 03-00264-R1.SchDoc		

Designed with
Altium
Altium.com