

RoHS  
Compliant

## Description

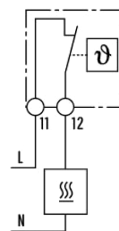
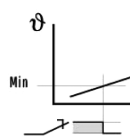
Heating control- Should the panel temperature fall below the (minimum) set temperature the contact will close to call for heat. The contact will open when this set temperature is exceeded.

Ventilation control - Should the panel temperature exceed the (maximum) set temperature then the contact will close to call for cooling. The contact will open when the temperature falls below this set temperature.

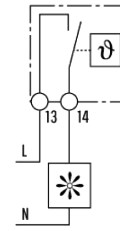
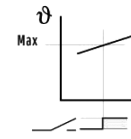
## Features

- Small, compact size (17.5mm wide)
- Snap action thermostatic Bimetal sensor
- Wide temperature setting range
- Long electrical life
- 35mm rail (EN 60715) mount

### Heating control



### Ventilation control



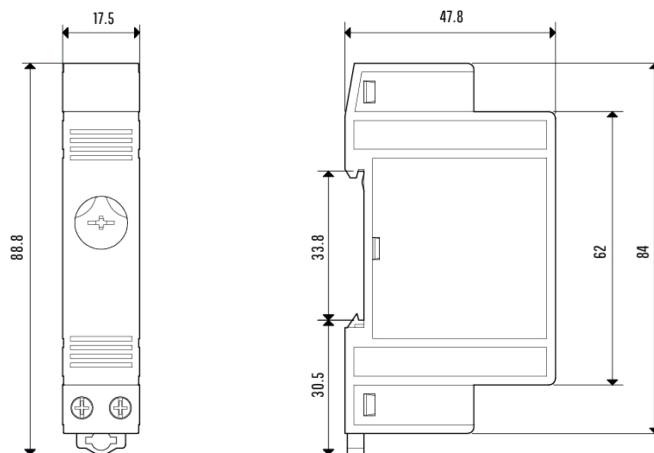
Contact configuration		1NC	1NO
Rated current/Maximum peak current	A	10/20	10/20
Rated voltage/Maximum switching voltage	V AC	250/250	250/250
Rated load AC1	VA	2500	2500
Rated load AC 15 (230V AC)	VA	250	250
Single phase motor rating AC 3 (230V AC)	kW	0.125	0.125
Breaking capacity DC 1:30/110/220 V	A	1/0.3/0.15	1/0.3/0.15
Minimum switching load	mw (V / mA)	500 (12/10)	500 (12/10)
Standard contact material		AgNi	AgNi
Setting range (ventilation)	°C	-	-20 to +40   +0 to +60
Switch temperature differential	K	-	7 ±4
Setting range (heating)	°C	-20 to +40   +0 to +60	-
Switch temperature differential	K	7 ±4	-
Electrical life at rated load AC1	cycles	100-10 <sup>3</sup>	100-10 <sup>3</sup>
Ambient temperature range	°C	-45 to +80	-45 to +80
Protection category		IP 20	IP 20

Alarm output contact. Passive contact, AC250V 5A. NO, close while function of dehumidifier is out of order. Function out of order defined: Temperature sensor or humidity sensor fault; Duration of Dehumidifier work is over 24 hours, RH≥80%RH.

## Screw terminal



Insulation			
Dielectric strength between open contacts	V AC	500	
Other Data			
Screw torque	Nm	0.5	0.5
Max. wire size		soild cable	stranded cable
	mm <sup>2</sup>	1 × 2.5	1 × 1.5
	AWG	1 × 12	1 × 16
		MP011438	NO type for heating
		MP011424	NC type for cooling



Dimensions : Millimetres

## Part Number Table

Description	Part Number
Thermostat, 0-60°C, 17.5mm, 1NO for Heating	MP011424
Thermostat, 0-60°C, 17.5mm, 1NC for Cooling	MP011438

**Important Notice :** This data sheet and its contents (the "Information") belong to the members of the AVNET group of companies (the "Group") or are licensed to it. No licence is granted for the use of it other than for information purposes in connection with the products to which it relates. No licence of any intellectual property rights is granted. The Information is subject to change without notice and replaces all data sheets previously supplied. The Information supplied is believed to be accurate but the Group assumes no responsibility for its accuracy or completeness, any error in or omission from it or for any use made of it. Users of this data sheet should check for themselves the Information and the suitability of the products for their purpose and not make any assumptions based on information included or omitted. Liability for loss or damage resulting from any reliance on the Information or use of it (including liability resulting from negligence or where the Group was aware of the possibility of such loss or damage arising) is excluded. This will not operate to limit or restrict the Group's liability for death or personal injury resulting from its negligence. Multicomp Pro is the registered trademark of Premier Farnell Limited 2019.

Newark.com/multicomp-pro  
 Farnell.com/multicomp-pro  
 sg.element14.com/b/multicomp-pro