



## Product / Process Change Notification (PCN)

- Major change  
 Minor change

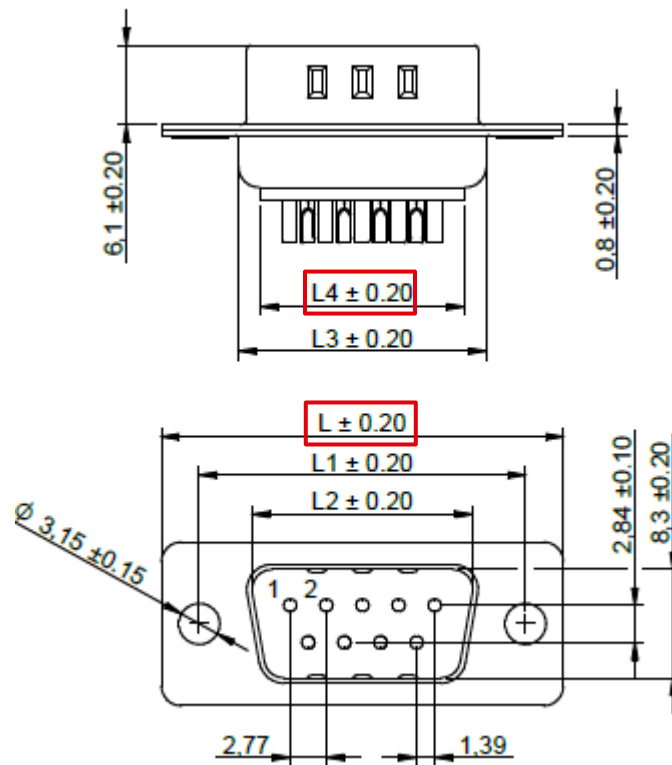
<p><b>PCN #:</b> PCN_conDSUB_20230630</p> <p><b>Affected Series:</b> WR-DSUB ; 6180xx24823 ; 6180xx24923          6180xx221823 ; 6180xx221823 ; 6180xx25322</p> <p><b>PCN Date:</b> March 30, 2023</p> <p><b>Effective Date:</b> June 30, 2023</p>	<p><b>Change Category:</b></p> <p><input type="checkbox"/> Equipment / Location  <input checked="" type="checkbox"/> General Data  <input type="checkbox"/> Material  <input type="checkbox"/> Process  <input type="checkbox"/> Product Design  <input type="checkbox"/> Shipping / Packaging  <input type="checkbox"/> Supplier  <input type="checkbox"/> Software</p>
<p><b>Contact:</b> Product Management</p> <p><b>Phone:</b> +49 (0) 7942 - 945 5001</p> <p><b>Fax:</b> +49 (0) 7942 - 945 5179</p> <p><b>E-Mail:</b> pcn.eican@we-online.com</p>	<p><b>Data Sheet Change:</b></p> <p><input checked="" type="checkbox"/> Yes      <input type="checkbox"/> No</p> <p><b>Attachment:</b></p> <p><input type="checkbox"/> Yes      <input checked="" type="checkbox"/> No</p>

**Description and purpose of change:**

Because of a database mismatch, Würth Elektronik will update the datasheet with accurate values on several tolerances, dimensions and correct specifications.  
 This is a datasheet correction only. There will be no change in form, fit, function, quality or reliability of the product.

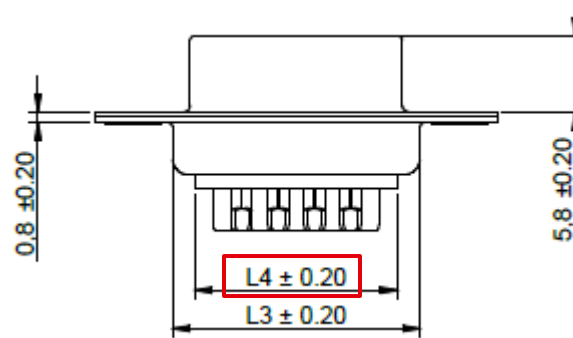
**Detail of Change:**

**1. 6180xx24823**



	Part Number	ARTICLE PROPERTIES		MATERIAL PROPERTIES	
		L (mm)	L4 (mm)	Insulator Color	Shielding Plating
<b>BEFORE</b>	61800924823	30.81	15.6	Black	Nickel (Ni)
	61801524823	39.23	24.6	Not indicated	Nickel (Ni)
	61802524823	53.05	38.1	White	Nickel (Ni)
	61803724823	69.5	54.3	Not indicated	Nickel (Ni)
<b>AFTER</b>	61800924823	30.80	15.6	White	Tin
	61801524823	39.23	24.6	White	Tin
	61802524823	53.05	38.1	White	Tin
	61803724823	69.5	54.45	White	Tin

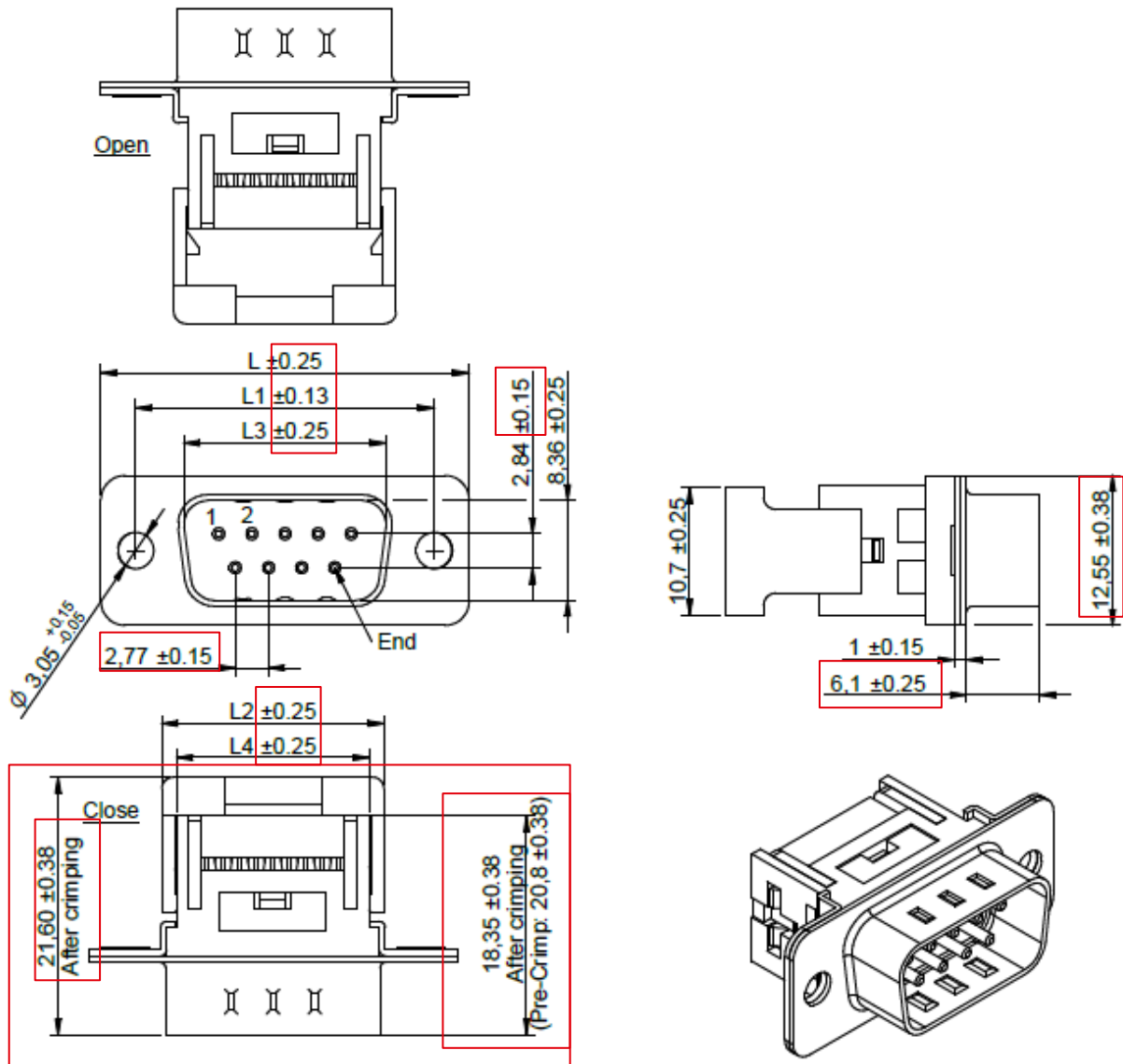
## 2. 6180xx24923



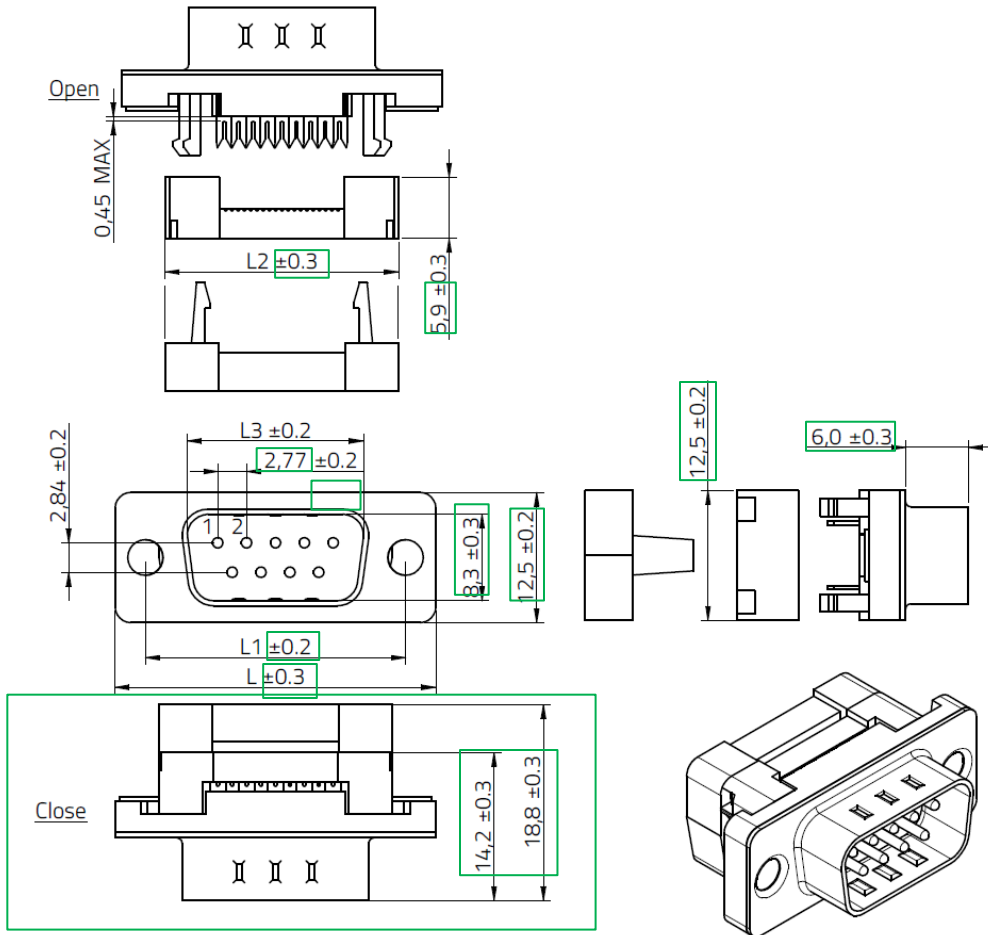
	Part Number	ARTICLE PROPERTIES	MATERIAL PROPERTIES
		L4 (mm)	Shielding Plating
<b>BEFORE</b>	61800924923	15.6	Nickel (Ni)
	61801524923	24.6	Nickel (Ni)
	61802524923	38.1	Nickel (Ni)
	61803724923	54.45	Nickel (Ni)
<b>AFTER</b>	61800924923	15.6	Tin
	61801524923	24.6	Tin
	61802524923	38.1	Tin
	61803724923	54.30	Tin

### 3. 6180xx221823

**BEFORE**



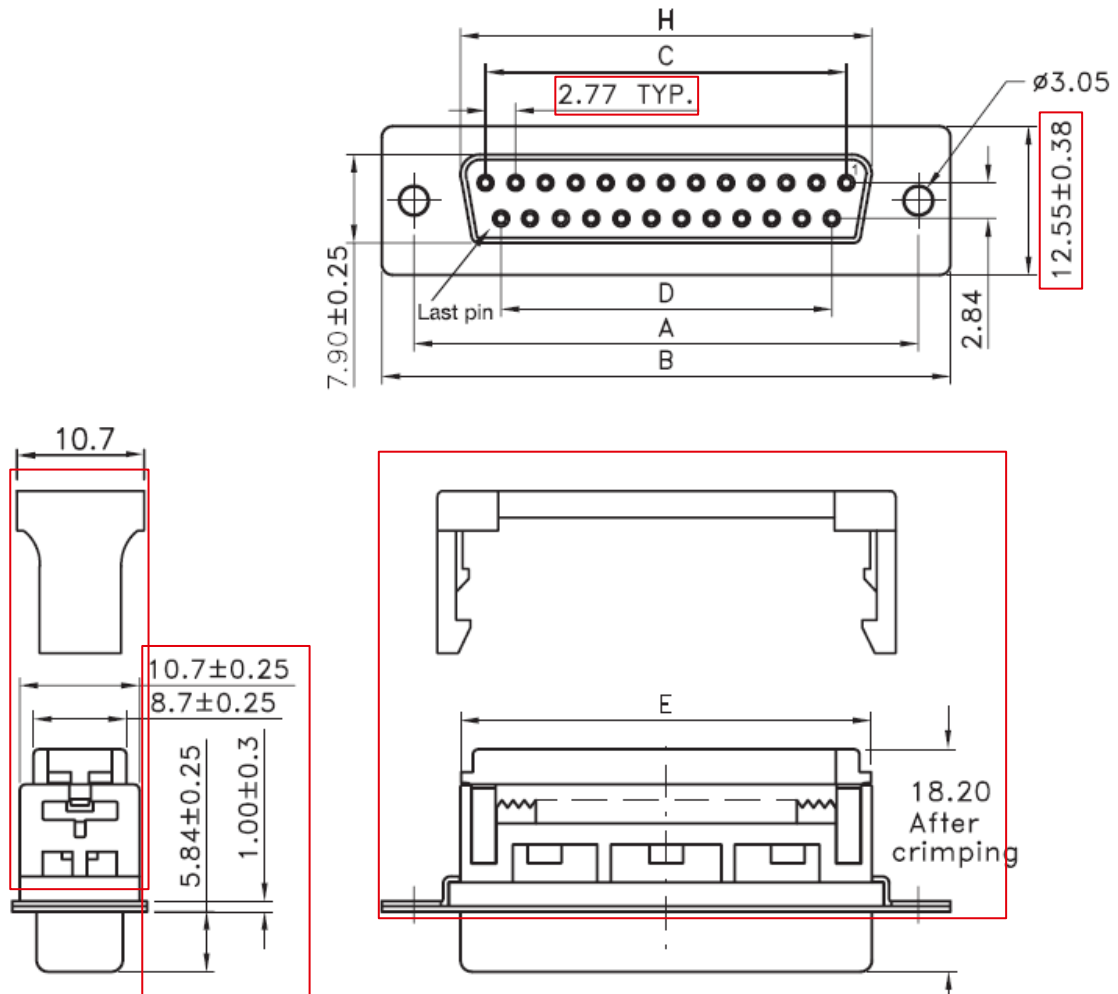
**AFTER**



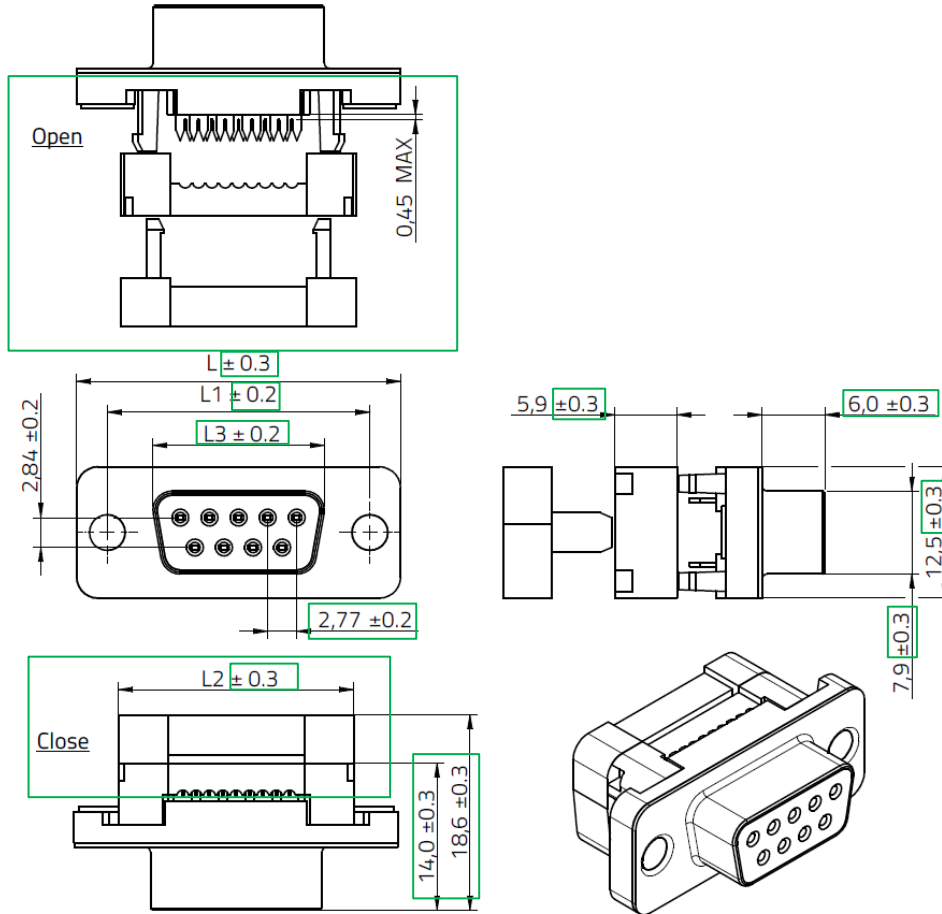
	Part Number	MATERIAL PROPERTIES
		Insulator Color
<b>BEFORE</b>	618009221823	Not indicated
	618015221823	Not indicated
	618025221823	Not indicated
	618037221823	Not indicated
<b>AFTER</b>	618009221823	Blue
	618015221823	Blue
	618025221823	Blue
	618037221823	Blue

**4. 6180xx221923**

**BEFORE**



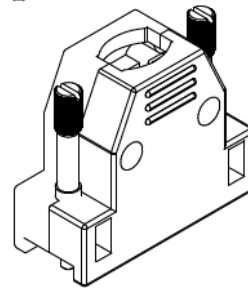
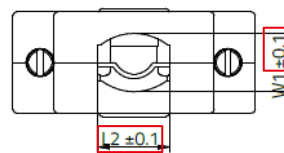
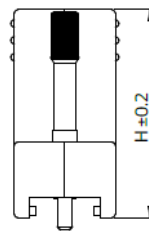
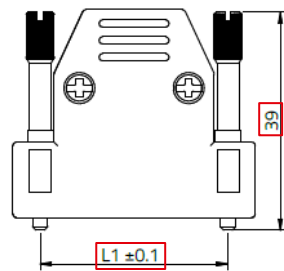
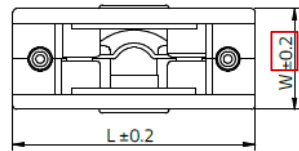
**AFTER**



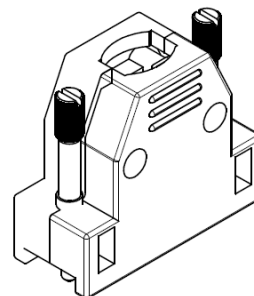
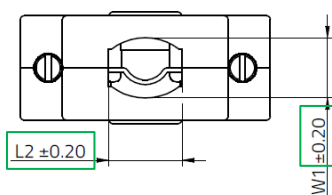
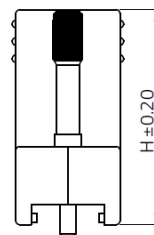
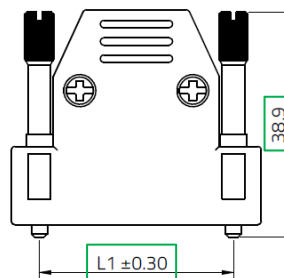
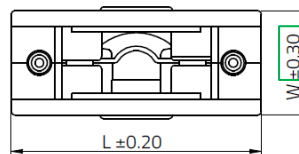
	Part Number	ARTICLE PROPERTIES	MATERIAL PROPERTIES
		L3 (mm)	Insulator Color
<b>BEFORE</b>	618009221923	16.30	Not indicated
	618015221923	24.6	Not indicated
	618025221923	38.3	Not indicated
	618037221923	54.8	Not indicated
<b>AFTER</b>	618009221923	16.33	Blue
	618015221923	24.6	Blue
	618025221923	38.3	Blue
	618037221923	54.8	Blue

**5. 6180xx25322**

**BEFORE**



**AFTER**







	Part Number	ARTICLE PROPERTIES	
		L1 (mm)	L2 (mm)
<b>BEFORE</b>	61800925322	11.9	Not indicated
	61801525322	12.8	Not indicated
	61802525322	13.4	Not indicated
	61803725322	16	Not indicated
<b>AFTER</b>	61800925322	25	11.9
	61801525322	33.5	12.8
	61802525322	47	13.4
	61803725322	63.5	16

**Reliability / Qualification Summary:**

There will be no change of the product, therefore no additional reliability or qualification testing will be performed.