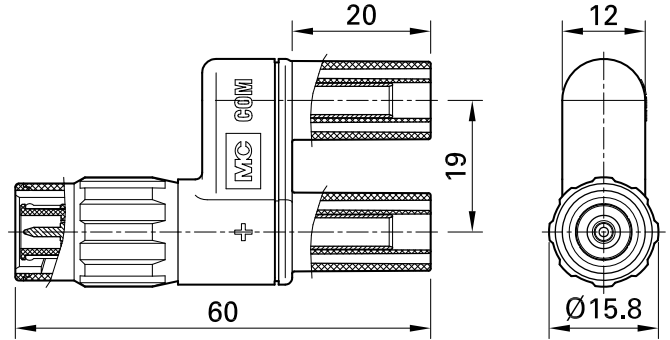
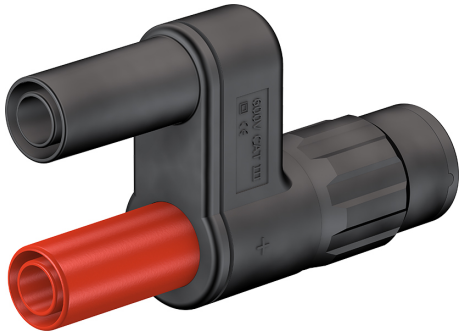


# XM-BB/4



Item number 67.9536-

Two-pole touch-protected adapter with Ø 4 mm connectors linked to the BNC system. Version with BNC male and rigid Ø 4 mm sockets, accepting Ø 4 mm plugs with rigid insulating sleeve. The contact pin of the inner conductor of the BNC connector is in gold-plated brass.

Technical data	
Rated Values	1000 V, CAT II / 600 V, CAT III
Surface treatment electrical contact	Au; Ni
Test accessory acc. to	IEC EN 61010-031
Approvals	UL, CE