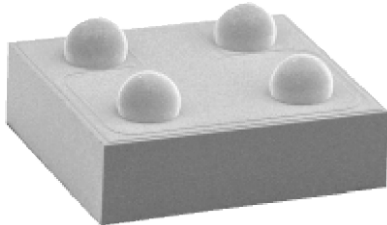


FlipKY® Chip Scale Package Schottky Barrier Rectifier



FlipKY®

FEATURES

- Ultra low V_F per footprint area
- Low leakage
- Low thermal resistance
- One-fifth footprint of SMA
- Super low profile (0.6 mm)
- Available tested on tape and reel


**RoHS
COMPLIANT**
APPLICATIONS

- Reverse polarity protection
- Current steering
- Freewheeling
- Flyback
- Oring

DESCRIPTION

Vishay's FlipKY® product family utilizes wafer level chip scale packaging to deliver Schottky diodes with the lowest V_F to PCB footprint area in industry. The four bump 1.5 x 1.5 mm devices can deliver up to 1.5 A and occupy only 2.3 mm² of board space. The anode and cathode connections are made through solder bump pads on one side of the silicon enabling designers to strategically place the diodes on the PCB. This design not only minimizes board space but also reduces thermal resistance and inductance, which can improve overall circuit efficiency.

Typical applications include hand-held, portable equipment such as cell phones, MP3 players, bluetooth, GPS, PDAs, and portable hard disk drives where space savings and performance are crucial.

PRODUCT SUMMARY

$I_{F(AV)}$	1.5 A
V_R	40 V

MAJOR RATINGS AND CHARACTERISTICS

SYMBOL	CHARACTERISTICS	MAX.	UNITS
V_{RRM}		40	V
$I_{F(AV)}$	Rectangular waveform	1.5	A
I_{FSM}		250	
V_F	at 1.5 Apk, $T_J = 125\text{ }^\circ\text{C}$	0.47	V
T_J		- 55 to 150	$^\circ\text{C}$

VOLTAGE RATINGS

PARAMETER	SYMBOL	FCSP2H40LTR	UNITS
Maximum DC reverse voltage	V_R	40	V
Maximum working peak reverse voltage	V_{RWM}		

ABSOLUTE MAXIMUM RATINGS					
PARAMETER	SYMBOL	TEST CONDITIONS		VALUES	UNITS
Maximum average forward current	$I_{F(AV)}$	50 % duty cycle at $T_{PCB} = 102\text{ }^{\circ}\text{C}$, rectangular waveform		1.5	A
Maximum peak one cycle non-repetitive surge current at $25\text{ }^{\circ}\text{C}$	I_{FSM}	5 μs sine or 3 μs rect. pulse	Following any rated load condition and with rated V_{RRM} applied	250	
		10 ms sine or 6 ms rect. pulse		21	
Non-repetitive avalanche energy	E_{AS}	$T_J = 25\text{ }^{\circ}\text{C}$, $I_{AS} = 2.0\text{ A}$, $L = 5.0\text{ mH}$		10	mJ
Repetitive avalanche current	I_{AR}	Current decaying linearly to zero in 1 μs Frequency limited by T_J maximum $V_A = 1.5 \times V_R$ typical		2.0	A

ELECTRICAL CHARACTERISTICS ($T_J = 25\text{ }^{\circ}\text{C}$ unless otherwise specified)						
PARAMETER	SYMBOL	TEST CONDITIONS		TYP.	MAX.	UNITS
Maximum forward voltage drop See fig. 1	$V_{FM}^{(1)}$	at 1.5 A	$T_J = 25\text{ }^{\circ}\text{C}$	0.52	0.56	V
		at 3 A		0.60	0.65	
		at 1.5 A	$T_J = 125\text{ }^{\circ}\text{C}$	0.42	0.47	
		at 3 A		0.54	0.59	
Maximum reverse leakage current See fig. 2	$I_{RM}^{(1)}$	$T_J = 25\text{ }^{\circ}\text{C}$	$V_R = \text{Rated } V_R$	3	15	μA
			$V_R = 20\text{ V}$	0.5	1	
			$V_R = 10\text{ V}$	0.2	0.5	
			$V_R = 5\text{ V}$	0.15	0.3	
		$T_J = 125\text{ }^{\circ}\text{C}$	$V_R = \text{Rated } V_R$	2.5	4	mA
			$V_R = 20\text{ V}$	0.9	2	
			$V_R = 10\text{ V}$	0.6	1.5	
			$V_R = 5\text{ V}$	0.5	1	
Maximum junction capacitance	C_T	$V_R = 5\text{ }V_{DC}$ (test signal range 100 kHz to 1 MHz) $25\text{ }^{\circ}\text{C}$		-	160	pF
Maximum voltage rate of charge	dv/dt	Rated V_R		-	10 000	V/ μs

Note

(1) Pulse width < 300 μs , duty cycle < 2 %

THERMAL - MECHANICAL SPECIFICATIONS					
PARAMETER	SYMBOL	TEST CONDITIONS		VALUES	UNITS
Maximum junction temperature range	$T_J^{(1)}$			- 55 to 150	$^{\circ}\text{C}$
Maximum storage temperature range	T_{Stg}				
Typical thermal resistance, junction to PCB	$R_{thJL}^{(2)}$	DC operation		40	$^{\circ}\text{C/W}$
Maximum thermal resistance, junction to ambient	R_{thJA}			62	

Notes

(1) $\frac{dP_{tot}}{dT_J} < \frac{1}{R_{thJA}}$ thermal runaway condition for a diode on its own heatsink

(2) Mounted 1" square PCB

FlipKY® Chip Scale Package Schottky Barrier Rectifier

Vishay High Power Products

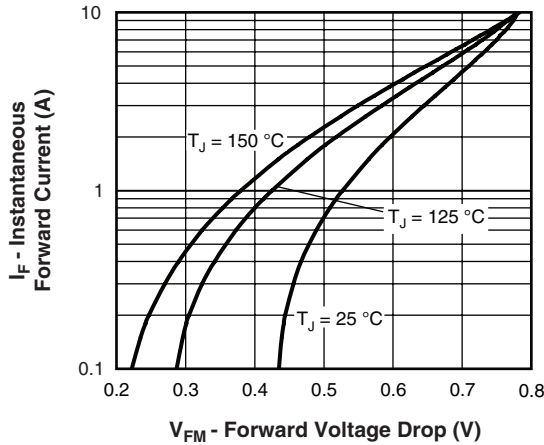


Fig. 1 - Maximum Forward Voltage Drop Characteristics (Per Leg)

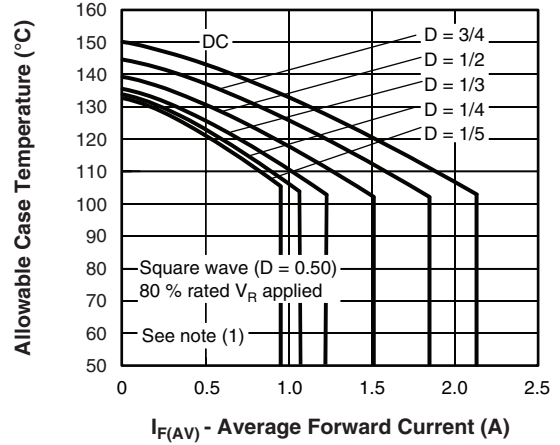


Fig. 4 - Maximum Allowable Case Temperature vs. Average Forward Current (Per Leg)

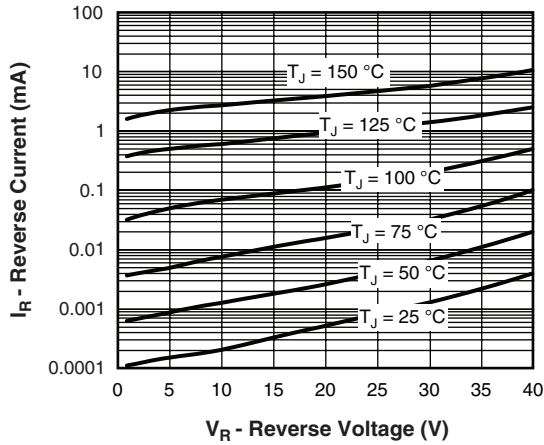


Fig. 2 - Typical Values of Reverse Current vs. Reverse Voltage (Per Leg)

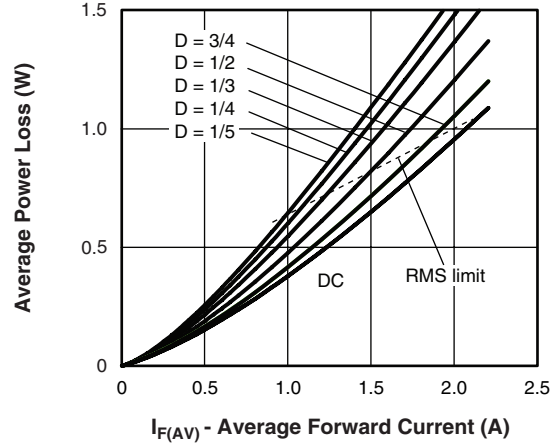


Fig. 5 - Forward Power Loss Characteristics (Per Leg)

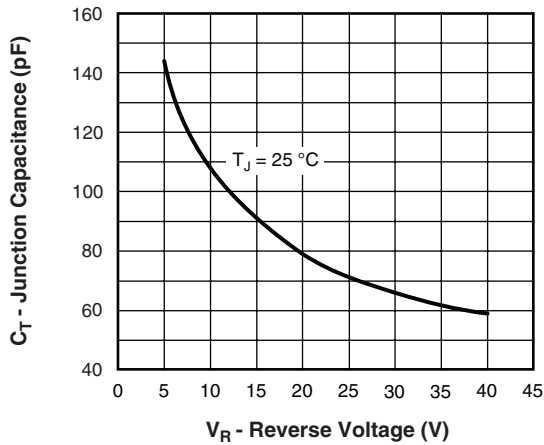


Fig. 3 - Typical Junction Capacitance vs. Reverse Voltage (Per Leg)

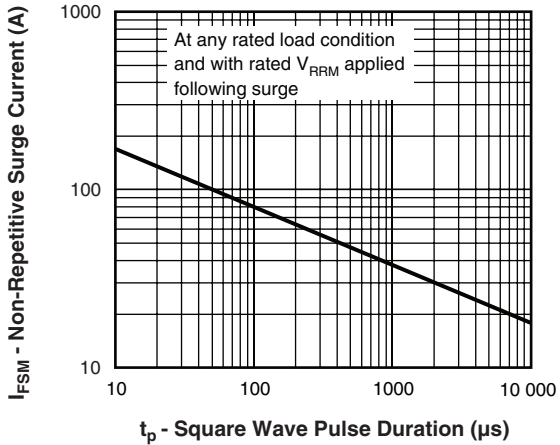


Fig. 6 - Maximum Non-Repetitive Surge Current (Per Leg)

Note

(1) Formula used: $T_C = T_J - (P_d + P_{dREV}) \times R_{thJC}$;

P_d = Forward power loss = $I_{F(AV)} \times V_{FM}$ at $(I_{F(AV)}/D)$ (see fig. 6); P_{dREV} = Inverse power loss = $V_{R1} \times I_R (1 - D)$; I_R at 80 % V_R applied

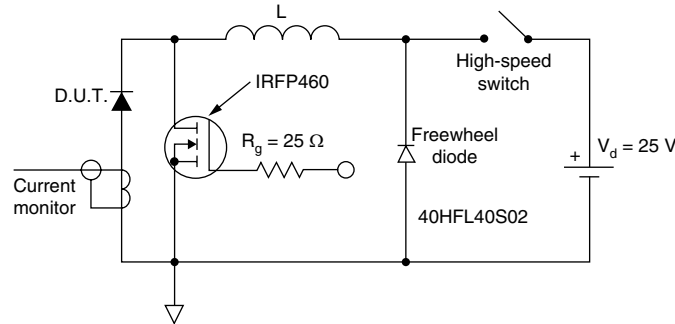
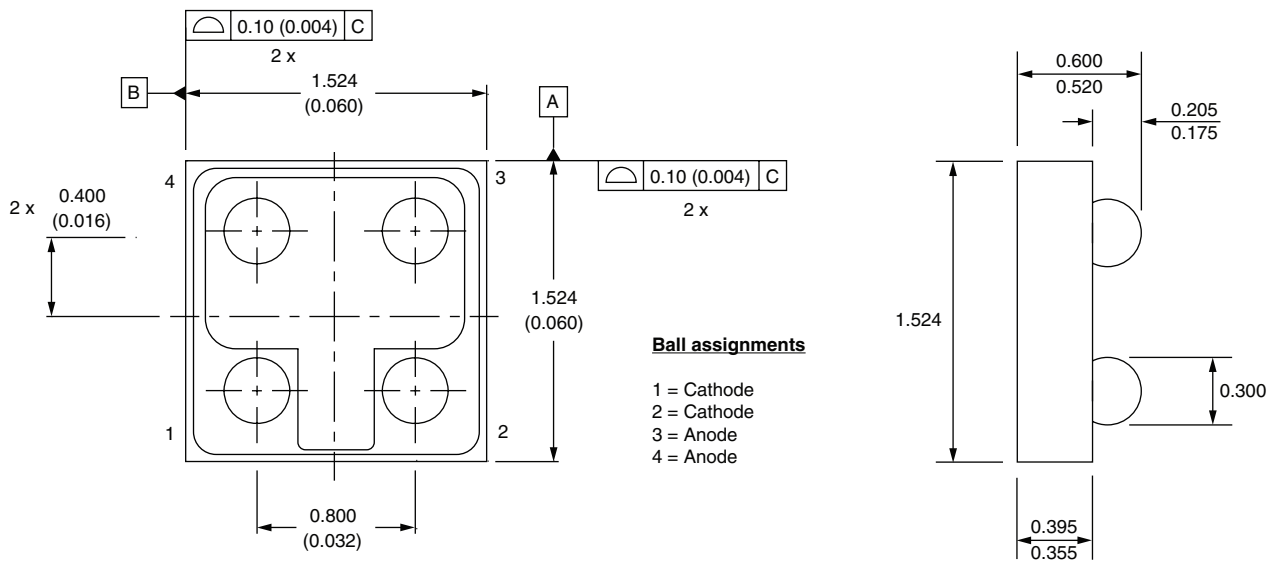
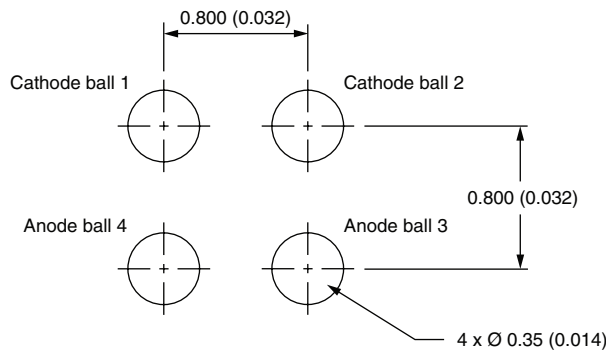


Fig. 7 - Unclamped Inductive Test Circuit

DIMENSIONS in millimeters (inches)



Recommended footprint



Notes

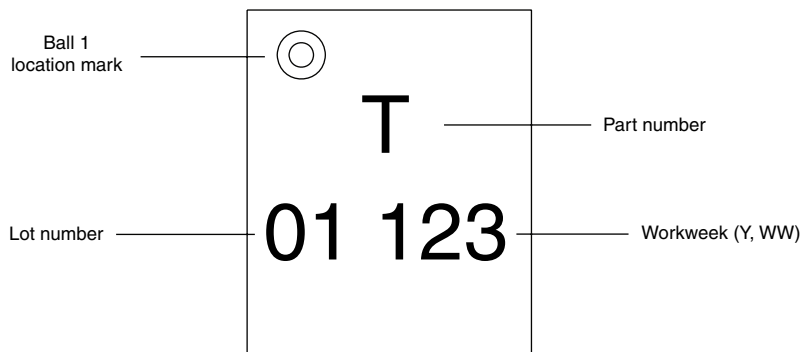
- Dimensioning and tolerancing per ASME Y14.5M-1994
- Controlling dimension: millimeter



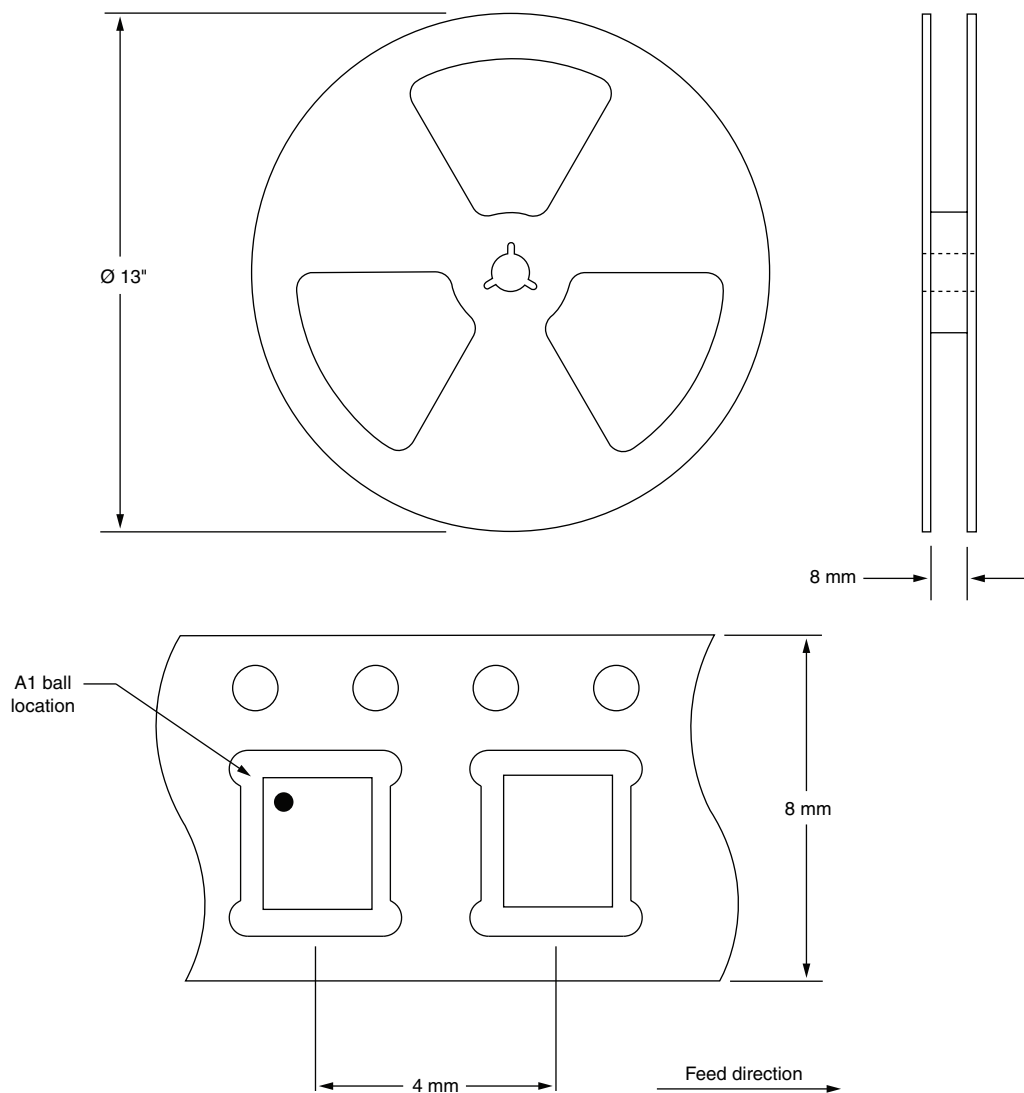
FlipKY®
Chip Scale Package
Schottky Barrier Rectifier

Vishay High Power Products

PART MARKING INFORMATION



TAPE AND REEL INFORMATION



Conforms to EIA-481 and EIA-541



Notice

The products described herein were acquired by Vishay Intertechnology, Inc., as part of its acquisition of International Rectifier's Power Control Systems (PCS) business, which closed in April 2007. Specifications of the products displayed herein are pending review by Vishay and are subject to the terms and conditions shown below.

Specifications of the products displayed herein are subject to change without notice. Vishay Intertechnology, Inc., or anyone on its behalf, assumes no responsibility or liability for any errors or inaccuracies.

Information contained herein is intended to provide a product description only. No license, express or implied, by estoppel or otherwise, to any intellectual property rights is granted by this document. Except as provided in Vishay's terms and conditions of sale for such products, Vishay assumes no liability whatsoever, and disclaims any express or implied warranty, relating to sale and/or use of Vishay products including liability or warranties relating to fitness for a particular purpose, merchantability, or infringement of any patent, copyright, or other intellectual property right.

The products shown herein are not designed for use in medical, life-saving, or life-sustaining applications. Customers using or selling these products for use in such applications do so at their own risk and agree to fully indemnify Vishay for any damages resulting from such improper use or sale.

International Rectifier®, IR®, the IR logo, HEXFET®, HEXSense®, HEXDIP®, DOL®, INTERO®, and POWIRTRAIN® are registered trademarks of International Rectifier Corporation in the U.S. and other countries. All other product names noted herein may be trademarks of their respective owners.