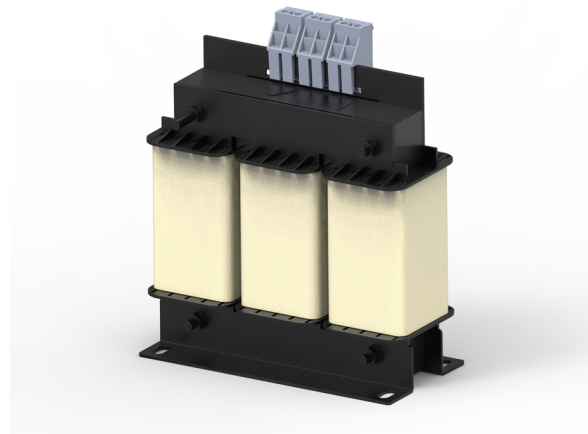


CORCOM RPQ SERIES

THREE PHASE LINE REACTOR

TE Connectivity (TE)'s Corcom RPQ series line reactors are designed to help protect motor drives from power line disturbances and disruptions from the line side as well as the harmonics distortions from AC/DC motor drives. The three phase line reactors cover a very broad rating from 1.76A up to 1010A for 50/60Hz network max 480V.

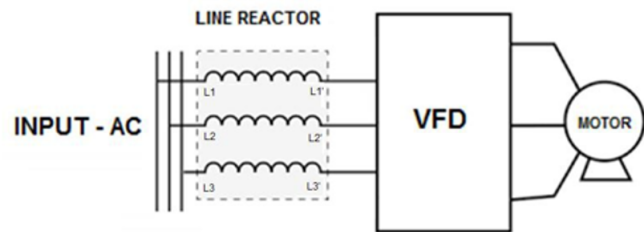
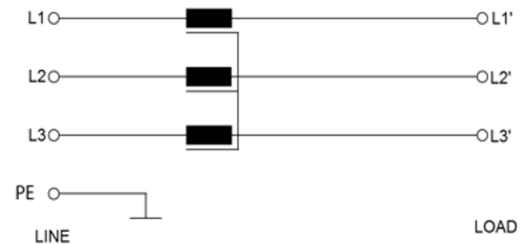


FEATURES

- Copper windings
- Impedance at 4%
- Helps protect motor drive electronics
- Limitations of inrush currents
- Reduction of nuisance tripping caused by power line voltage spikes
- Improvement of true power factor
- Reduce power distortion and low ripple
- Comply with industry standards

APPLICATION

- Power quality applications
- Motor drives and various adjustable speed
- Drive system such as elevators, robotics, and machinery
- Harmonic reduction
- Process automation equipment



APPROVALS

- UL Recognized as per UL 508 Hardware Certification



CORCOM RPQ SERIES

THREE PHASE LINE REACTOR

PRODUCT SPECIFICATIONS

ELECTRICAL CHARACTERISTICS

Nominal Operating Voltage	3x 380 to 480VAC
Current Ratings	1.76A to 1010A @45°C
Operating Frequency	50/60Hz
Impedance	4% at 400VAC 50Hz at rated current
High potential Test Voltage	2000VAC for 2sec
Overload Capability	1.6 times of rated current for 1 minute/hour

FUNCTIONAL CHARACTERISTICS

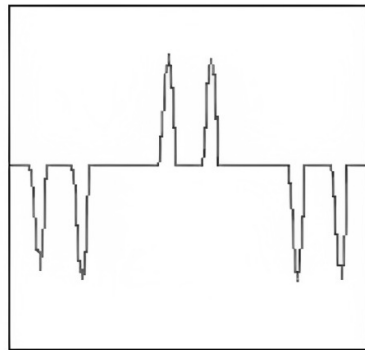
Rated Operating Voltage	3x 340 to 530VAC
Operating Temperature Range	-45°C to 100°C
Climatic Category	45/100/21
Type of Cooling	Natural cooling, AN
Protection category	IPO0
Insulation Class	Class N
Voltage Drop	9.2V (+/-20%)
Pollution Degree	PD2

REFERENCE STANDARDS

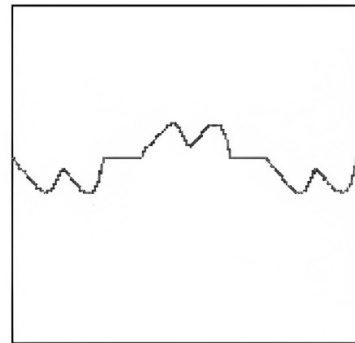
Design Corresponding to	EN61558-2-20, EN60076-6, UL61800-5-1
-------------------------	--------------------------------------

ADVANTAGES OF HAVING LINE REACTOR

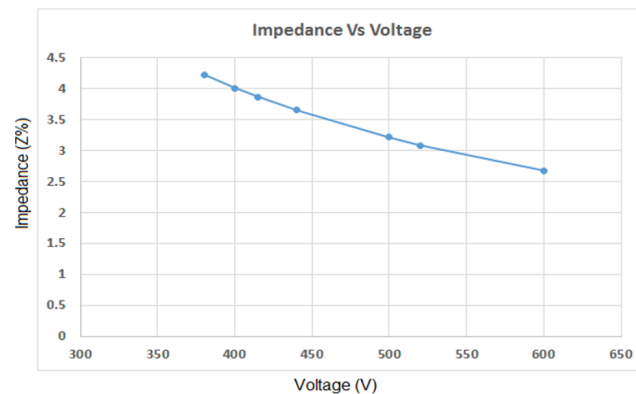
WAVEFORM WITHOUT LINE REACTOR



WAVEFORM WITH LINE REACTOR



IMPEDANCE VERSUS VOLTAGE PLOT

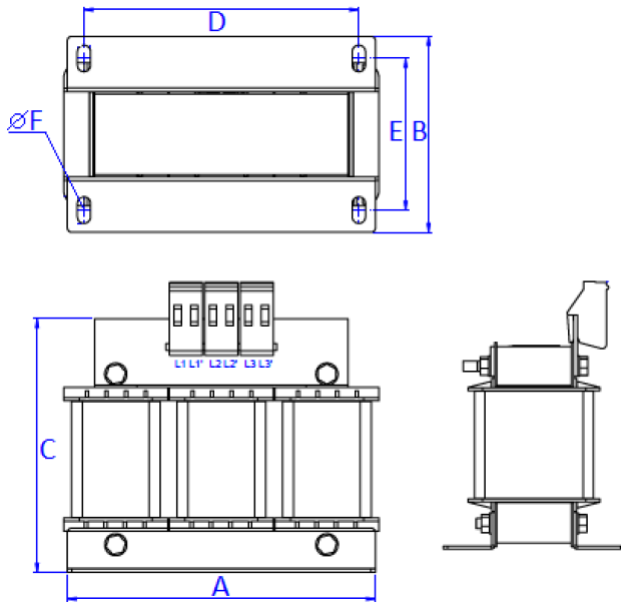


CORCOM RPQ SERIES

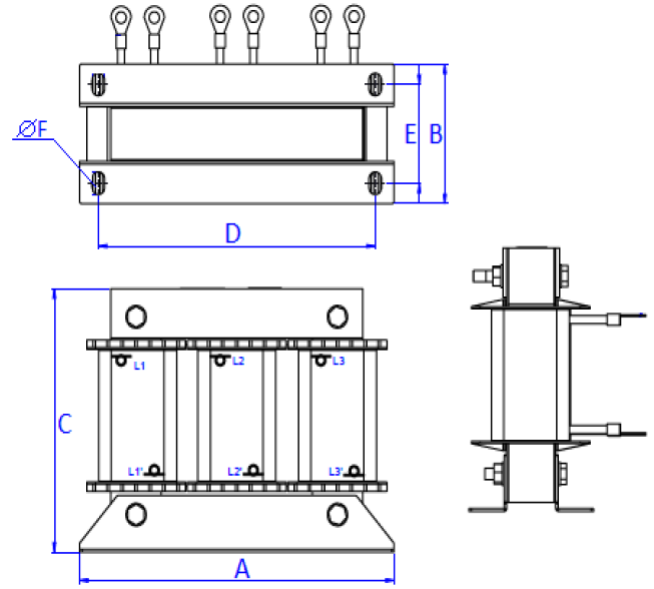
THREE PHASE LINE REACTOR

CASE DIMENSIONS

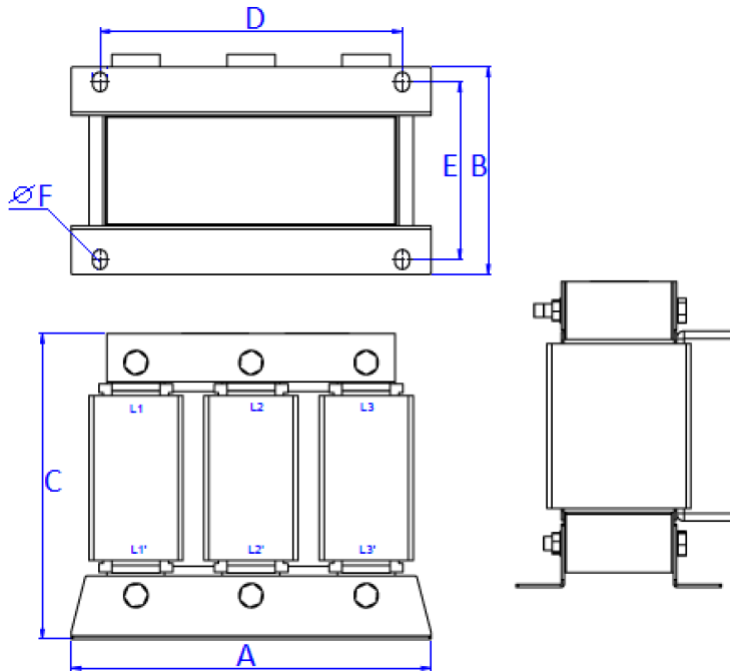
1.76A TO 30A



32A TO 90A



100A TO 1010A



CORCOM RPQ SERIES

THREE PHASE LINE REACTOR

MECHANICAL DIMENSIONS

TE Part Number	Part Description	A	B	C	D	E	F
2432409-1	RPQ-3-1.8	124	67.5	118	109	47.5	12x6
2432409-2	RPQ-3-2.4	124	67.5	118	109	47.5	12x6
2432409-3	RPQ-3-3.5	124	67.5	118	109	47.5	12x6
2432409-4	RPQ-3-5	124	67.5	118	109	47.5	12x6
2432409-5	RPQ-3-6	139	69.9	114.6	124	49.9	12x6
2432409-6	RPQ-3-6.5	139	69.9	114.6	124	49.9	12x6
2432409-7	RPQ-3-9	139	69.9	114.6	124	49.9	12x6
2432409-8	RPQ-3-10	139	88.5	114.6	124	68.5	12x6
2432409-9	RPQ-3-12	139	88.5	114.6	124	68.5	12x6
1-2432409-0	RPQ-3-13	139	88.5	114.6	124	68.5	12x6
1-2432409-1	RPQ-3-15	144	70.9	142.5	129	50.9	12x6
1-2432409-2	RPQ-3-16	144	70.9	142.5	129	50.9	12x6
1-2432409-3	RPQ-3-18	144	70.9	142.5	129	50.9	12x6
1-2432409-4	RPQ-3-20	144	70.9	142.5	129	50.9	12x6
1-2432409-5	RPQ-3-24	144	86	142.5	129	63	12x6
1-2432409-6	RPQ-3-25	144	86	142.5	129	63	12x6
1-2432409-7	RPQ-3-26	144	86	142.5	129	63	12x6
1-2432409-8	RPQ-3-30	144	86	142.5	129	63	12x6
1-2432409-9	RPQ-3-32	200	99.7	157	186	74.7	15x8.5
2-2432409-0	RPQ-3-35	200	99.7	157	186	74.7	15x8.5
2-2432409-1	RPQ-3-40	250	99	186.5	220	70	16x10
2-2432409-2	RPQ-3-45	250	99	186.5	220	70	16x10
2-2432409-3	RPQ-3-48	250	99	186.5	220	70	16x10
2-2432409-4	RPQ-3-55	250	99	186.5	220	70	16x10
2-2432409-5	RPQ-3-59	250	99	186.5	220	70	16x10
2-2432409-6	RPQ-3-65	250	99	186.5	220	70	16x10
2-2432409-7	RPQ-3-70	250	99	186.5	220	70	16x10
2-2432409-8	RPQ-3-72	250	99	186.5	220	70	16x10
2-2432409-9	RPQ-3-75	250	99	186.5	220	70	16x10
3-2432409-0	RPQ-3-80	300	110	206	250	81	16x10
3-2432409-1	RPQ-3-85	300	110	206	250	81	16x10
3-2432409-2	RPQ-3-90	300	110	206	250	81	16x10
3-2432409-3	RPQ-3-100	300	110	206	250	81	16x10
3-2432409-4	RPQ-3-110	300	110	206	250	81	16x10
3-2432409-5	RPQ-3-115	300	110	206	250	81	16x10
3-2432409-6	RPQ-3-120	300	110	216	250	81	16x10
3-2432409-7	RPQ-3-125	300	135.5	206	250	106	16x10
3-2432409-8	RPQ-3-130	300	135.5	206	250	106	16x10
3-2432409-9	RPQ-3-145	300	135.5	206	250	106	16x10
4-2432409-0	RPQ-3-160	300	135.5	206	250	106	16x10

Note: All dimensions are in mm. Tolerance applicable (+/- 5mm)

CORCOM RPQ SERIES

THREE PHASE LINE REACTOR

TE Part Number	Part Description	A	B	C	D	E	F
4-2432409-1	RPQ-3-180	320	147.5	260	275	110.5	20x15
4-2432409-2	RPQ-3-200	320	147.5	260	275	110.5	20x15
4-2432409-3	RPQ-3-215	320	147.5	260	275	110.5	20x15
4-2432409-4	RPQ-3-220	320	147.5	260	275	110.5	20x15
4-2432409-5	RPQ-3-260	375	163.5	315	315	128.9	20x15
4-2432409-6	RPQ-3-300	375	163.5	315	315	128.9	20x15
4-2432409-7	RPQ-3-320	375	163.5	315	315	129	20x15
4-2432409-8	RPQ-3-400	375	176	315	315	145	20x15
4-2432409-9	RPQ-3-510	375	203	315	315	170.4	20x15
5-2432409-0	RPQ-3-570	375	214	315	315	183	20x15
5-2432409-1	RPQ-3-600	375	214	315	315	183	20x15
5-2432409-2	RPQ-3-645	375	214	315	315	183	20x15
5-2432409-3	RPQ-3-700	375	231	315	315	195	20x15
5-2432409-4	RPQ-3-750	375	231	315	315	195	20x15
5-2432409-5	RPQ-3-800	375	231	315	315	195	20x15
5-2432409-6	RPQ-3-850	375	231	315	315	195	20x15
5-2432409-7	RPQ-3-900	375	231	315	315	195	20x15
5-2432409-8	RPQ-3-1000	375	231	315	315	195	20x15

Note: All dimensions are in mm. Tolerance applicable (+/- 5mm)

CORCOM RPQ SERIES

THREE PHASE LINE REACTOR

PART NUMBER LIST

SELECTION TABLE - RPQ SERIES

TE Part Number	Part Description	Rated Current (Amps)	Rated Power @400V (KW)	Rated Power (HP)	Inductance (mH)	Weight (Kgs)	Termination
2432409-1	RPQ-3-1.8	1.8	1.1	1.5	16.700	3.5	Connector
2432409-2	RPQ-3-2.4	2.4	1.5	2	12.230	3.5	Connector
2432409-3	RPQ-3-3.5	3.5	2.2	3	8.340	3.8	Connector
2432409-4	RPQ-3-5	5	3.1	4.2	5.880	3.8	Connector
2432409-5	RPQ-3-6	6	3.7	5	4.900	4	Connector
2432409-6	RPQ-3-6.5	6.4	4	5.4	4.600	4	Connector
2432409-7	RPQ-3-9	8.8	5.5	7.4	3.340	4.5	Connector
2432409-8	RPQ-3-10	10	6.2	8.4	2.940	5	Connector
2432409-9	RPQ-3-12	12	7.5	10.1	2.450	5.2	Connector
1-2432409-0	RPQ-3-13	13	8.1	10.9	2.270	5.2	Connector
1-2432409-1	RPQ-3-15	15	9.4	12.5	1.960	6	Connector
1-2432409-2	RPQ-3-16	16	10	13.4	1.840	6	Connector
1-2432409-3	RPQ-3-18	17.6	11	14.7	1.670	6.5	Connector
1-2432409-4	RPQ-3-20	20	12.5	16.7	1.470	7	Connector
1-2432409-5	RPQ-3-24	24	15	20.1	1.220	7.5	Connector
1-2432409-6	RPQ-3-25	25	15.6	20.9	1.180	8	Connector
1-2432409-7	RPQ-3-26	26	16.2	21.7	1.130	8	Connector
1-2432409-8	RPQ-3-30	29.7	18.5	24.8	0.990	8.5	Connector
1-2432409-9	RPQ-3-32	32	20	26.8	0.920	35	Cable Lugs
2-2432409-0	RPQ-3-35	35.3	22	29.5	0.834	38	Cable Lugs
2-2432409-1	RPQ-3-40	40	24.9	33.4	0.740	40	Cable Lugs
2-2432409-2	RPQ-3-45	45	28.1	37.6	0.650	42	Cable Lugs
2-2432409-3	RPQ-3-48	48.1	30	40.2	0.611	43	Cable Lugs
2-2432409-4	RPQ-3-55	55	34.3	46	0.530	45	Cable Lugs
2-2432409-5	RPQ-3-59	59.3	37	49.6	0.496	48	Cable Lugs
2-2432409-6	RPQ-3-65	65	40.5	54.3	0.450	49	Cable Lugs
2-2432409-7	RPQ-3-70	70	43.7	58.5	0.420	49	Cable Lugs
2-2432409-8	RPQ-3-72	72.2	45	60.3	0.408	49	Cable Lugs
2-2432409-9	RPQ-3-75	75	46.8	62.7	0.408	50	Cable Lugs
3-2432409-0	RPQ-3-80	80	49.9	66.9	0.370	55	Cable Lugs
3-2432409-1	RPQ-3-85	85	53	71.1	0.350	60	Cable Lugs
3-2432409-2	RPQ-3-90	88.2	55	73.7	0.334	60	Cable Lugs
3-2432409-3	RPQ-3-100	100	62.4	83.6	0.290	40	Busbar
3-2432409-4	RPQ-3-110	110	68.6	91.9	0.270	41	Busbar
3-2432409-5	RPQ-3-115	115	71.7	96.1	0.260	41	Busbar
3-2432409-6	RPQ-3-120	120.3	75	100.5	0.245	41	Busbar
3-2432409-7	RPQ-3-125	125	77.9	104.5	0.240	43	Busbar
3-2432409-8	RPQ-3-130	130	81.1	108.7	0.230	43	Busbar

TE Part Number	Part Description	Rated Current (Amps)	Rated Power @400V (KW)	Rated Power (HP)	Inductance (mH)	Weight (Kgs)	Termination
3-2432409-9	RPQ-3-145	144.3	90	120.7	0.204	45	Busbar
4-2432409-0	RPQ-3-160	160	99.8	133.7	0.180	48	Busbar
4-2432409-1	RPQ-3-180	176.4	110	147.5	0.167	50	Busbar
4-2432409-2	RPQ-3-200	200	124.7	167.2	0.150	52	Busbar
4-2432409-3	RPQ-3-215	211.7	132	177	0.139	54	Busbar
4-2432409-4	RPQ-3-220	220	137.2	183.9	0.130	55	Busbar
4-2432409-5	RPQ-3-260	256.6	160	214.5	0.115	65	Busbar
4-2432409-6	RPQ-3-300	300	187.1	250.8	0.100	65	Busbar
4-2432409-7	RPQ-3-320	320.8	200	268.1	0.092	70	Busbar
4-2432409-8	RPQ-3-400	400.9	250	335.1	0.073	85	Busbar
4-2432409-9	RPQ-3-510	505.2	315	422.3	0.058	90	Busbar
5-2432409-0	RPQ-3-570	569	354.8	475.6	0.052	100	Busbar
5-2432409-1	RPQ-3-600	600	374.1	501.5	0.050	105	Busbar
5-2432409-2	RPQ-3-645	645	400.3	536.6	0.046	105	Busbar
5-2432409-3	RPQ-3-700	700	436.5	585.1	0.040	110	Busbar
5-2432409-4	RPQ-3-750	750	467.7	626.9	0.040	115	Busbar
5-2432409-5	RPQ-3-800	802	500.1	670.4	0.037	115	Busbar
5-2432409-6	RPQ-3-850	850	530	710.5	0.030	118	Busbar
5-2432409-7	RPQ-3-900	900	561.2	752.3	0.030	120	Busbar
5-2432409-8	RPQ-3-1000	1010	629.8	844.2	0.029	125	Busbar

Notes:

1. Rated Power (KW) is calculated for rated current, 230VAC $\cos\phi=0.9$
2. Weight values shows the weight of the shipping carton.

te.com

©2023 TE Connectivity. All Rights Reserved.

Corcom, TE Connectivity, TE connectivity (logo) and Every Connection Counts are trademarks. All other logos, products and/or company names referred to herein might be trademarks of their respective owners.

The information given herein, including drawings, illustrations and schematics which are intended for illustration purposes only, is believed to be reliable. However, TE Connectivity makes no warranties as to its accuracy or completeness and disclaims any liability in connection with its use. TE Connectivity's obligations shall only be as set forth in TE Connectivity's Standard Terms and Conditions of Sale for this product and in no case will TE Connectivity be liable for any incidental, indirect or consequential damages arising out of the sale, resale, use or misuse of the product. Users of TE Connectivity products should make their own evaluation to determine the suitability of each such product for the specific application.

02/23 ED