

TA191209



Sample image

Order symbol : TA191209

Product nr : 5814000

Description : Enclosure, ABS

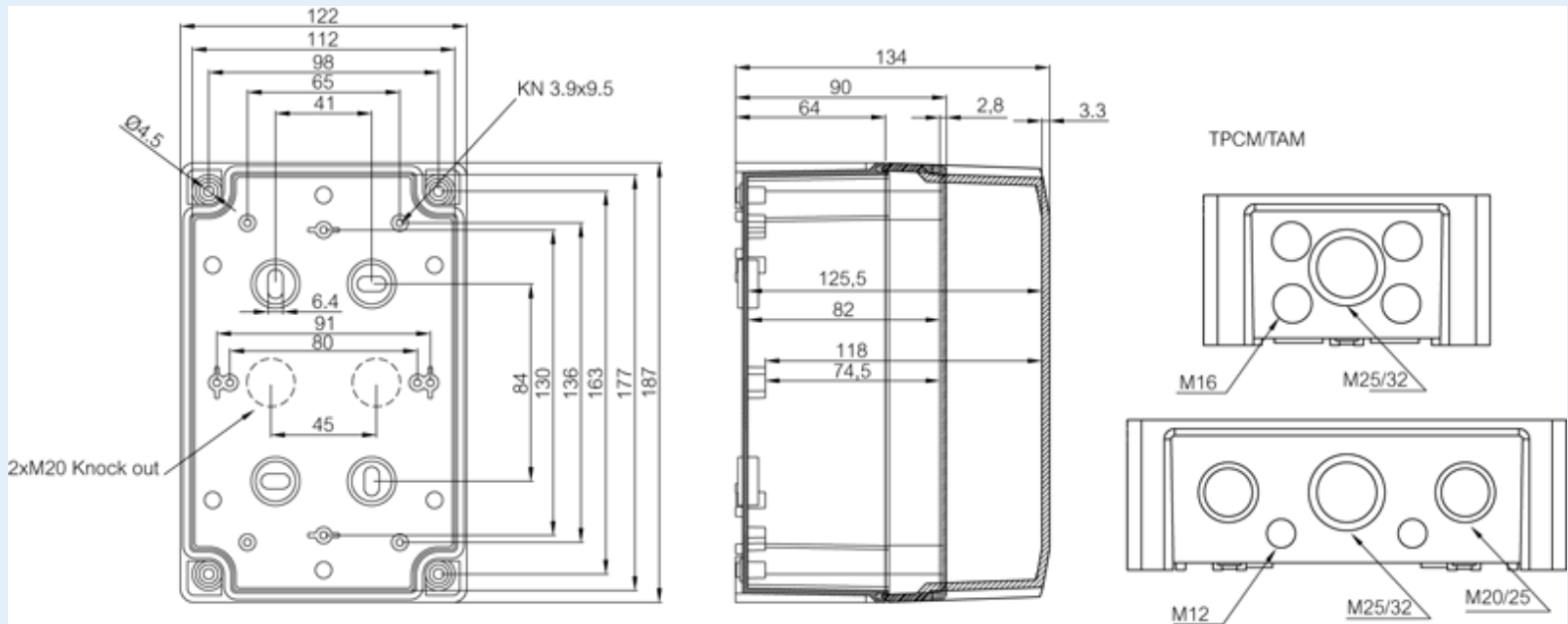
Remarks : Grey cover

EAN : 6418074060723

El. number :

- Finland : 3435682
- Denmark : 8212035001

Including : Base with PUR gasket and screws for mounting plate/DIN-rail. cover with polyamide cover screws and plastic hinges.



Dimensions :

	Height	Width	Depth
mm :	187	122	90
inch :	7.36	4.8	3.54

Materials :

Material : ABS

Accessories :

MIV 10	DIN-35 Mounting rail, for enclosures: (100 x 35 x 1)
MP 1912	Mounting plate, for enclosures: (140 x 100 x 0)
DH-3	DIN-35 Mounting rail, for enclosures: (140 x 35 x 1)
FP 10674	Wall fastening lug (2 pcs) incl. screws

Temperatures :

Temperature °C (short term) :	-40 ... 80
Temperature °F (short term) :	-40 ... 175
Temperature °F (continuous) :	-40 ... 140

Ratings :

Ingress protection (EN 60529):	IP65;
Impact Resistance (EN 62262):	IK07;
electrical_insulation :	Totally insulated

Halogen free (DIN/VDE 0472, Part 815) :	Yes
UV resistance :	-
Flammability Rating :	UL 94 HB
Glow Wire Test (IEC 695-2-1) °C :	650C

Certificates :

Certificate FI 40343