

Industrial Mains Plug With Backshell

multicomp^{PRO}

RoHS
Compliant



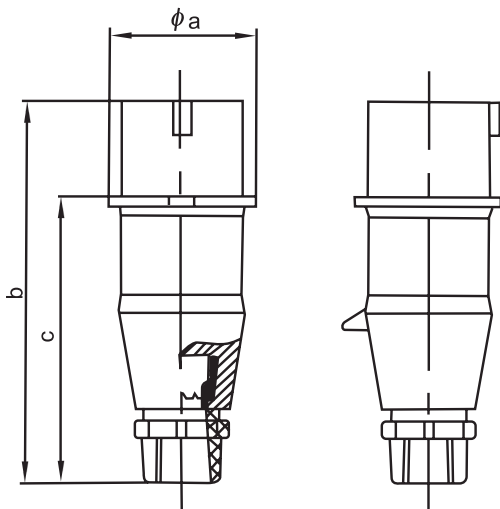
Features

- Clamping cable fix
- With Backshell Structure

Specifications

Current Rating	: 16A / 32A
Voltage Rating	: 230V / 400V 50-60Hz
Poles	: 3 / 4 / 5
IP rating	: IP67
Min Wire Size	: 16A : 1.5mm ² 32A : 2.5mm ²
Max Wire Size	: 16A : 4mm ² 32A : 10mm ²
Cable outer diameter range	: 10mm to 14mm / 13mm to 19mm

Diagram



Dimensions

Poles	3	4	5	3	4	5
a	70.5	78	87	94		101
b	139	139	144	169.5		171.5
c	112.5	113.5	120	136		138

Dimensions : Millimetres

Newark.com/multicomp-pro
Farnell.com/multicomp-pro
sg.element14.com/b/multicomp-pro

multicomp^{PRO}

Industrial Mains Plug With Backshell

multicomp PRO



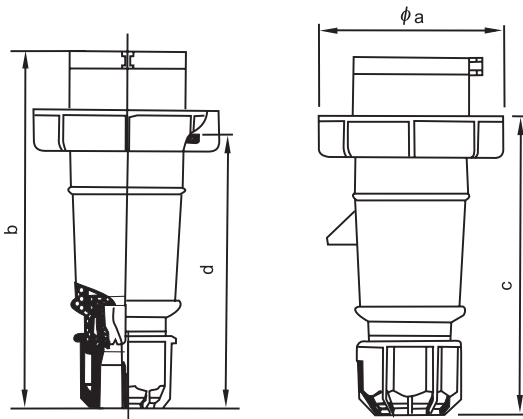
Features

- Clamping cable fix
- With Backshell Structure

Specifications

Current Rating	: 16A / 32A
Voltage Rating	: 230V / 400V 50-60Hz
Poles	: 3 / 4 / 5
IP rating	: IP44
Min Wire Size	: 16A : 1.5mm ² 32A : 2.5mm ²
Max Wire Size	: 16A : 4mm ² 32A : 10mm ²
Cable outer diameter range	: 10mm to 14mm / 13mm to 19mm

Diagram



Dimensions : Millimetres

Dimensions

Poles	3	4	5	3	4	5
a	51	59	68	70		77.5
b	139		144	169.5		171.5
c	101	102	107	123.5		125.5

multicomp PRO

Industrial Mains Plug With Backshell

multicomp PRO

Part Number Table

Description	Part Number
Mains Plug w/ Backshell, 3P, 16A, 230V, IP67	MP011077
Mains Plug w/ Backshell, 4P, 16A, 400V, IP67	MP011078
Mains Plug w/ Backshell, 5P, 16A, 400V, IP67	MP011079
Mains Plug w/ Backshell, 3P, 63A, 230V, IP44	MP011041
Mains Plug w/ Backshell, 4P, 63A, 400V, IP44	MP011042
Mains Plug w/ Backshell, 5P, 63A, 400V, IP44	MP011043
Mains Plug w/ Backshell, 3P, 32A, 230V, IP44	MP011053
Mains Plug w/ Backshell, 4P, 32A, 400V, IP44	MP011054
Mains Plug w/ Backshell, 5P, 32A, 400V, IP44	MP011055
Mains Plug w/ Backshell, 3P, 32A, 230V, IP67	MP011089
Mains Plug w/ Backshell, 4P, 32A, 400V, IP67	MP011090
Mains Plug w/ Backshell, 5P, 32A, 400V, IP67	MP011091

Important Notice : This data sheet and its contents (the "Information") belong to the members of the AVNET group of companies (the "Group") or are licensed to it. No licence is granted for the use of it other than for information purposes in connection with the products to which it relates. No licence of any intellectual property rights is granted. The Information is subject to change without notice and replaces all data sheets previously supplied. The Information supplied is believed to be accurate but the Group assumes no responsibility for its accuracy or completeness, any error in or omission from it or for any use made of it. Users of this data sheet should check for themselves the Information and the suitability of the products for their purpose and not make any assumptions based on information included or omitted. Liability for loss or damage resulting from any reliance on the Information or use of it (including liability resulting from negligence or where the Group was aware of the possibility of such loss or damage arising) is excluded. This will not operate to limit or restrict the Group's liability for death or personal injury resulting from its negligence. Multicomp Pro is the registered trademark of Premier Farnell Limited 2019.

Newark.com/multicomp-pro
Farnell.com/multicomp-pro
sg.element14.com/b/multicomp-pro

multicomp PRO