

140814-1 ✓ ACTIVE

FASTON | FASTON 250

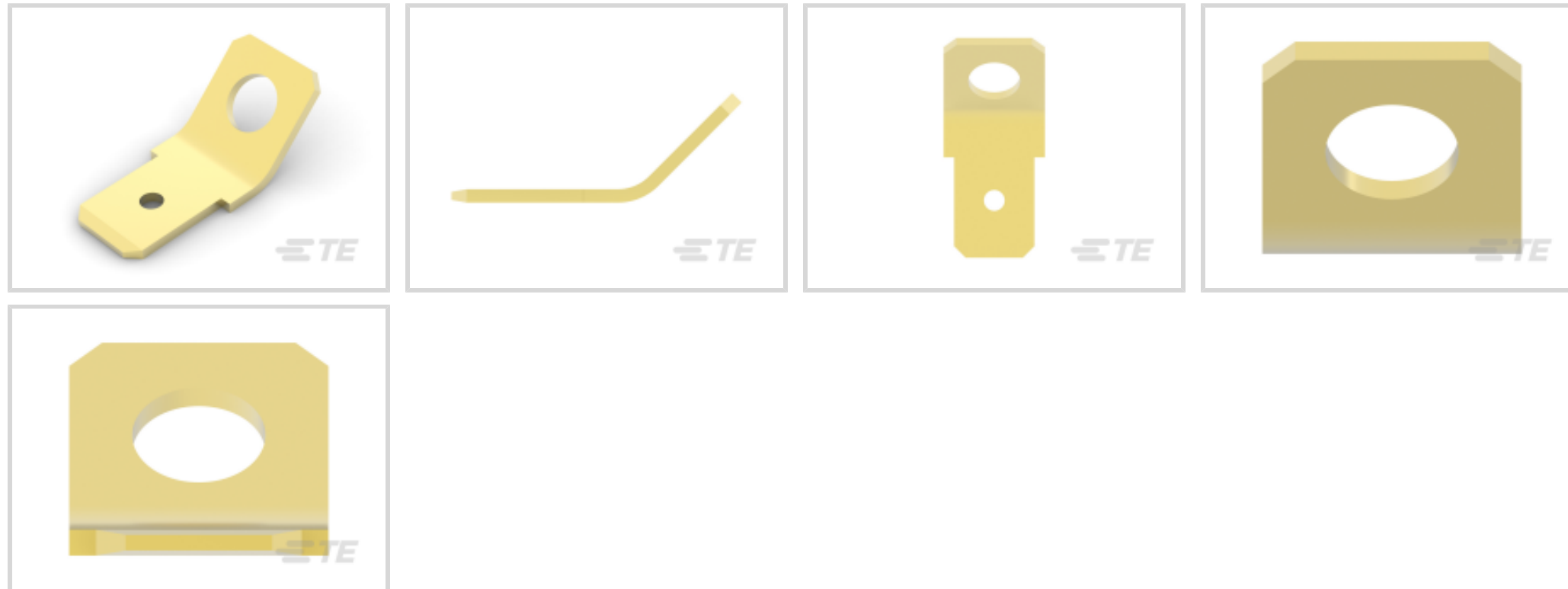
TE Internal #: 140814-1

PCB Terminals, Tab, Mating Tab Width .25 in [6.35 mm], PCB Hole Diameter 4.1 mm [.16 – .16 in], Through Hole - Screw, Unplated Plating, FASTON 250

[View on TE.com >](#)



Terminals & Splices > PCB Terminals



PCB Terminal Type: **Tab**

Mating Tab Width: **6.35 mm [ .25 in ]**

Mating Tab Thickness: **.81 mm [ .032 in ]**

PCB Hole Diameter: **4.1 mm [ .16 – .16 in ]**

Termination Method to Printed Circuit Board: **Through Hole - Screw**

## Features

### Product Type Features

PCB Terminal Mounting Style	Stud Mount
-----------------------------	------------

### Configuration Features

Stud Hole	Yes
Terminal Angle	45 °

### Contact Features

PCB Terminal Type	Tab
Mating Tab Width	6.35 mm[.25 in]
Mating Tab Thickness	.81 mm[.032 in]
Terminal Plating Material	Unplated
Contact Underplating Material	Brass
Terminal Size	6.35
Terminal Orientation	45 Bend

### Termination Features

Termination Method to Printed Circuit Board	Through Hole - Screw
---	----------------------



Product Terminates To	Printed Circuit Board
-----------------------	-----------------------

### Dimensions

Receptacle Terminal Stock Thickness	.81 mm[.032 in]
Stud Diameter	4.1 mm[.161 in]
PCB Hole Diameter	4.1 mm[.16 – .16 in]

### Usage Conditions

Insulation Option	Uninsulated
Operating Temperature Range	-30 – 110 °C[-22 – 230 °F]

### Packaging Features

Packaging Quantity	1000
Packaging Method	Box

### Product Compliance

[For compliance documentation, visit the product page on TE.com>](#)

EU RoHS Directive 2011/65/EU	Compliant
EU ELV Directive 2000/53/EC	Compliant
China RoHS 2 Directive MIIT Order No 32, 2016	No Restricted Materials Above Threshold
EU REACH Regulation (EC) No. 1907/2006	Current ECHA Candidate List: JAN 2023 (233) Candidate List Declared Against: JAN 2023 (233) Does not contain REACH SVHC
Halogen Content	Low Halogen - Br, Cl, F, I < 900 ppm per homogenous material. Also BFR/CFR/PVC Free
Solder Process Capability	Not applicable for solder process capability

#### Product Compliance Disclaimer

This information is provided based on reasonable inquiry of our suppliers and represents our current actual knowledge based on the information they provided. This information is subject to change. The part numbers that TE has identified as EU RoHS compliant have a maximum concentration of 0.1% by weight in homogenous materials for lead, hexavalent chromium, mercury, PBB, PBDE, DBP, BBP, DEHP, DIBP, and 0.01% for cadmium, or qualify for an exemption to these limits as defined in the Annexes of Directive 2011/65/EU (RoHS2). Finished electrical and electronic equipment products will be CE marked as required by Directive 2011/65/EU. Components may not be CE marked. Additionally, the part numbers that TE has identified as EU ELV compliant have a maximum concentration of 0.1% by weight in homogenous materials for lead, hexavalent chromium, and mercury, and 0.01% for cadmium, or qualify for an exemption to these limits as defined in the Annexes of Directive 2000/53/EC (ELV). Regarding the REACH Regulation, the information TE provides on SVHC in articles for this part number is based on the latest European Chemicals Agency (ECHA) 'Guidance on requirements for substances in articles' posted at this URL: <https://echa.europa.eu/guidance-documents/guidance-on-reach>

## Compatible Parts



TE Part # 60465-2  
250 FASTON TAB TPBR



TE Part # 60465-1  
250 FASTON TAB BR



TE Part # 63038-2  
250 FASTON TAB BR



TE Part # 216843-1  
250 FASTON,TAB,PCB,TPPB



TE Part # 5-1377174-1  
SMP 0-0140814-1



TE Part # 141879-2  
250 FASTON,TAB,TPBR



TE Part # 60447-1  
250 FASTON TAB BR



TE Part # 62298-1  
187 FASTON TAB BR



TE Part # 1-1627156-0  
TAB



TE Part # 140732-2  
250 FASTON,TAB,TPBR



TE Part # 140734-2  
250 FASTON,TAB,TPBR



TE Part # 142241-2  
250 FASTON,TAB,TPBR



TE Part # 62162-1  
187 FASTON TAB TPBR



TE Part # 141036-1  
250 FASTON,TAB,BR



TE Part # 141878-1  
250 FASTON,TAB,BR



TE Part # 157431-1  
250 FASTON,TAB ASSY,BR



TE Part # 157431-2  
250 FASTON,TAB,NPBR



TE Part # 726386-1  
250 FASTON TAB BR



TE Part # 60447-2  
250 FASTON TAB CRST

Also in the Series | **FASTON 250**



Compression Connectors(4)



Crimp Terminal Housings(139)



Insertion & Extraction Tools(6)



Magnet Wire Terminals(1)



PCB Terminals(135)

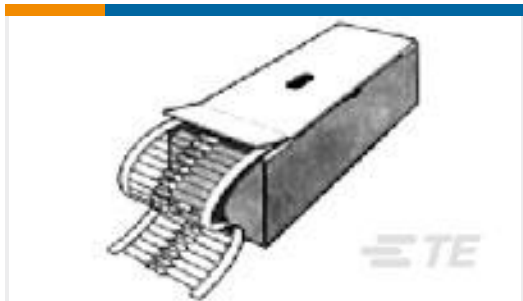


Quick Disconnects(444)



Splices(4)

## Customers Also Bought



TE Part #1-1879927-6  
EP 7W 1K5 5%



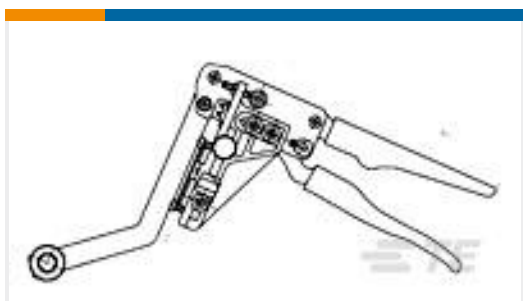
TE Part #2-1630024-6  
HSC250 22R 5%



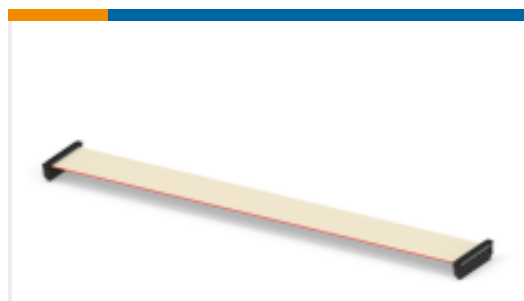
TE Part #TCD14741111-005  
M12D4-MS-RJ-PVC-22SH-TYPE B  
GREEN-5.0M



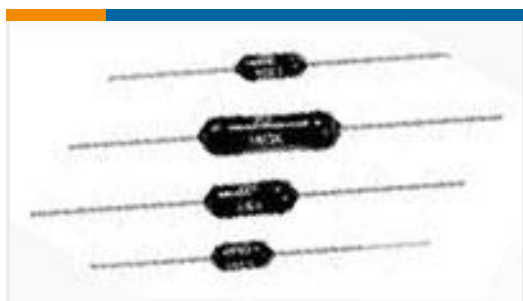
TE Part #1-1579007-7  
EXTRACTION TOOL



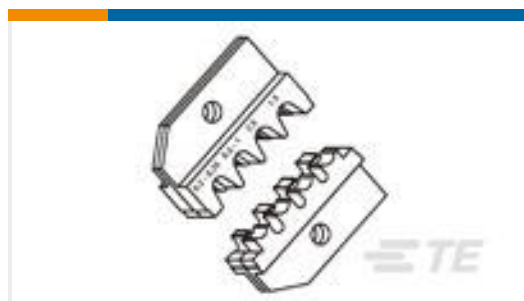
TE Part #734870-1  
CRIMP HT, MICRO-MATCH COSI, AW



TE Part #173795-E  
IDCCS SMC 1,27 50 \* AU AUI 300 PVC  
RD J



TE Part #3-1879627-2  
H4P 200R 1% 100PPM



TE Part #5-1579001-3  
ERGO DIE MCP1.5K



TE Part #2-1579008-1  
EXTRACTION TOOL



TE Part #364228-E  
SRCBUG A 2,54 2.5 CSI 164 E1 ADV J  
2324

## Documents



### CAD Files

#### Customer View Model

[ENG\\_CVM\\_CVM\\_140814-1\\_S.2d\\_dxf.zip](#)

English

#### 3D PDF

3D

#### Customer View Model

[ENG\\_CVM\\_CVM\\_140814-1\\_S.3d\\_igs.zip](#)

English

#### Customer View Model

[ENG\\_CVM\\_CVM\\_140814-1\\_S.3d\\_stp.zip](#)

English

By downloading the CAD file I accept and agree to the [Terms and Conditions](#) of use.

### Product Environmental Compliance

[MD\\_140814-1\\_0707201493\\_dmtec](#)

English

[MD\\_140814-1\\_0707201493\\_dmtec](#)

English