

# Product datasheet

Specifications



## Fiber Converter SM/LC 2CH 100Mb

BMXNRP0201

### Main

Range of product	Modicon X80
Product or component type	Fibre optic repeater
Optic fiber type	Single mode

### Complementary

Rated voltage	24 V
Current consumption	140 mA typical 200 mA maximum
Function available	Hot swap
Number of port	2 RJ45 with 100BASE-TX port Ethernet conforming to IEEE 802.3u 2 fiber optic with 100BASE-FX port Ethernet conforming to IEEE 802.3u
Local signalling	1 LED (green) for power supply status 1 LED (red) for error condition (ERR) 2 LEDs (green) for link status 2 LEDs (green) for fiber port state and activity
Wavelength	1310 nm
Operating distance	0...15000 m
Attenuation	-15...-8 dB (9/125 $\mu$ m)
Rise/Fall time	2.5 ns
Receiver sensitivity	- 31...- 8 dBm
Marking	CE
Width	32 mm
Height	100 mm
Depth	86 mm
Net weight	203 g

### Environment

Ambient air temperature for operation	0...60 °C
Ambient air temperature for storage	-40...70 °C
Relative humidity	0...95 %
Directives	2014/35/EU - low voltage directive 2014/30/EU - electromagnetic compatibility

<b>Product certifications</b>	CE RCM CSA EAC Merchant Navy UL
<b>Standards</b>	EN/IEC 61010-2-201 EN/IEC 61131-2 UL 61010-2-201 CSA C22.2 No 61010-2-201
<b>Dielectric strength</b>	1400 V DC between field and bus 500 V DC between channels
<b>IP degree of protection</b>	IP20
<b>Operating altitude</b>	0...4000 m

## Packing Units

<b>Unit Type of Package 1</b>	PCE
<b>Number of Units in Package 1</b>	1
<b>Package 1 Height</b>	5.800 cm
<b>Package 1 Width</b>	11.000 cm
<b>Package 1 Length</b>	13.000 cm
<b>Package 1 Weight</b>	250.000 g
<b>Unit Type of Package 2</b>	S02
<b>Number of Units in Package 2</b>	14
<b>Package 2 Height</b>	15.000 cm
<b>Package 2 Width</b>	30.000 cm
<b>Package 2 Length</b>	40.000 cm
<b>Package 2 Weight</b>	3.840 kg

## Offer Sustainability

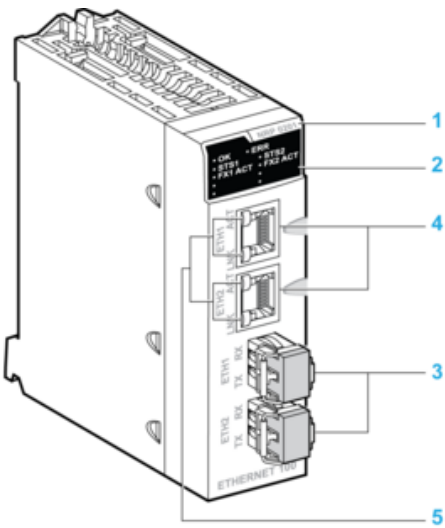
<b>Sustainable offer status</b>	Green Premium product
<b>REACH Regulation</b>	<a href="#">REACH Declaration</a>
<b>REACH free of SVHC</b>	Yes
<b>EU RoHS Directive</b>	Pro-active compliance (Product out of EU RoHS legal scope) <a href="#">EU RoHS Declaration</a>
<b>Mercury free</b>	Yes
<b>China RoHS Regulation</b>	<a href="#">China RoHS declaration</a>
<b>RoHS exemption information</b>	<a href="#">Yes</a>
<b>Environmental Disclosure</b>	<a href="#">Product Environmental Profile</a>
<b>Circularity Profile</b>	<a href="#">End of Life Information</a>
<b>WEEE</b>	The product must be disposed on European Union markets following specific waste collection and never end up in rubbish bins

## Contractual warranty

<b>Warranty</b>	18 months
-----------------	-----------

## Presentation

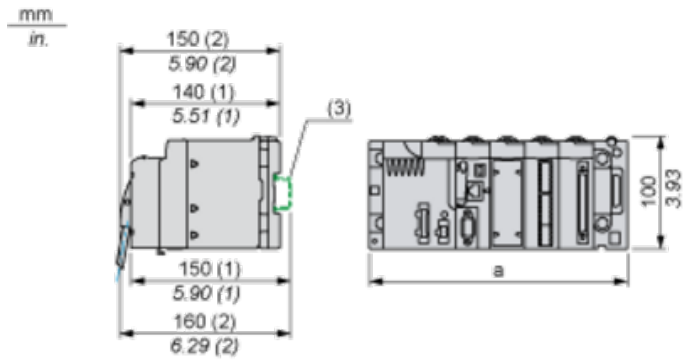
---



- 1 : Model number
- 2 : LED display panel
- 3 : Optical port with SFP transceiver for LC-type connector
- 4 : RJ45 Ethernet port
- 5 : LNK and ACT LED indicators on the RJ45 Ethernet port

**Modules Mounted on Racks**

**Dimensions**



(1) With removable terminal block (cage, screw or spring).

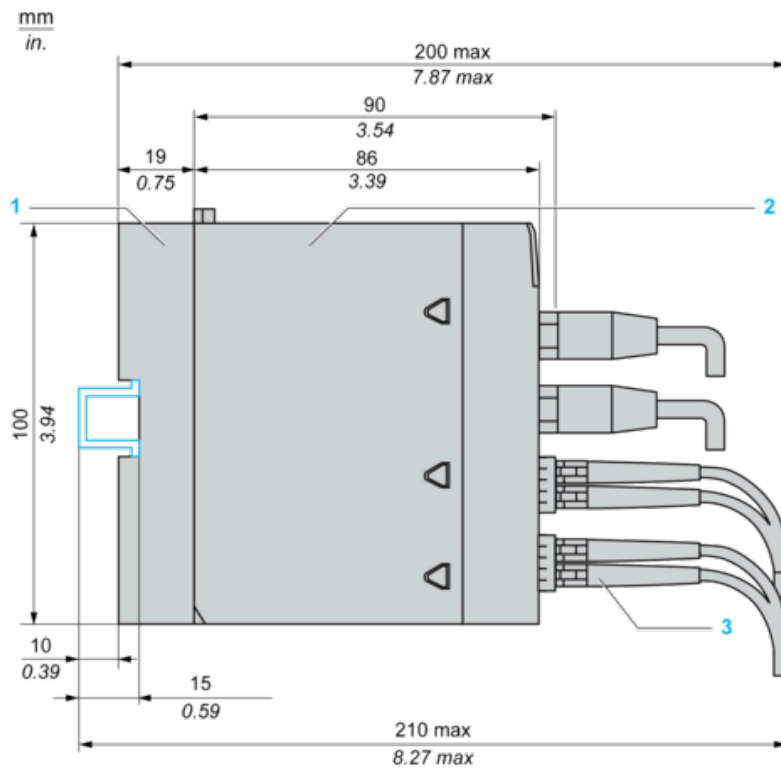
(2) With FCN connector.

(3) On AM1 ED rail: 35 mm wide, 15 mm deep. Only possible with BMXXBP0400/0400H/0600/0600H/0800/0800H rack.

Rack references	a in mm	a in in.
BMXXBP0400 and BMXXBP0400H	242.4	09.54
BMXXBP0600 and BMXXBP0600H	307.6	12.11
BMXXBP0800 and BMXXBP0800H	372.8	14.68
BMXXBP1200 and BMXXBP1200H	503.2	19.81

Mechanical Specifications

Dimensions



- 1 : Backplane
- 2 : Module
- 3 : Cable connections

Recommended replacement(s)