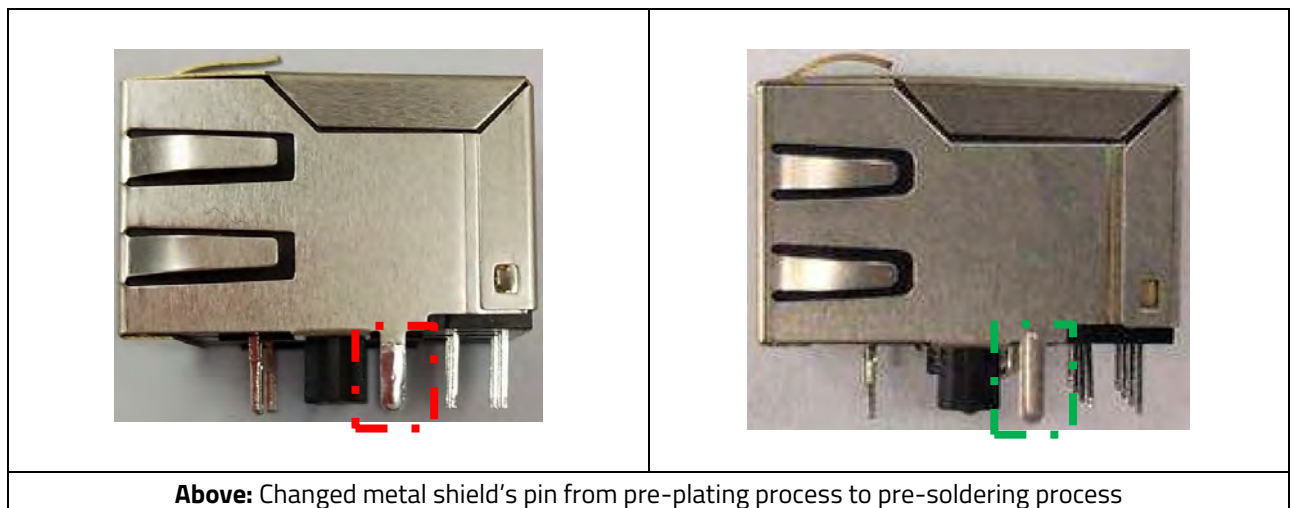
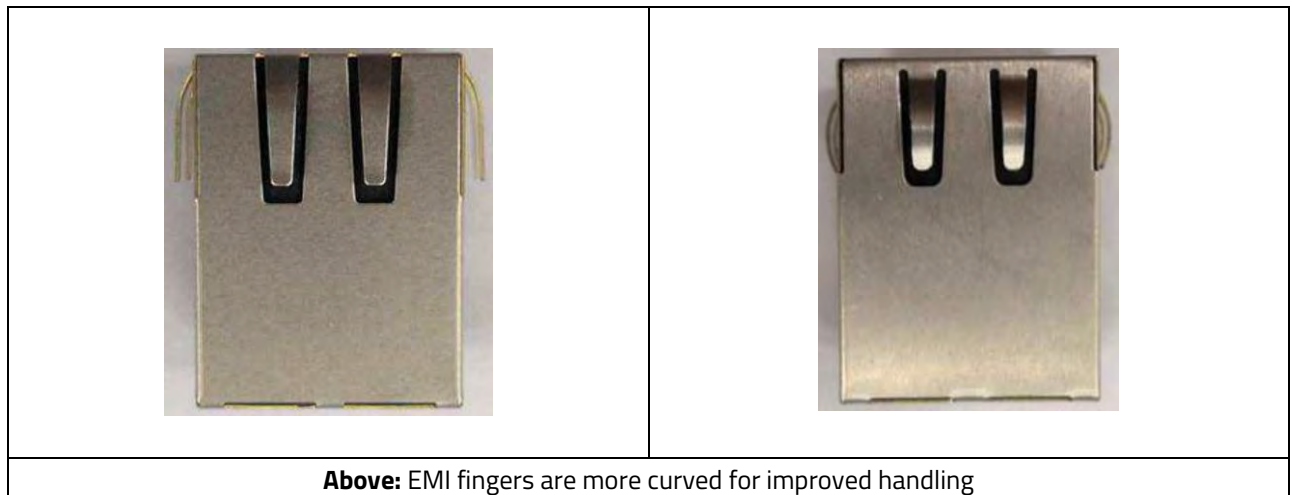
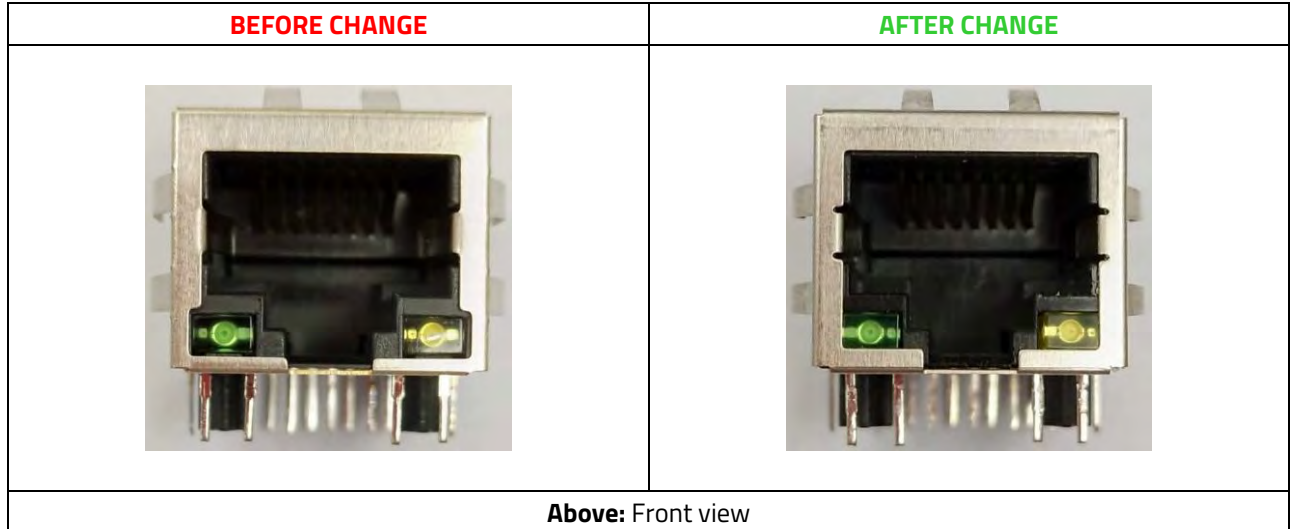
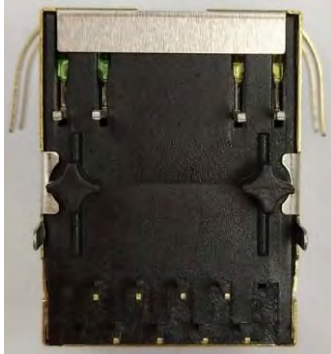




Product / Process Change Notification (PCN)	
<input checked="" type="checkbox"/> Major change <input type="checkbox"/> Minor change	
PCN #: PCN_UtRJ45LAN_20230711 Affected Series: WE-RJ45LAN-Series; 749XXX, SXXX PCN Date: April 11, 2023 Effective Date: July 11, 2023	Change Category: <input type="checkbox"/> Equipment / Location <input checked="" type="checkbox"/> General Data <input checked="" type="checkbox"/> Material <input checked="" type="checkbox"/> Process <input checked="" type="checkbox"/> Product Design <input type="checkbox"/> Shipping / Packaging <input type="checkbox"/> Supplier <input type="checkbox"/> Software
Contact: Product Management Phone: +49 (0) 7942 - 945 5001 Fax: +49 (0) 7942 - 945 5179 E-Mail: pcn.eisos@we-online.com	Data Sheet Change: <input checked="" type="checkbox"/> Yes <input type="checkbox"/> No Attachment: <input type="checkbox"/> Yes <input checked="" type="checkbox"/> No
Description and purpose of change: <p>To improve the product reliability, Würth Elektronik will implement a new spot welding design technology. Along with this, further general improvements are done in design and process, like shield plating or wire to shield insulation.</p> <p>Additional Würth Elektronik will change to a new data sheet format and correct datasheet mismatches. All products with date code 2023-06-30 or later, will be affected by this change.</p> <p>There will be no change in fit and function of the product.</p>	

Detail of Change:





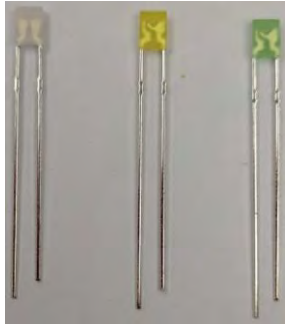
Affected P/Ns: 7499211123, 74990111215, 74990110013, 7499111443

Above: Changed plastic housing material from PA10T to PA66



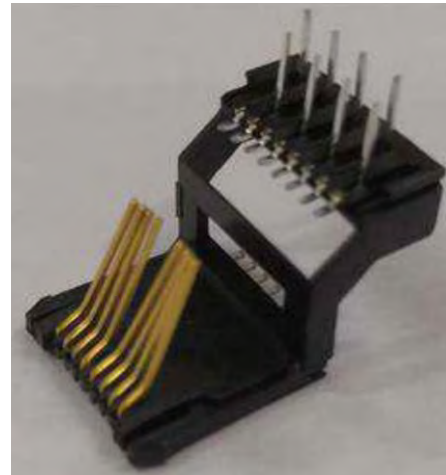
Affected P/N: 7499111443

Above: Changed from cambered to flat surface and from diffused to transparent LED



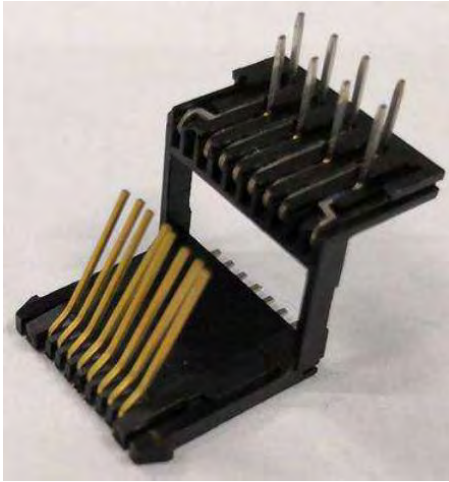
Affected P/Ns: 74992101211, 7499410420, 7499211260, 7499211230, 74990111215A, S13100040, 74990112124, 74990111211, 7499011444A, 7499111440A, 7499111441A, S14100074, 7499111446, S17100096, 7499111424, 7499111423, S16100099, 7499010441, S13100049, S14100137, 74994114400, S18100064, 74990102133

Above: Changed from diffused to transparent LED



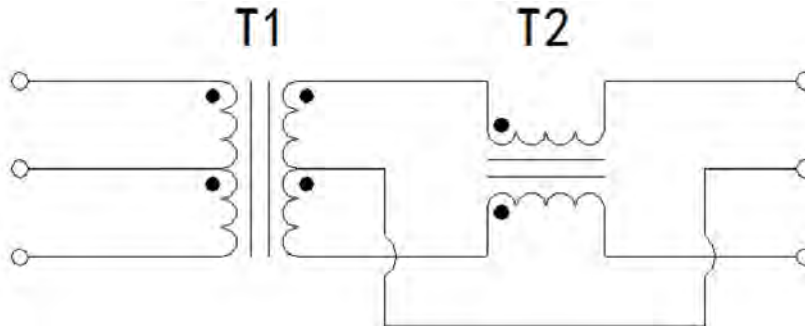
Affected P/Ns: 7499211123, 74990111215, 74990110013, 7499111443

Above: Material of plastic insert changed from PA10T to PA66



Affected P/Ns: S16100001, 7499410213, S17100055, S16100013, 7499210213, 7499211123A, 7499210211, 7499211123, 7499211002A, 74992101211, 7499211122A, 7499210122, 7499210121, 7499211121, 7499410420, 7499211121A, 7499210121A, 74992111211, 7499211220, 7499211260, 7499211230, 74990111215A, 74990111215, 74990110013, 7499012000, 7499011121, 7499011215, 7499011125, 7499010213, 74990112120, 7499011122A, 74990100040, S17100003, 7499011223A, 7499011213A, S13100040, 74990110031, 74990112124, 7499111443, 7499111440A, 7499111121A, 7499111001A, 7499111441A, S14100074, 7499111446, S17100096, 7499111424, 7499110122, 7499111423, 7499111213, S16100099, S20100137, S14100141, S13100049, S14100137, S18100064, 7499211123, 74990111215, 74990110013, 7499111443

Above: Change of inner pin design



Content	Specification
T1 core	3.43x1.78x2.06 mm
T2 core	2.64x1.40x1.27 mm
Wire	0.10mm QPN
T1 Turns	12T
T2 Turns	10T

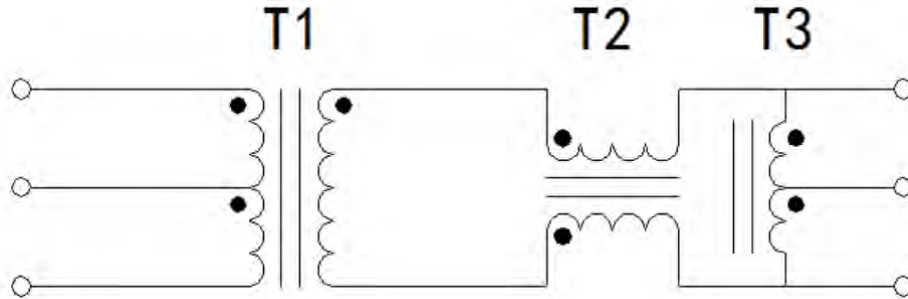
Content	Specification
T1 core	3.05x1.78x2.03 mm
T2 core	2.64x1.40x1.27 mm
Wire	0.09mm QPN
T1 Turns	14T
T2 Turns	10T

Above: 7499210213, 74990100040, S17100003, 7499011223A, 7499111440A, 7499111121A, 7499111001A, 7499111441A, S16100099, 7499010441, S14100137, S18100064, 74990102133

Content	Specification
T1 core	3.05x1.78x1.52 mm
T2 core	2.64x1.40x1.27 mm
Wire	0.09mm QPN
T1 Turns	15T
T2 Turns	10T

Content	Specification
T1 core	3.05x1.78x2.03 mm
T2 core	2.64x1.40x1.27 mm
Wire	0.09mm QPN
T1 Turns	14T
T2 Turns	10T

Above: 7499111213, 7499011127



Content	Specification
T1 core	3.43x1.78x2.06 mm
T2 core	2.64x1.40x1.27 mm
T3 core	3.43x1.78x2.06 mm
Wire	0.10mm QPN
T1 Turns	12T
T2 Turns	10T
T3 Turns	23T

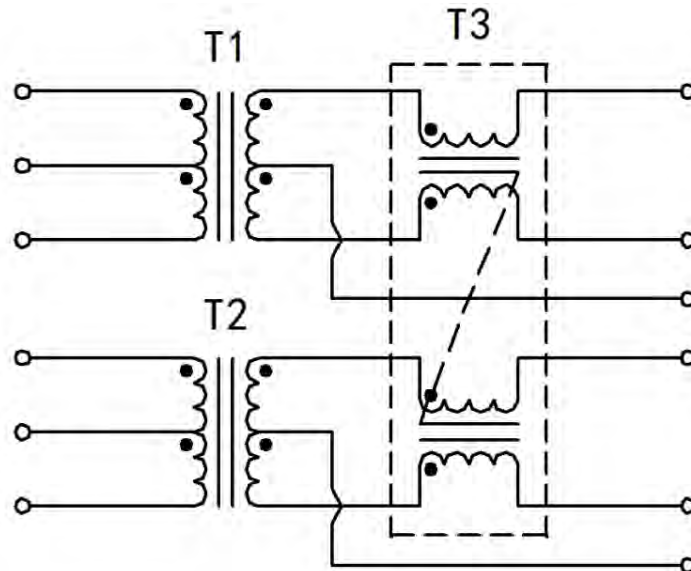
Content	Specification
T1 core	3.43x1.78x2.06 mm
T2 core	2.64x1.40x1.27 mm
T3 core	3.43x1.78x2.06 mm
Wire	0.10mm QPN
T1 Turns	12T
T2 Turns	10T
T3 Turns	23T

Above: 7499211121A, 7499210121A, 74992111211, 7499211220, 7499011122A, 7499011213A, S13100040, 74990110031, 74990112124, S14100074, S20100137, S14100141

Content	Specification
T1 core	2.92x1.62x2.41 mm
T2 core	2.64x1.40x1.27 mm
T3 core	2.92x1.62x1.78 mm
Wire	0.09mm QPN
T1 Turns	14T
T2 Turns	16T
T3 Turns	24T

Content	Specification
T1 core	3.43x1.78x2.06 mm
T2 core	2.64x1.40x1.27 mm
T3 core	3.43x1.78x2.06 mm
Wire	0.10mm QPN
T1 Turns	12T
T2 Turns	10T
T3 Turns	23T

Above: 7499210122, 7499210121, 7499211121



Content	Specification
T1 core	3.05x1.78x2.00 mm
T2 core	3.05x1.78x2.00 mm
T3 core	3.05x1.78x1.52 mm
Wire	0.10mm QPN
T1 Turns	13T
T2 Turns	13T
T3 Turns	14T

Content	Specification
T1 core	3.43x1.78x2.06 mm
T2 core	3.43x1.78x2.06 mm
T3 core	3.43x1.78x1.27 mm
Wire	0.09mm QPN
T1 Turns	12T
T2 Turns	12T
T3 Turns	10T

Above: 7499210211



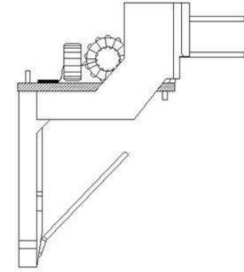
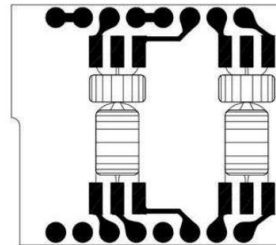
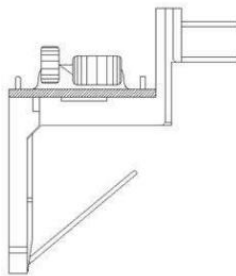
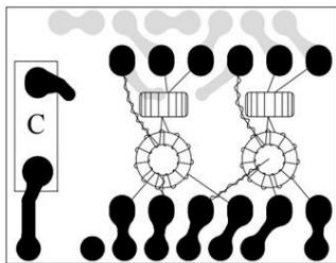
Affected P/Ns: S16100001, 7499410213, S17100055, S16100013, 7499210213, 7499211123A, 7499211123, 7499211002A, 74992101211, 7499211122A, 74990111215, 74990110013, 7499012000, 7499011121, 7499011215, 7499011125, 7499010213, 74990112120, 7499011223A

Above: Change from THT capacitor to SMD capacitor



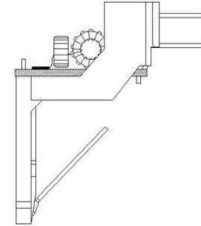
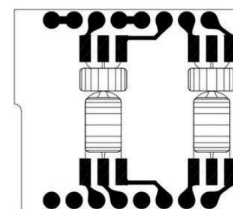
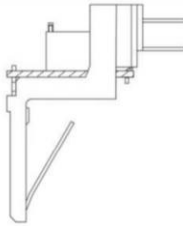
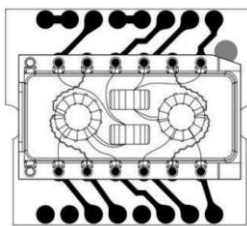
Affected P/Ns: 7499210122, 7499210121, 7499211121

Above: change rectifier bridge



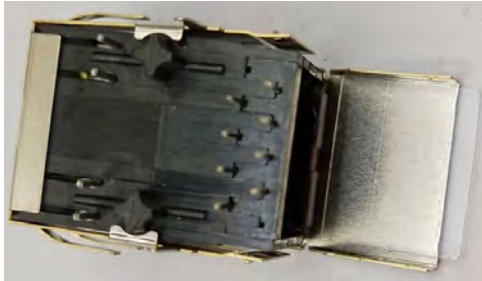
Affected P/N: 7499011223A

Above: inner structure



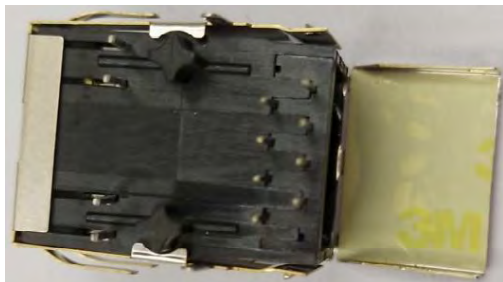
Affected P/Ns: 7499011001A, 7499010004A, 7499011003A, 74990112121, 7499011212A, 7499010211A,
 7499011222A, 74990111211, 74990101211, 7499011216A, 74990100013, 7499011444A, 7499011215A,
 7499011002A, 7499011121A, 74990112111A, 74990112123

Above: inner structure



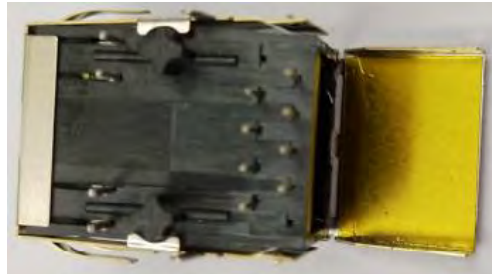
Affected P/Ns: 7499210213, 7499211123A, 7499210122, 7499210121, 7499211121, 7499410420, 7499211121A, 7499210121A, 74992111211, 7499211220, 74990111215A, 7499011122A, 7499011213A, S13100040, 74990112124, S14100074, S17100096, 7499111424, 7499110122, 7499111423, 7499111213, S14100141, 74994114400, 7499011001A, 74990100013, 7499011127

Above: PET insulation film changed to PC insulation film



Affected P/Ns: S16100001, 7499410213, S17100055, S16100013, 7499211002A, 74992101211, 7499211122A, 7499211260, 7499211230, 74990111215, 74990110013, 7499010213, 74990112120, 7499111440A, 7499111121A, 7499111001A, 7499111441A, 7499111446, S16100099, 7499010441, S20100137, S13100049, S14100137, S18100064, 74990102133

Above: Polyethylene terephthalate film insulating tape changed to PC insulation film



Affected P/Ns: 7499211123, 7499111443

Above: Polyimide film insulating tape changed to PC insulation film

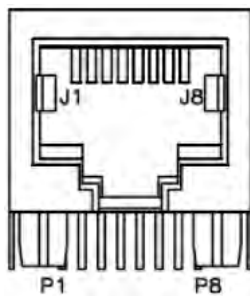
Affected P/Ns: 7499010004A, 7499011003A, 74990112121, 7499011212A, 7499010211A, 7499011222A, 74990111211, 74990101211, 7499011216A, 7499011444A, 7499011215A, 7499011002A, 7499011121A, 74990112111A, 74990112123

Above: Insulating film is removed

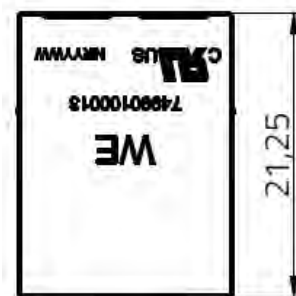
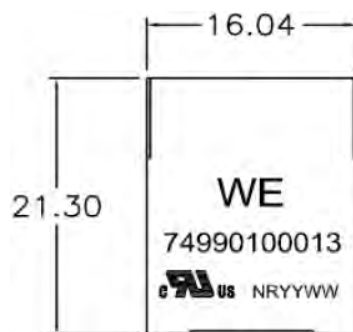
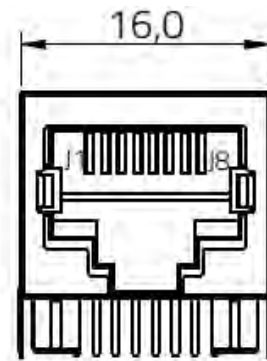
Datasheet correction:

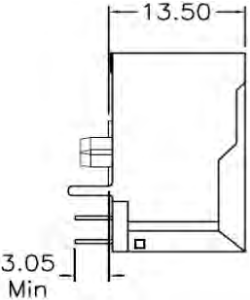
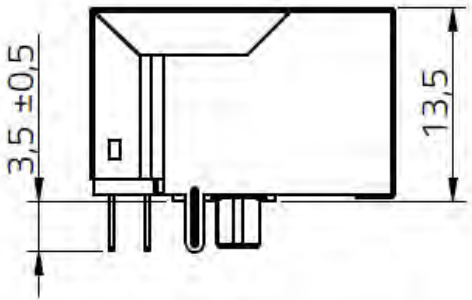
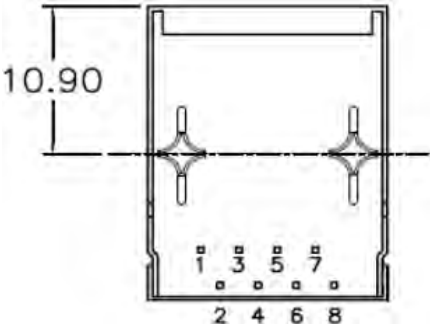
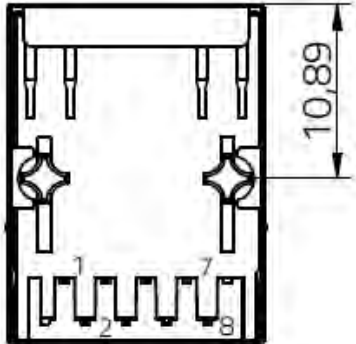
74990100013:

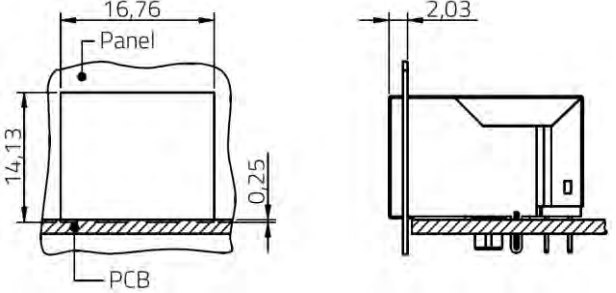
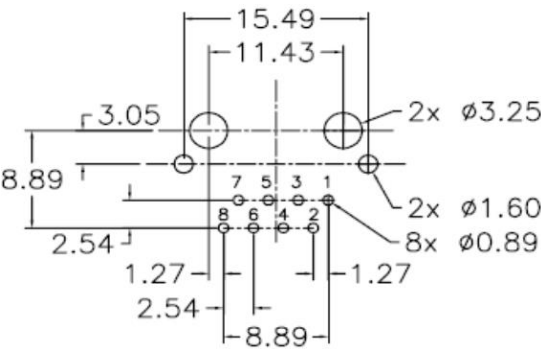
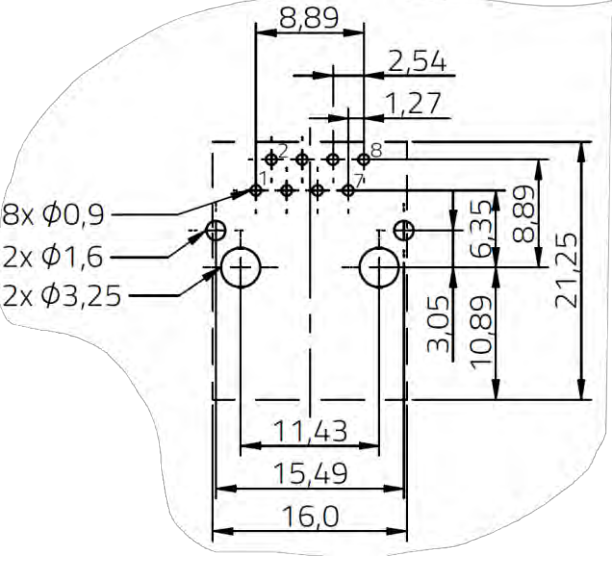
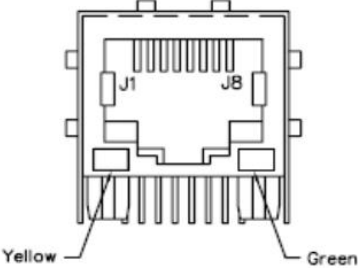
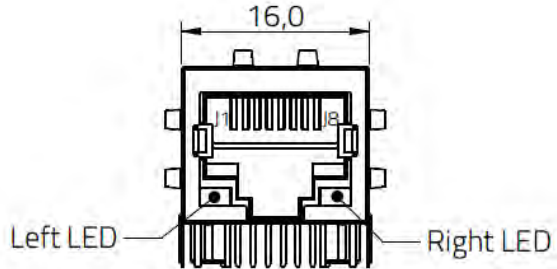
BEFORE CORRECTION

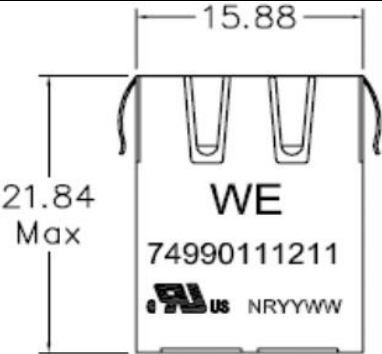
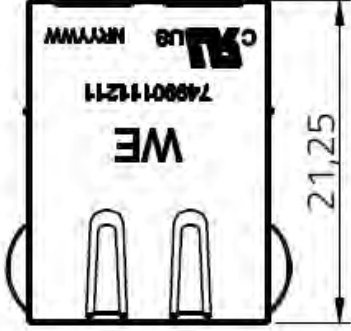
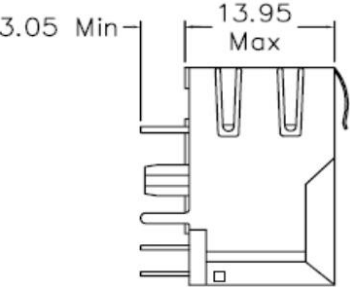
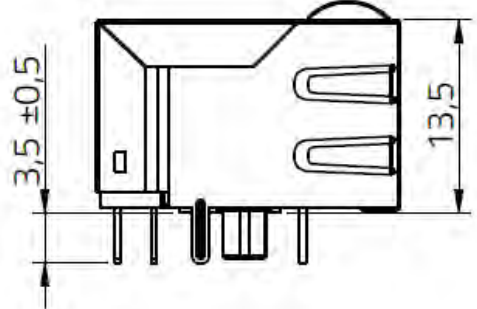
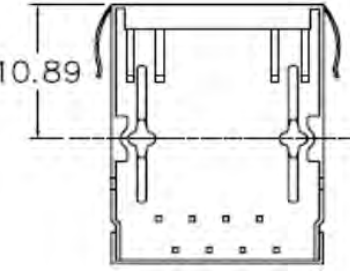
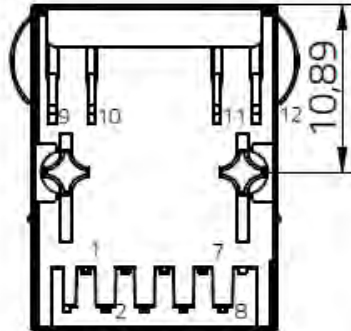


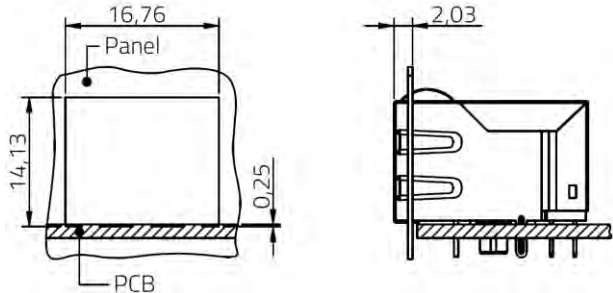
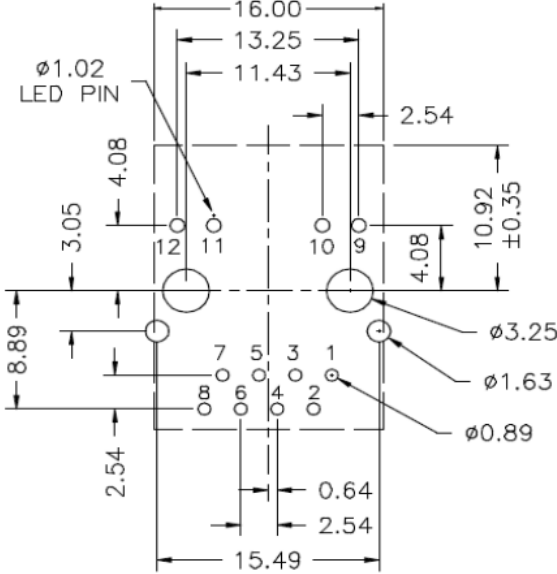
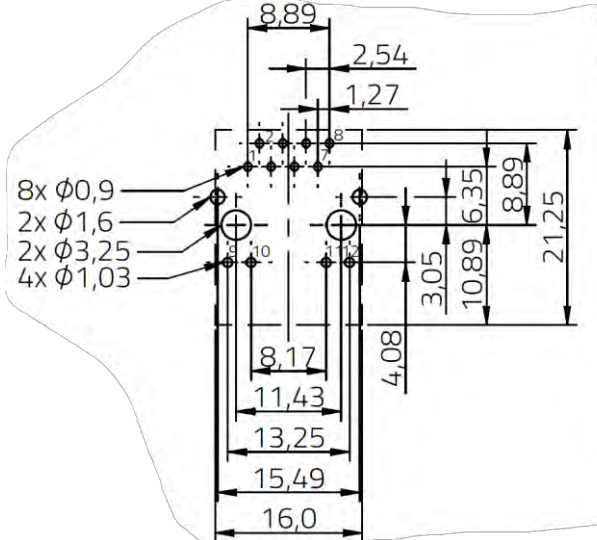
AFTER CORRECTION



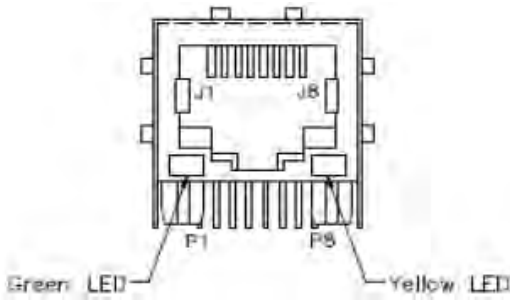
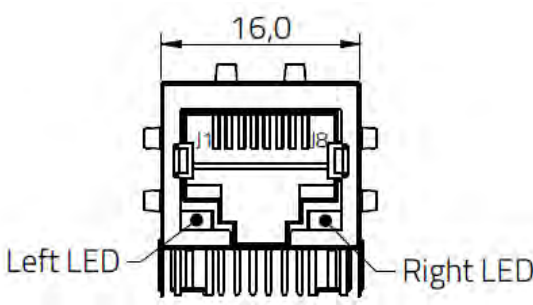
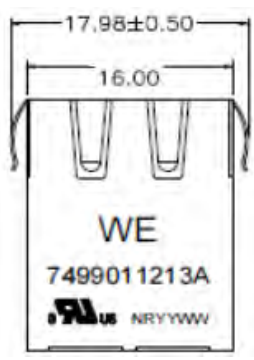
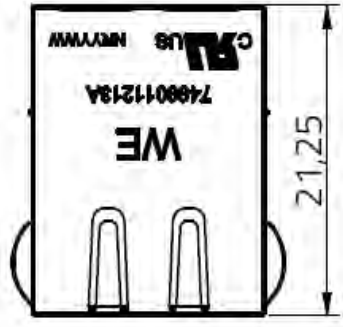
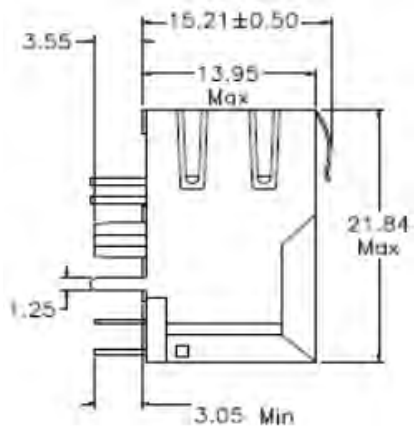
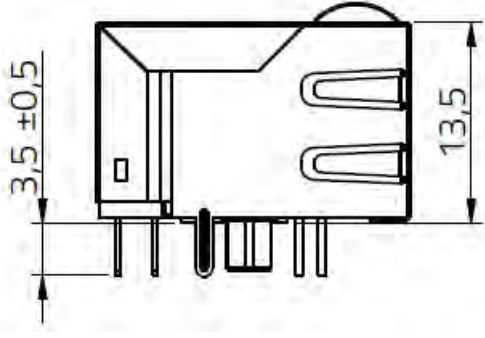
	
	
<p>Return Loss: 1-30 MHz 40 MHz 50 MHz 60-100 MHz</p>	<p>Return Loss: 1-30 MHz 30-60 MHz 60-80 MHz 80-100 MHz</p>
<p>Common Mode Rejection: 30 MHz 60 MHz 100 MHz</p>	<p>Common Mode Rejection: 1-30 MHz 30-60 MHz 60-100 MHz</p>
<p>Crosstalk: 80 MHz</p>	<p>Crosstalk: 1-60 MHz 60-100 MHz</p>

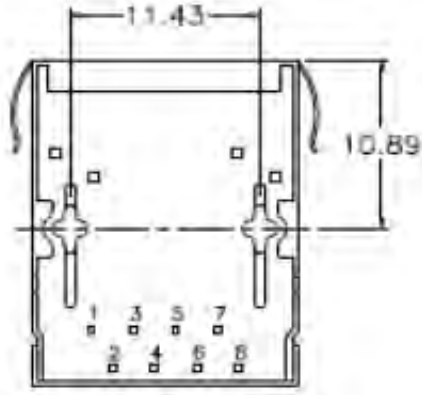
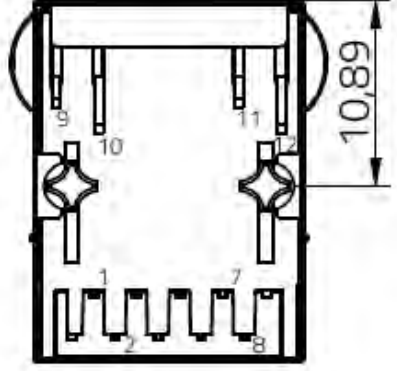
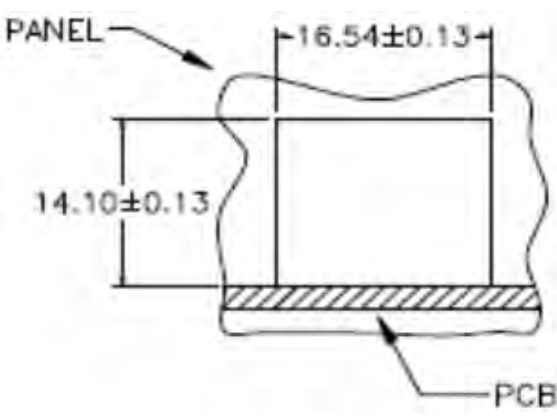
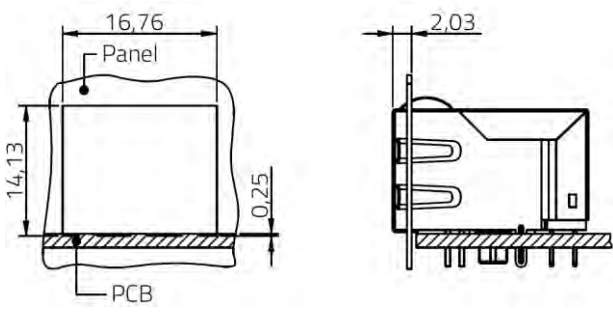
<p>No panel cutout</p>	
	
<p>74990111211:</p>	
<p style="text-align: center;">BEFORE CORRECTION</p> 	<p style="text-align: center;">AFTER CORRECTION</p> 

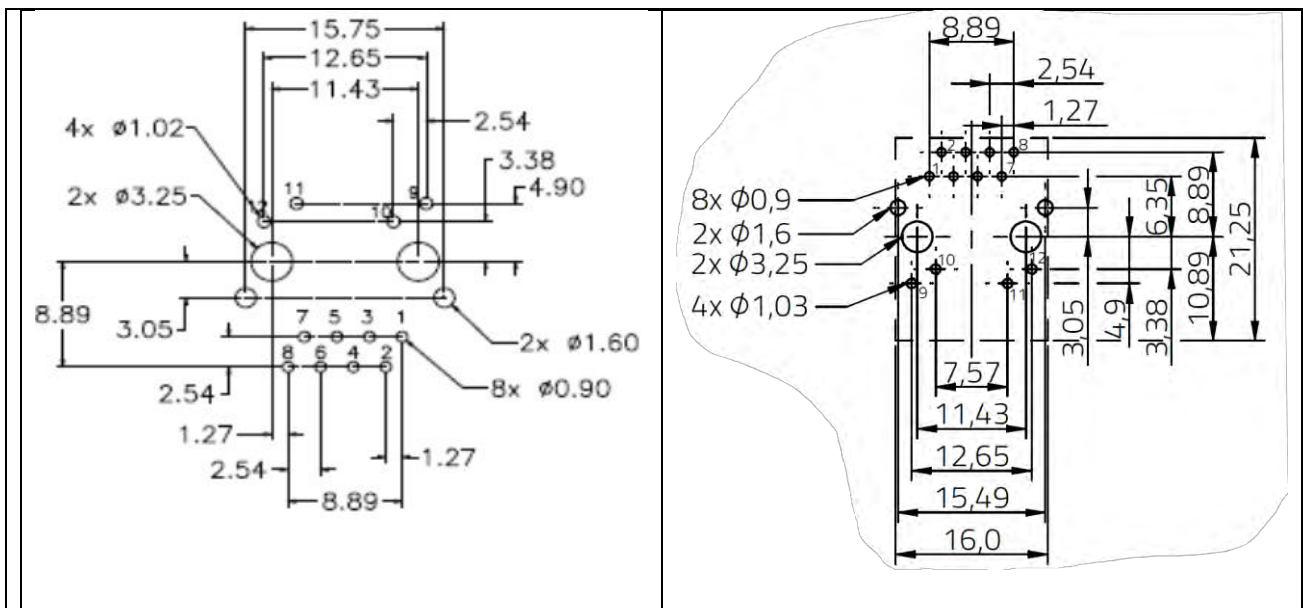
	
	
	
<p>Return Loss: 1-10 MHz 10-30 MHz 30-60 MHz 60-80 MHz</p>	<p>Return Loss: 1-30 MHz 30-60 MHz 60-80 MHz 80-100 MHz</p>
<p>Common Mode Rejection: 1-50 MHz 50-100 MHz</p>	<p>Common Mode Rejection: 1-30 MHz 30-60 MHz 60-100 MHz</p>

<p>Crosstalk: 1-30 MHz 30-60 MHz 60-100 MHz</p>	<p>Crosstalk: 1-60 MHz 60-100 MHz</p>
<p>No panel cutout</p>	
 <p>(Component Side View)</p>	

7499011213A:

BEFORE CORRECTION	AFTER CORRECTION
	
	
	

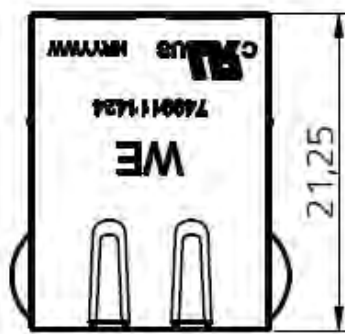
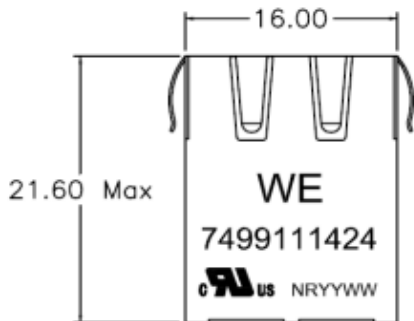
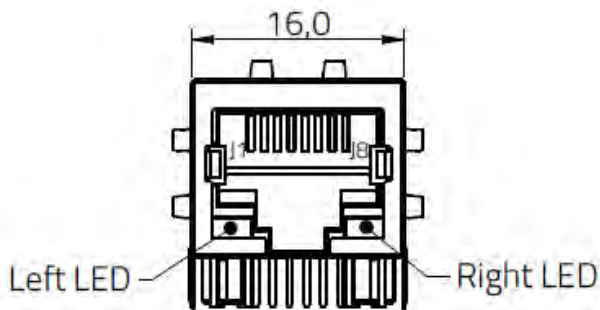
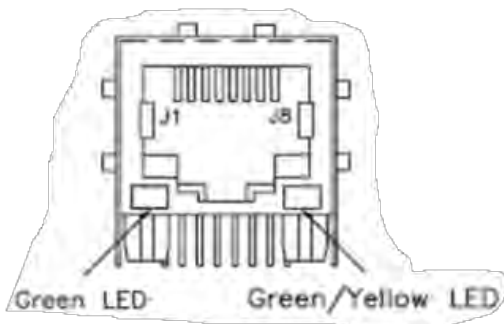
	
<p>Return Loss: 1-10 MHz 10-30 MHz 30-60 MHz 60-80 MHz</p>	<p>Return Loss: 1-30 MHz 30-60 MHz 60-80 MHz 80-100 MHz</p>
<p>Common Mode Rejection: 1-50 MHz 50-100 MHz</p>	<p>Common Mode Rejection: 1-30 MHz 30-60 MHz 60-100 MHz</p>
<p>Crosstalk: 1-30 MHz 30-60 MHz 60-100 MHz</p>	<p>Crosstalk: 1-60 MHz 60-100 MHz</p>
	

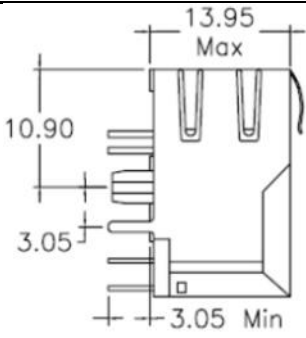
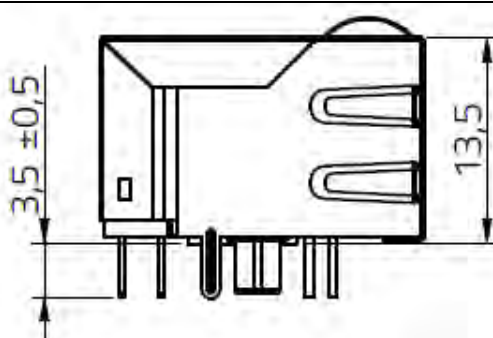
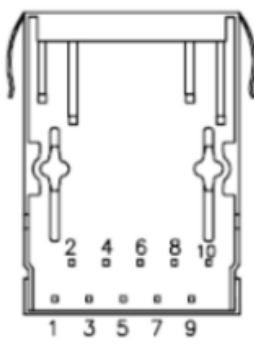
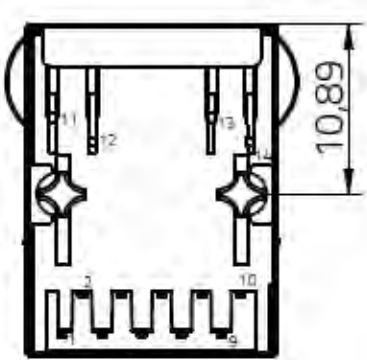


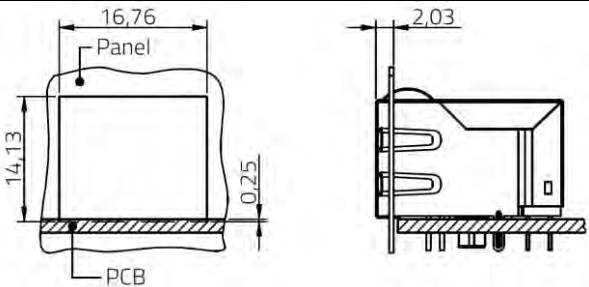
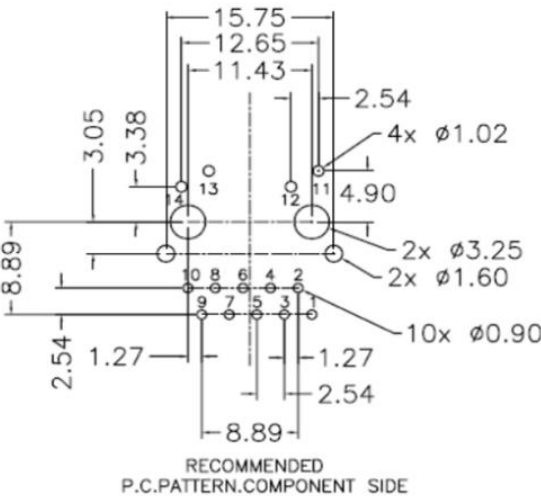
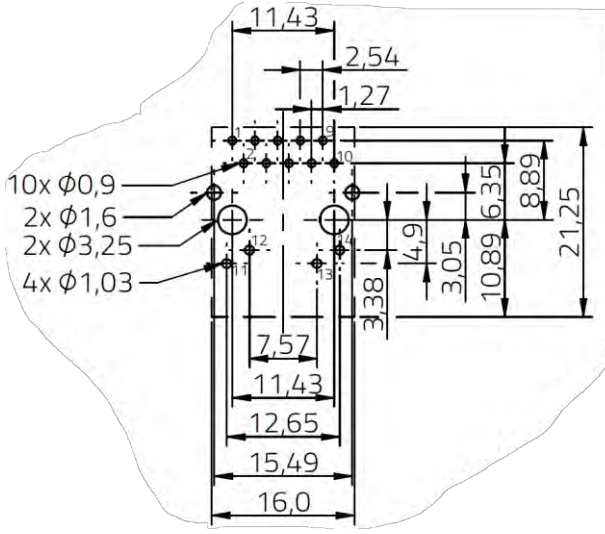
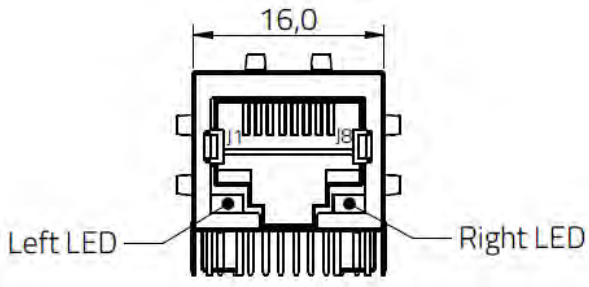
7499111424:

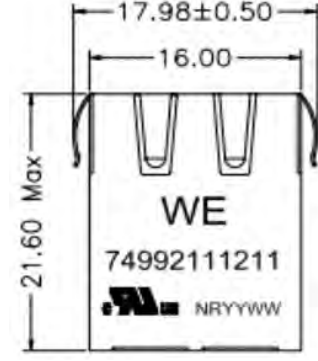
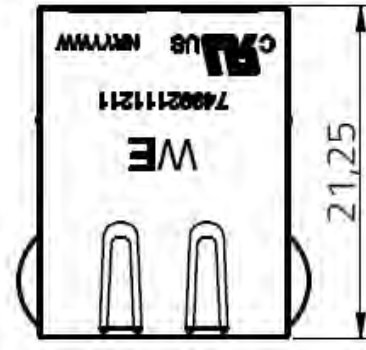
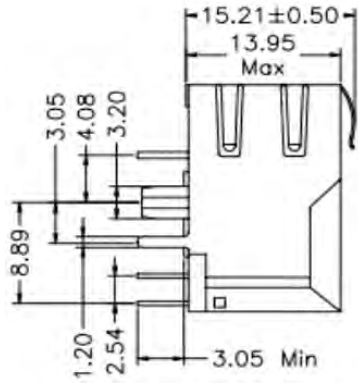
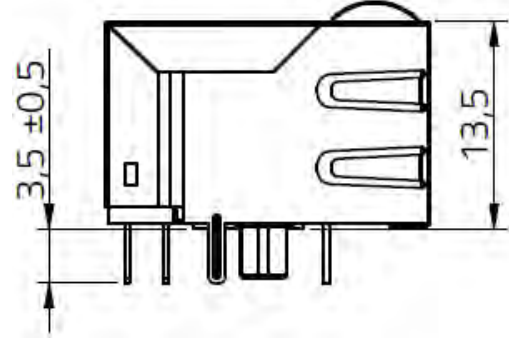
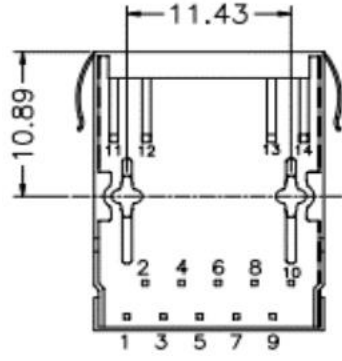
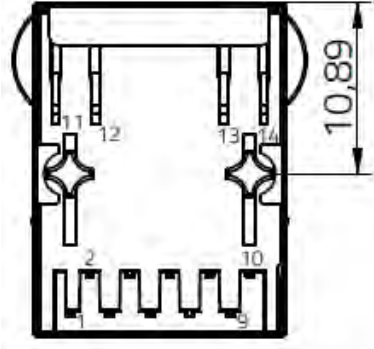
BEFORE CORRECTION

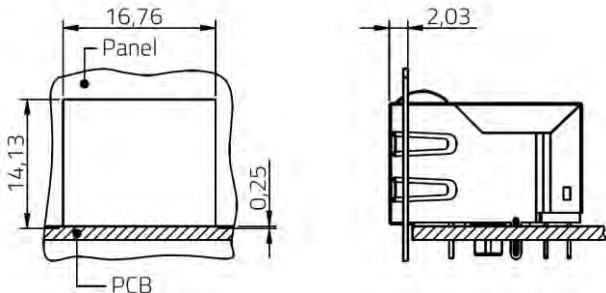
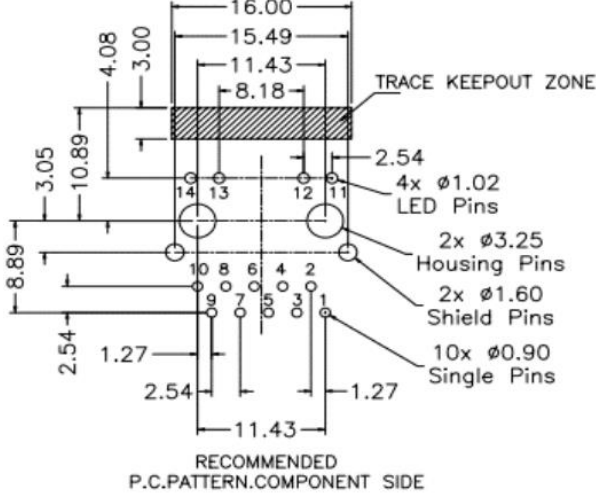
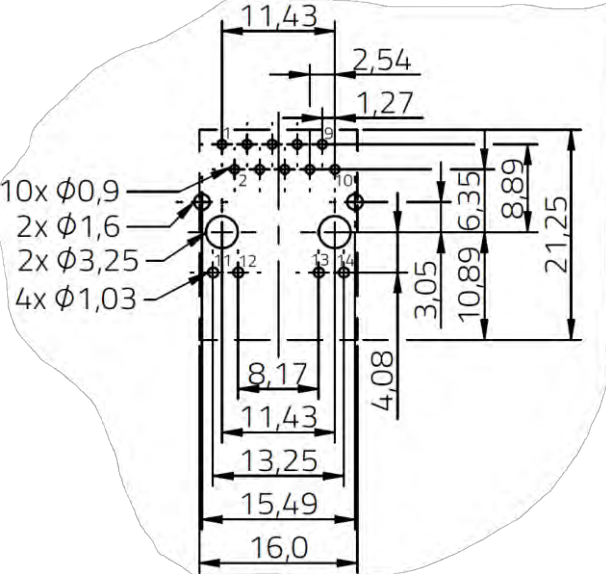
AFTER CORRECTION



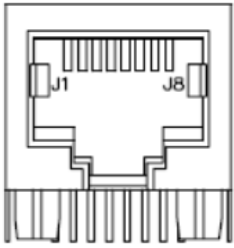
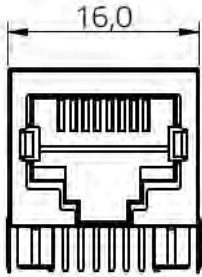
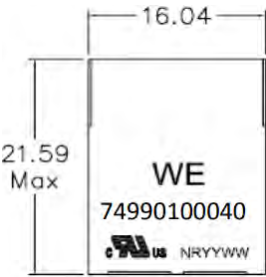
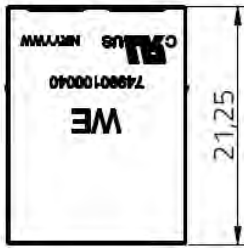
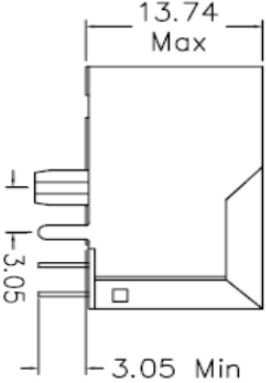
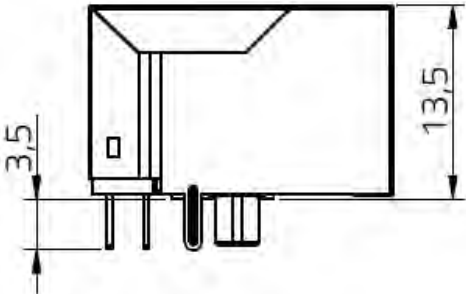
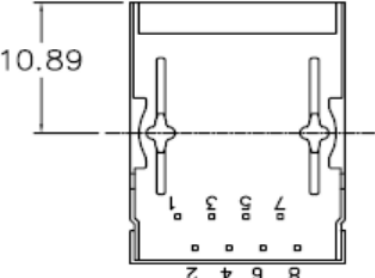
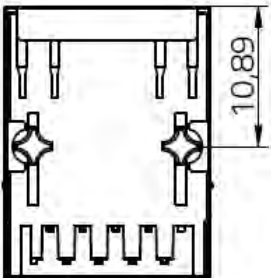
	
	
<p>Return Loss: 1-30 MHz 40 MHz 50 MHz 60-100 MHz</p>	<p>Return Loss: 1-30 MHz 30-60 MHz 60-80 MHz 80-100 MHz</p>
<p>Common Mode Rejection: 1-100 MHz</p>	<p>Common Mode Rejection: 1-30 MHz 30-60 MHz 60-100 MHz</p>
<p>Crosstalk: 1-100 MHz</p>	<p>Crosstalk: 1-60 MHz 60-100 MHz</p>

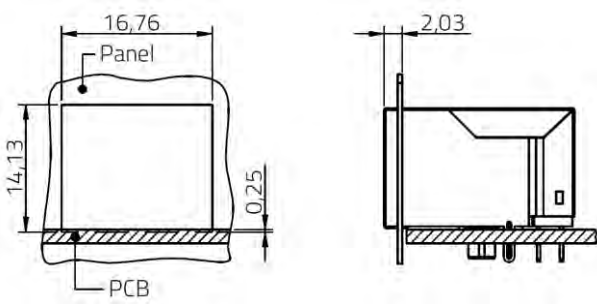
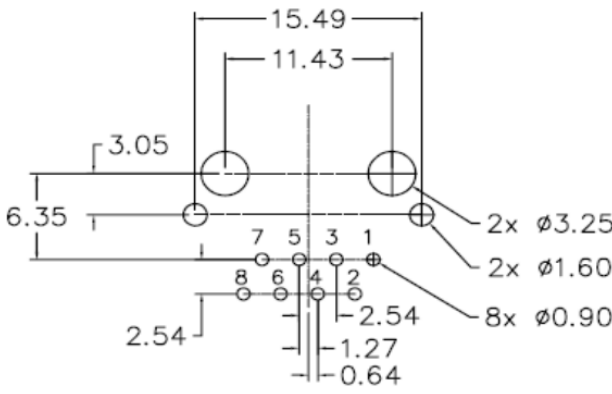
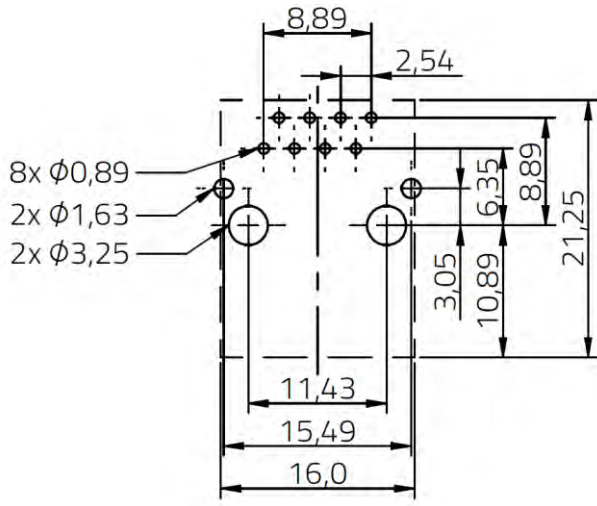
<p>No panel cutout</p>	
	
<p>74992111211:</p>	
<p>BEFORE CORRECTION</p>	<p>AFTER CORRECTION</p>
<p>No front view</p>	

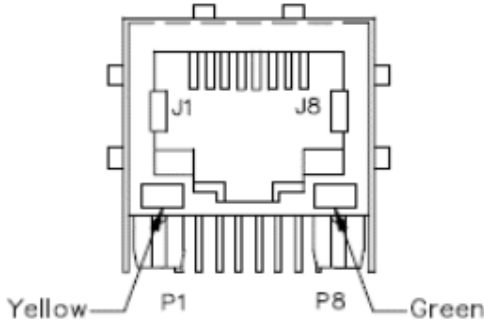
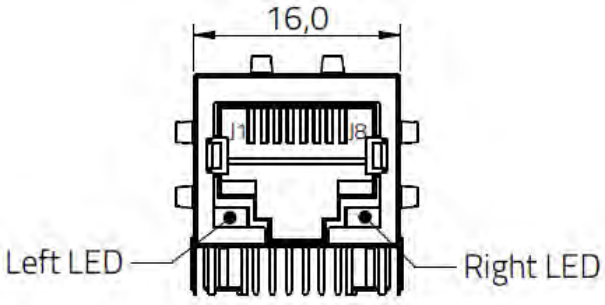
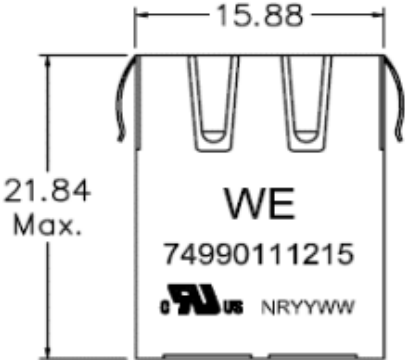
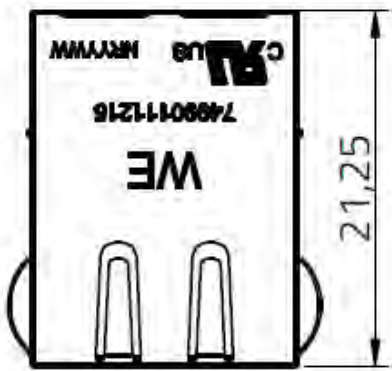
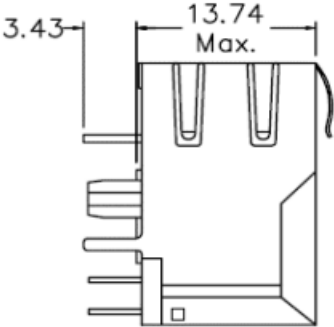
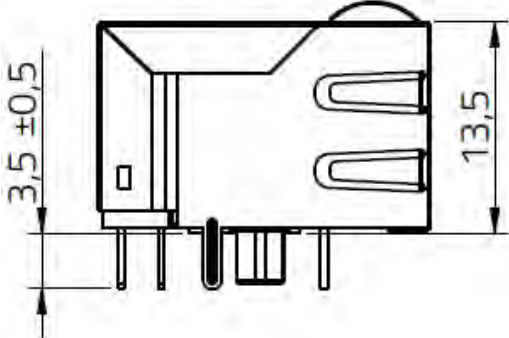
	
	
	
<p>Return Loss: 1-10 MHz 10-30 MHz 30-60 MHz 60-80 MHz</p>	<p>Return Loss: 1-30 MHz 30-60 MHz 60-80 MHz 80-100 MHz</p>
<p>Common Mode Rejection: 1-100 MHz</p>	<p>Common Mode Rejection: 1-30 MHz</p>

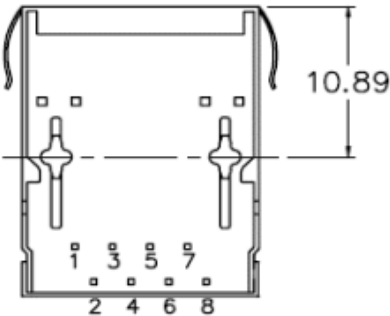
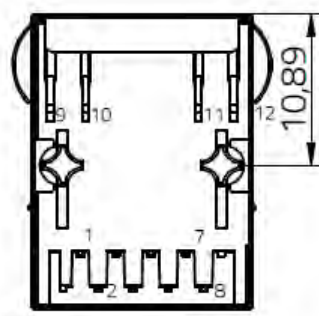
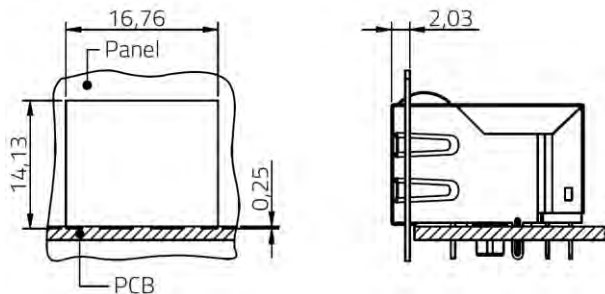
	<p>30-60 MHz 60-100 MHz</p>
<p>Crosstalk: 1-100 MHz</p>	<p>Crosstalk: 1-60 MHz 60-100 MHz</p>
<p>No panel cutout</p>	
 <p>RECOMMENDED P.C.PATTERN.COMPONENT SIDE</p>	

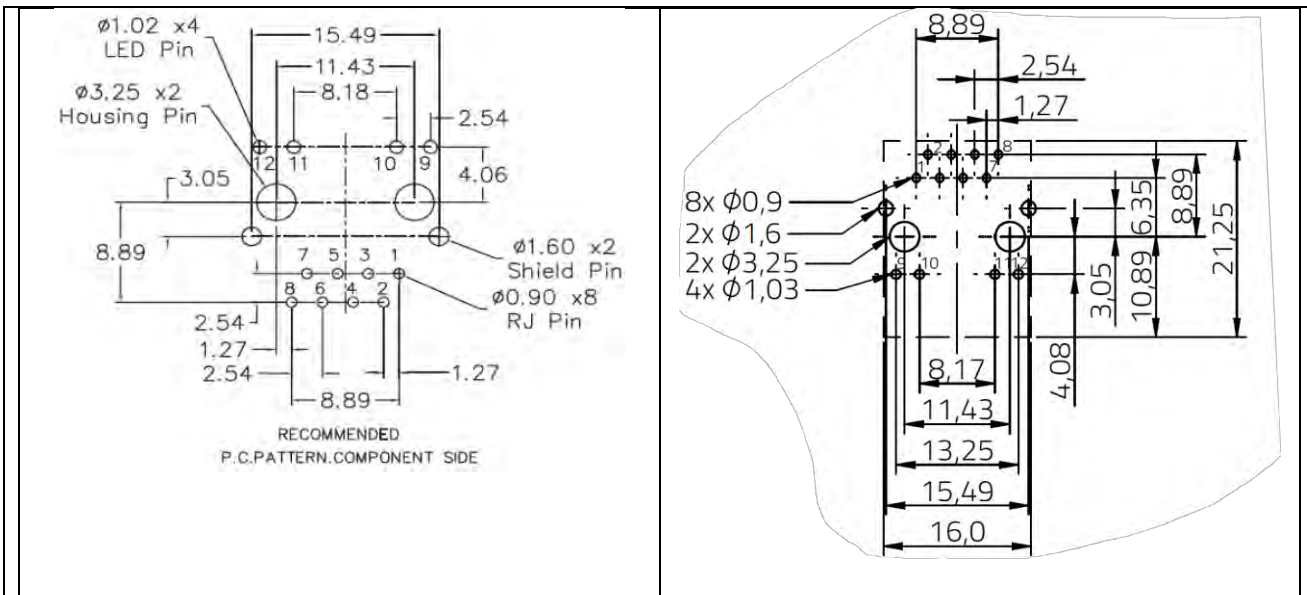
74990100040:

BEFORE CORRECTION	AFTER CORRECTION
	
	
	
	

<p>Return Loss: 1-30 MHz 30-45 MHz 45-60 MHz 60-80 MHz</p>	<p>Return Loss: 1-30 MHz 30-60 MHz 60-80 MHz 80-100 MHz</p>
<p>Common Mode Rejection: 1-100 MHz</p>	<p>Common Mode Rejection: 1-30 MHz 30-60 MHz 60-100 MHz</p>
<p>Crosstalk: 1-100 MHz</p>	<p>Crosstalk: 1-60 MHz 60-100 MHz</p>
<p>No panel cutout</p>	
 <p>RECOMMENDED P.C.PATTERN.COMPONENT SIDE</p>	

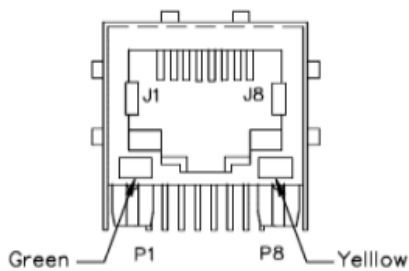
74990111215: BEFORE CORRECTION	AFTER CORRECTION
 <p>Yellow P1 P8 Green</p>	 <p>16,0 Left LED Right LED</p>
 <p>15.88 21.84 Max. WE 74990111215 NRYYYW</p>	 <p>21,25 WE 74990111215 NRYYYW</p>
 <p>3.43 13.74 Max.</p>	 <p>3,5 ±0,5 13,5</p>

	
<p>Return Loss: 1-30 MHz 30-45 MHz 45-60 MHz 60-80 MHz</p>	<p>Return Loss: 1-30 MHz 30-60 MHz 60-80 MHz 80-100 MHz</p>
<p>Common Mode Rejection: 1-100 MHz 100-500MHz</p>	<p>Common Mode Rejection: 1-30 MHz 30-60 MHz 60-100 MHz</p>
<p>Crosstalk: 1-100 MHz</p>	<p>Crosstalk: 1-60 MHz 60-100 MHz</p>
<p>No panel cutout</p>	

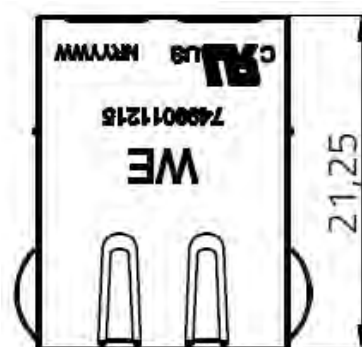
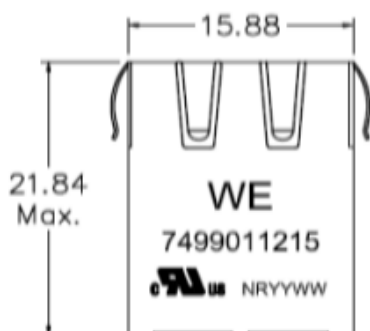
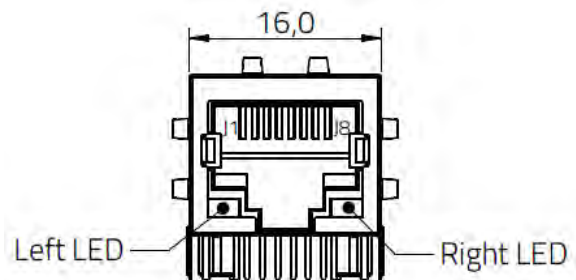


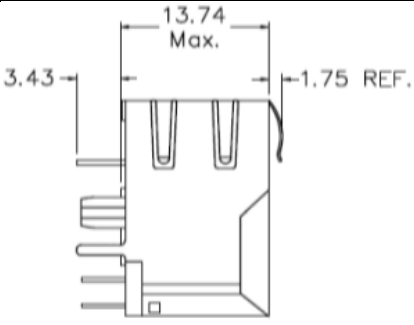
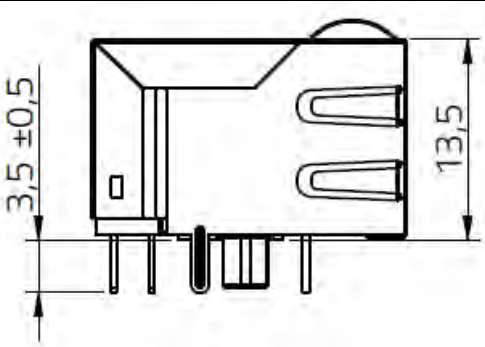
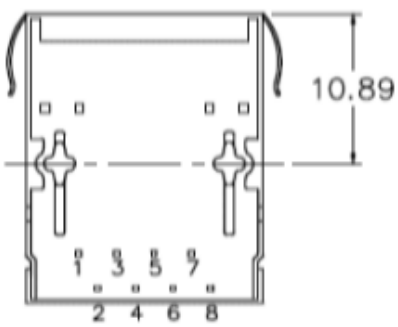
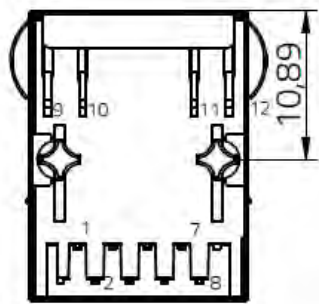
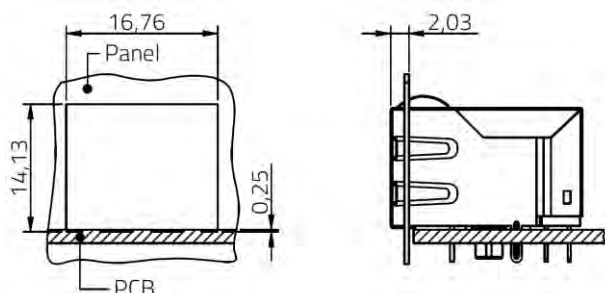
7499011215

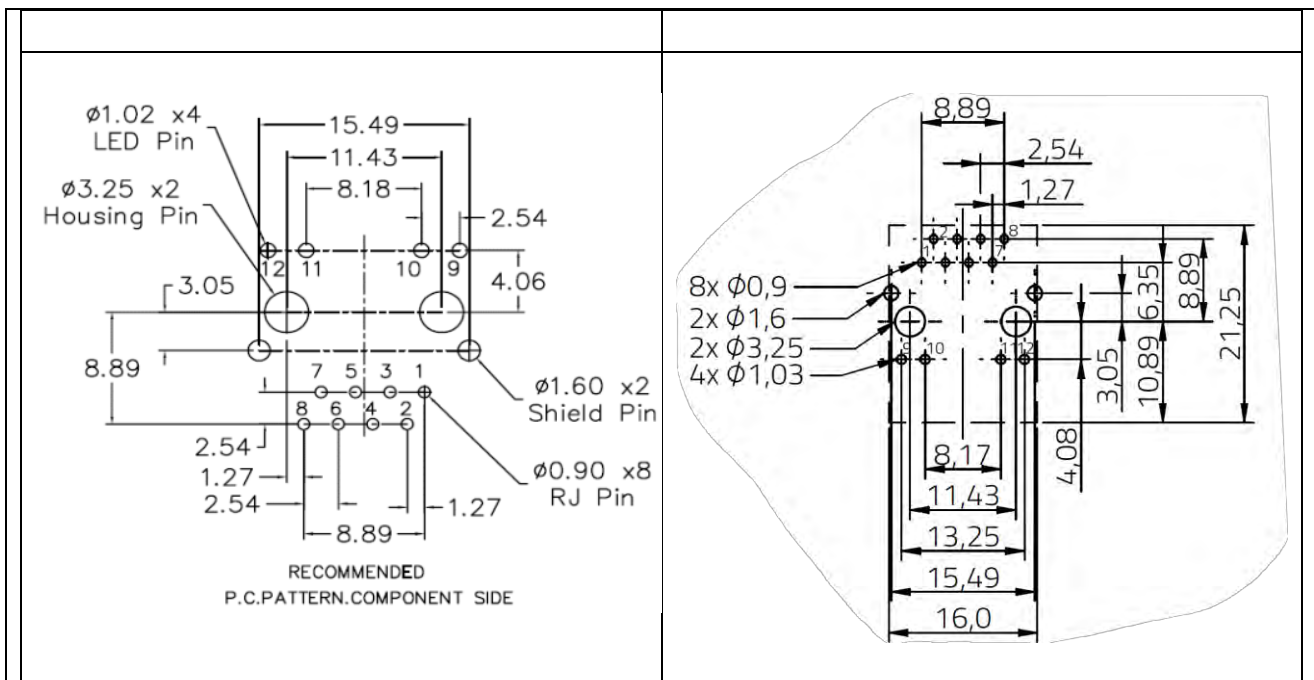
BEFORE CORRECTION



AFTER CORRECTION

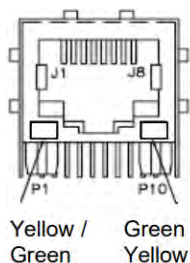


	
	
<p>Return Loss: 1-30 MHz 30-45 MHz 45-60 MHz 60-80 MHz</p>	<p>Return Loss: 1-30 MHz 30-60 MHz 60-80 MHz 80-100 MHz</p>
<p>Common Mode Rejection: 1-100 MHz</p>	<p>Common Mode Rejection: 1-30 MHz 30-60 MHz 60-100 MHz</p>
<p>Crosstalk: 1-100 MHz</p>	<p>Crosstalk: 1-60 MHz 60-100 MHz</p>
<p>No panel cutout</p>	

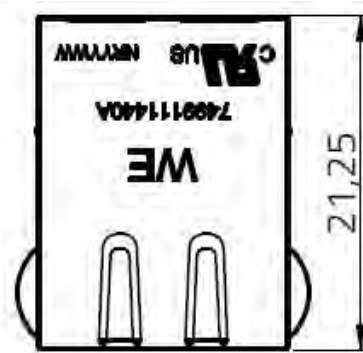
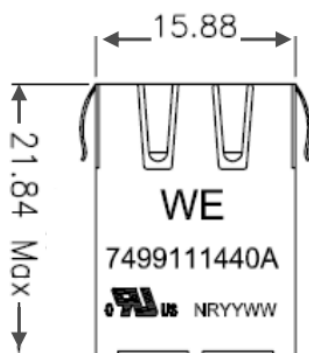
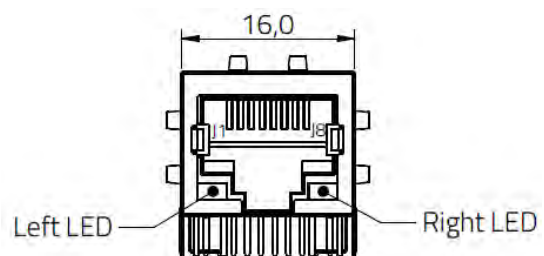


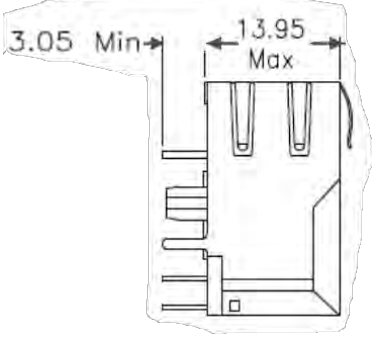
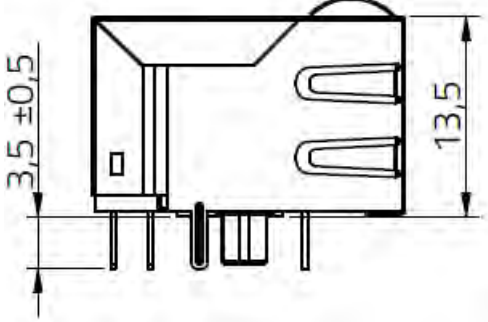
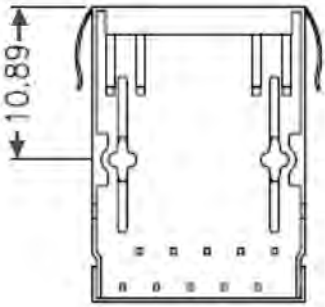
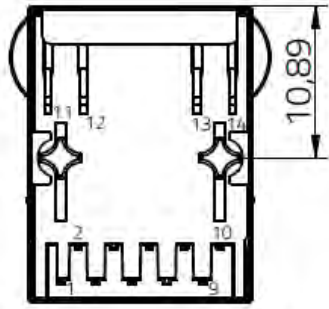
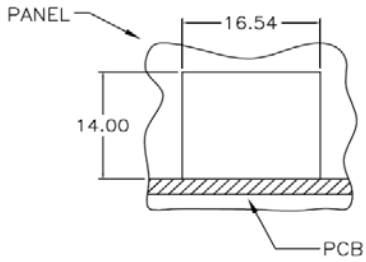
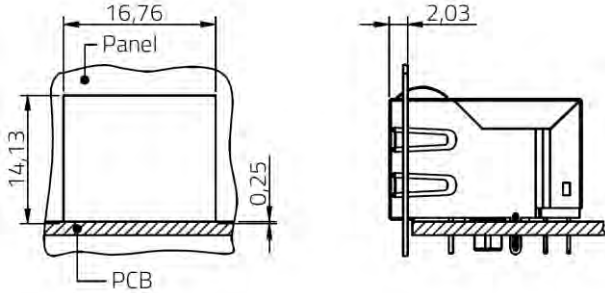
7499111440A

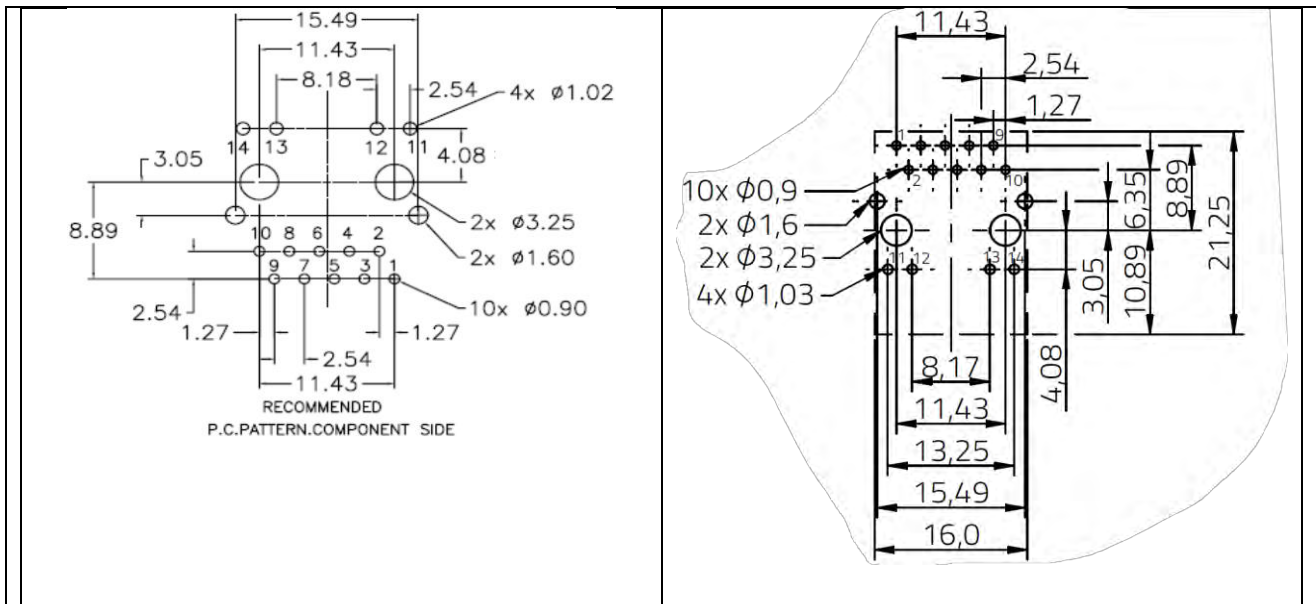
BEFORE CORRECTION



AFTER CORRECTION



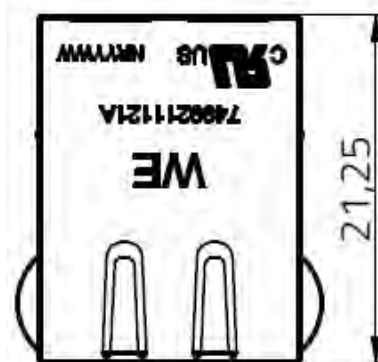
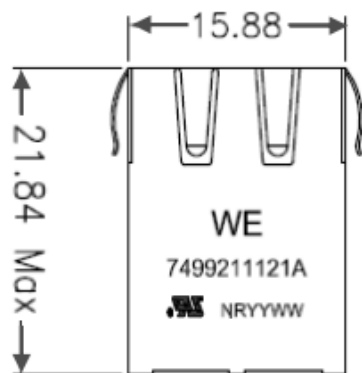
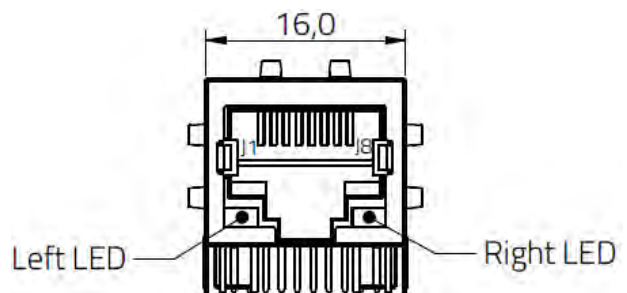
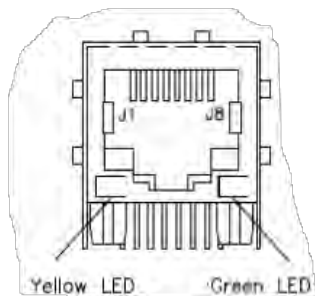
	
	
<p>Common Mode Rejection: 1-100 MHz</p>	<p>Common Mode Rejection: 1-30 MHz 30-60 MHz 60-100 MHz</p>
<p>Crosstalk: 1-100 MHz</p>	<p>Crosstalk: 1-60 MHz 60-100 MHz</p>
	

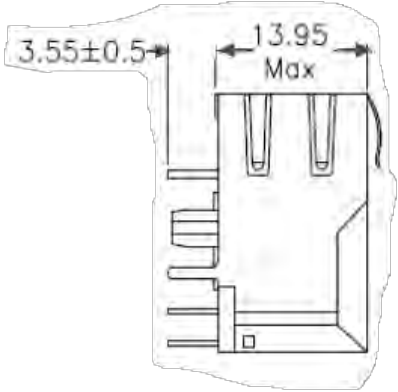
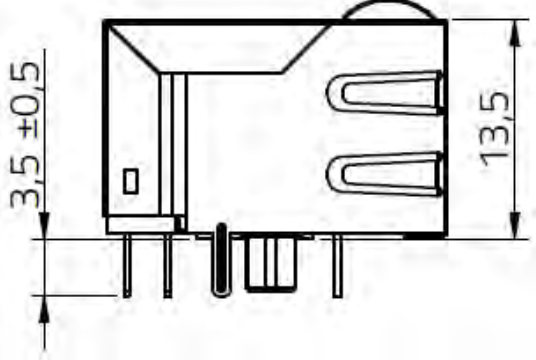
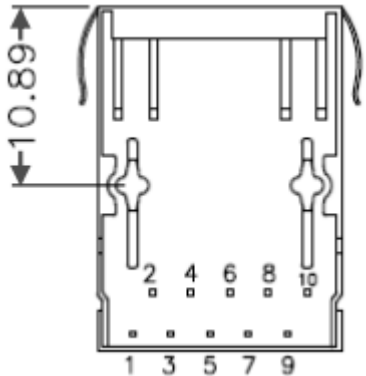
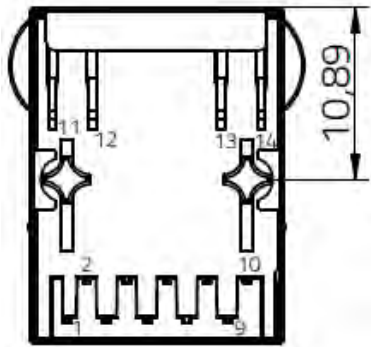


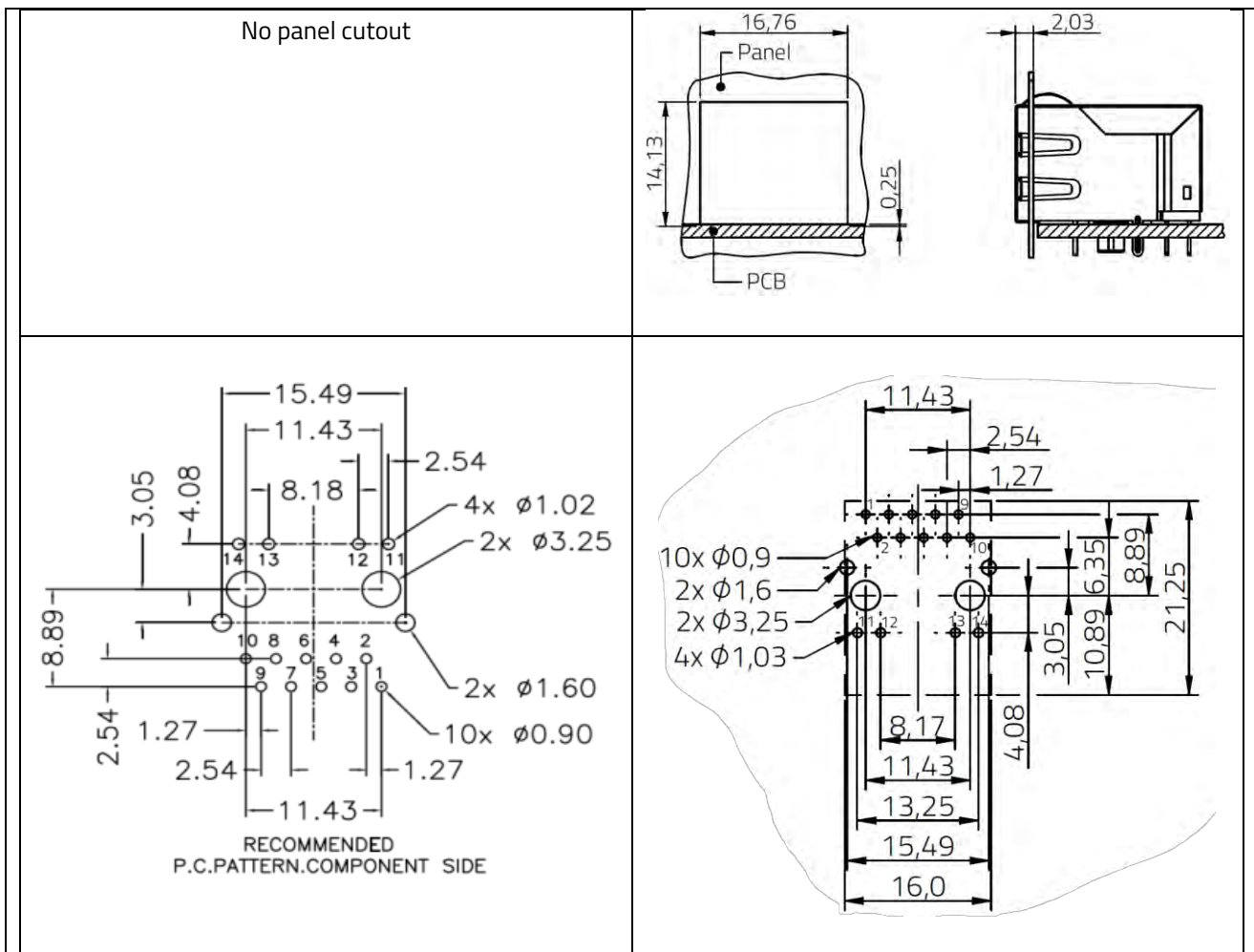
7499211121A

BEFORE CORRECTION

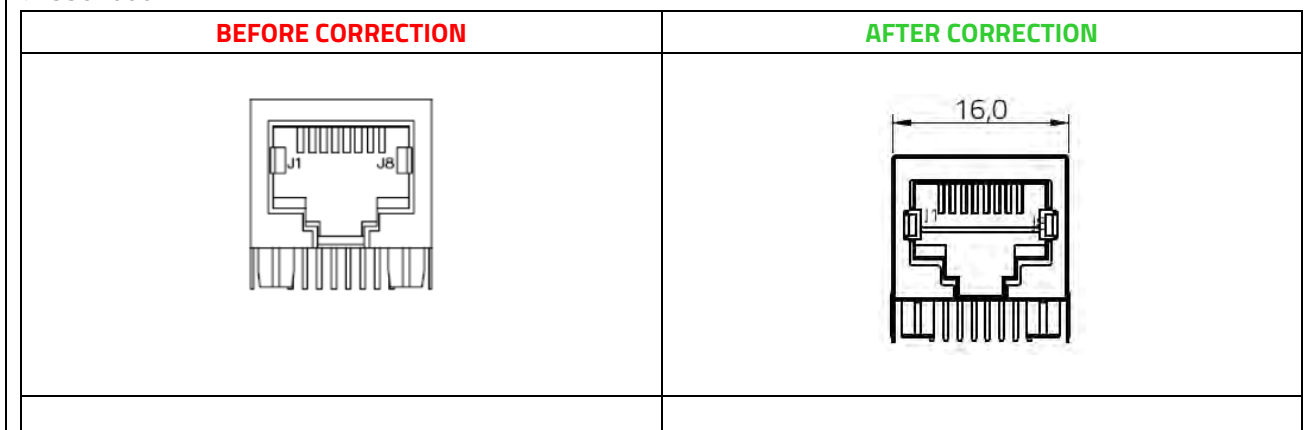
AFTER CORRECTION

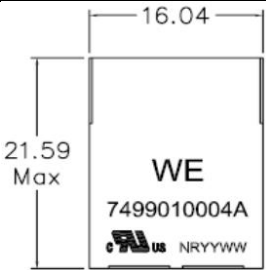

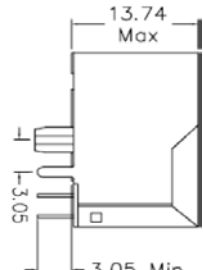
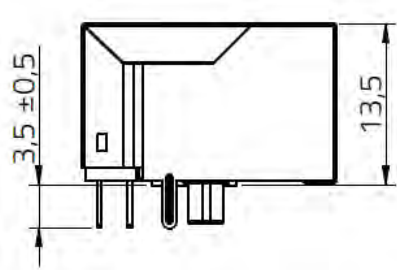
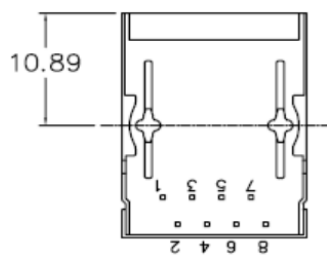
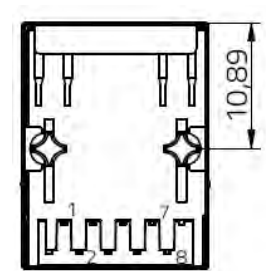


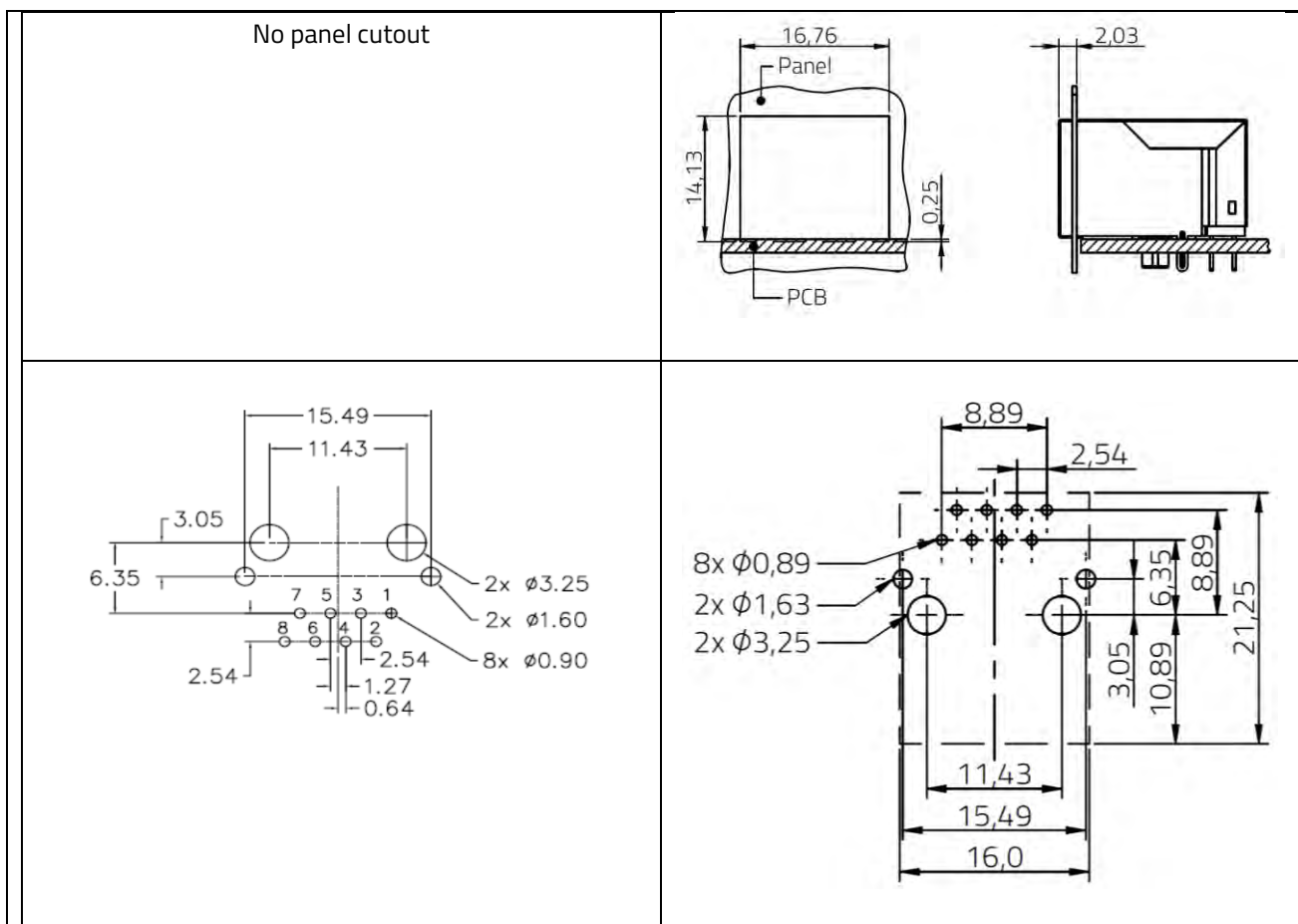
	
	
<p>Return Loss: 1-10 MHz 10-30 MHz 30-60 MHz 60-80 MHz</p>	<p>Return Loss: 1-30 MHz 30-60 MHz 60-80 MHz 80-100 MHz</p>
<p>Common Mode Rejection: 1-100 MHz</p>	<p>Common Mode Rejection: 1-30 MHz 30-60 MHz 60-100 MHz</p>
<p>Crosstalk: 1-100 MHz</p>	<p>Crosstalk: 1-60 MHz 60-100 MHz</p>



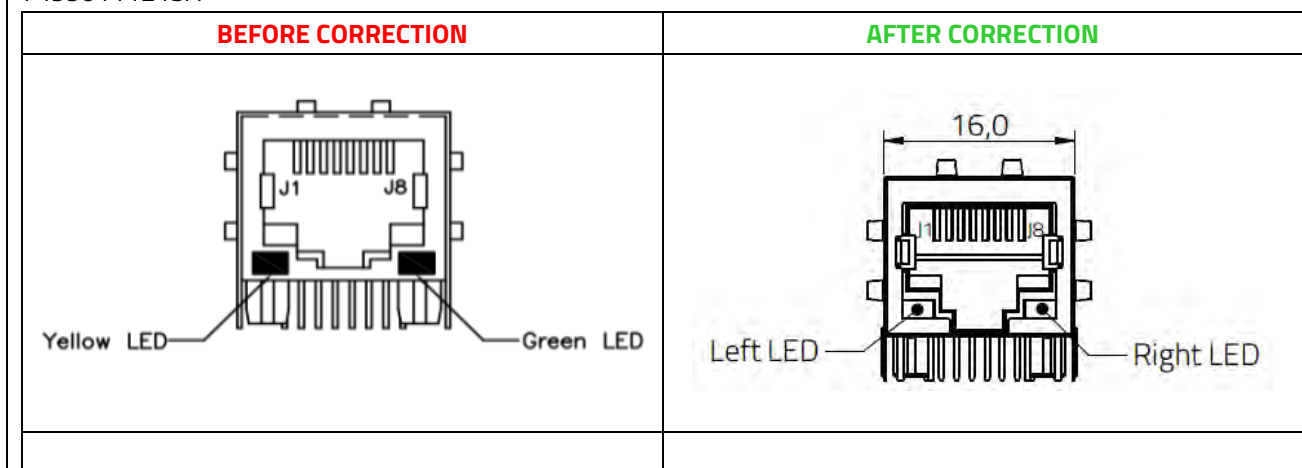
7499010004A:

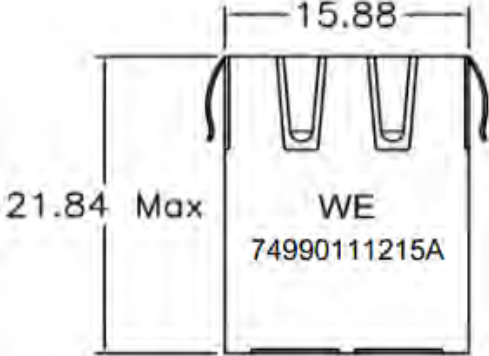
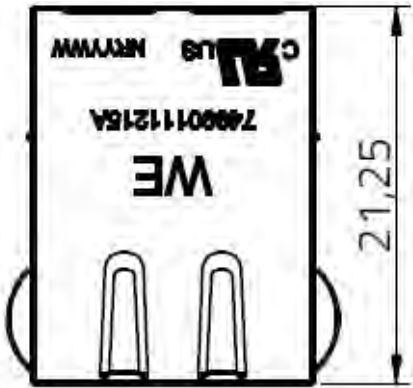
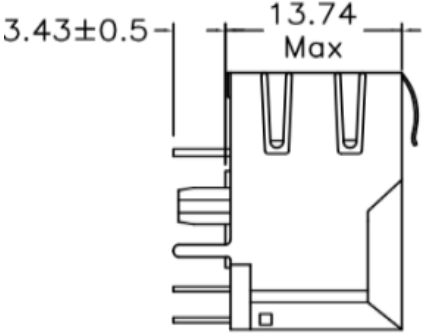
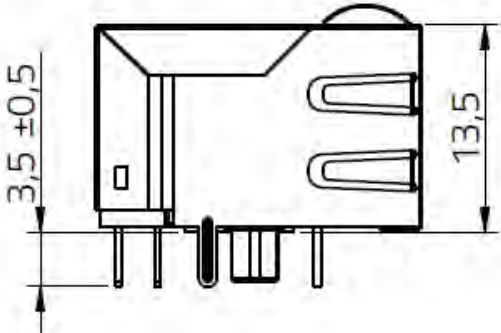
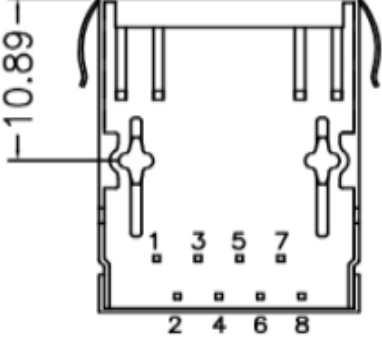
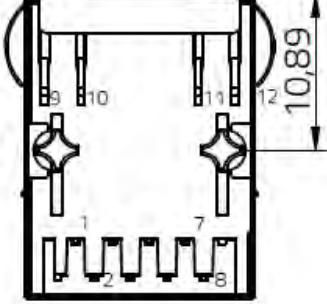


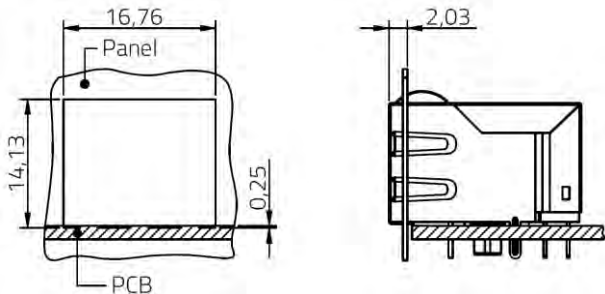
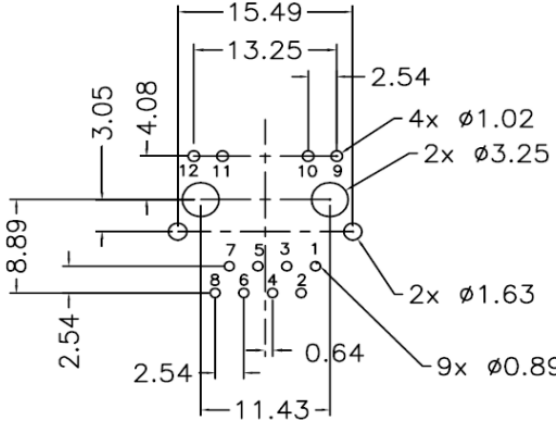
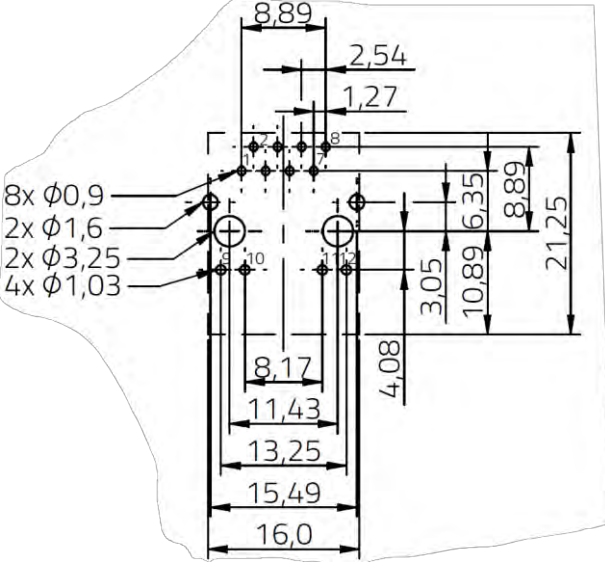
	
	
	
<p>Return Loss: 1-30 MHz 30-45 MHz 45-60 MHz 60-80 MHz</p>	<p>Return Loss: 1-30 MHz 30-60 MHz 60-80 MHz 80-100 MHz</p>
<p>Common Mode Rejection: 1-100 MHz</p>	<p>Common Mode Rejection: 1-30 MHz 30-60 MHz 60-100 MHz</p>
<p>Crosstalk: 1-100 MHz</p>	<p>Crosstalk: 1-60 MHz 60-100 MHz</p>

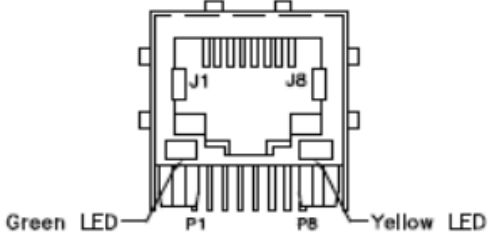
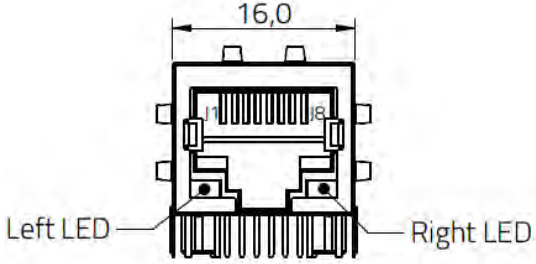
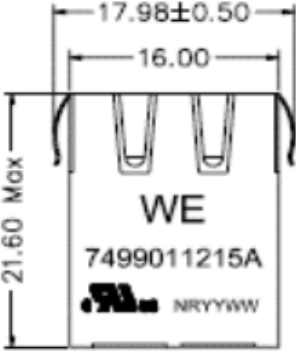
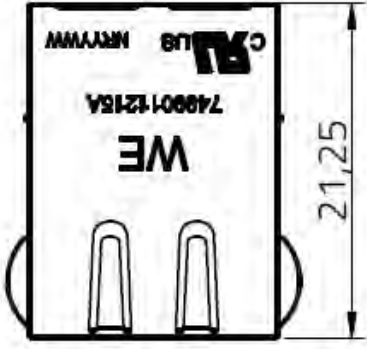
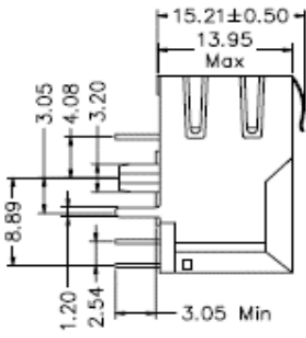
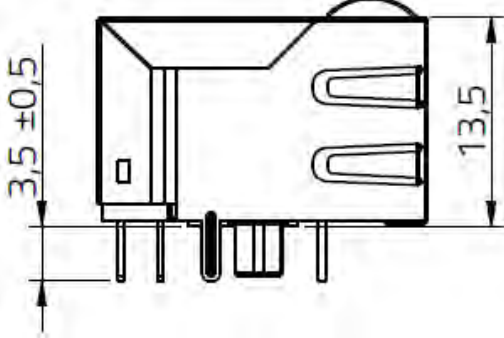


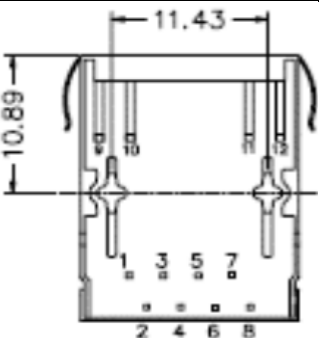
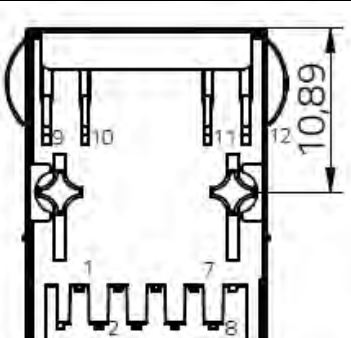
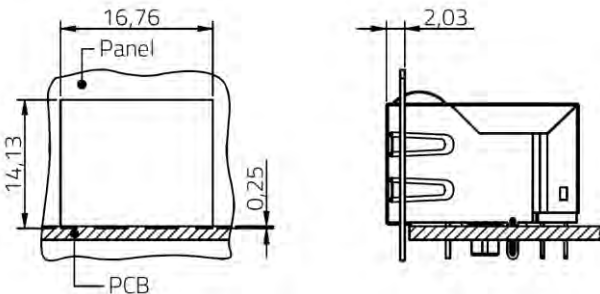
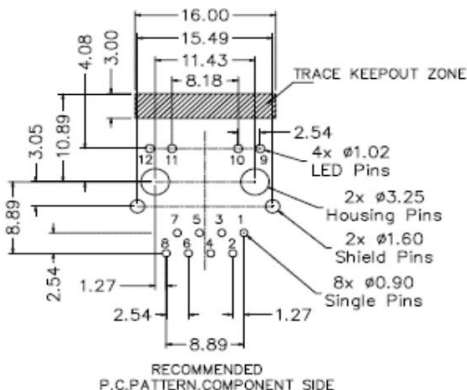
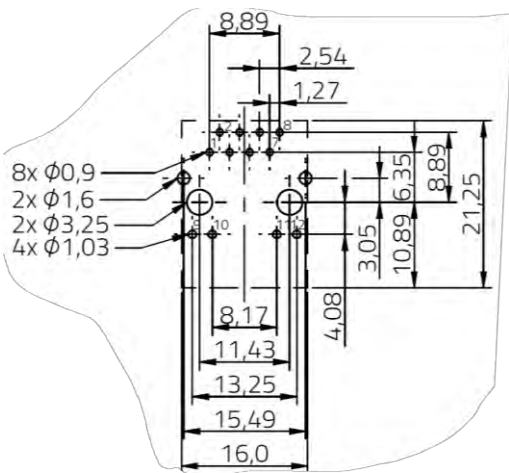
74990111215A



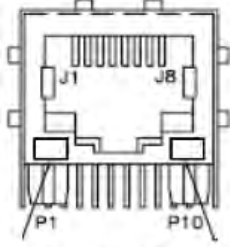
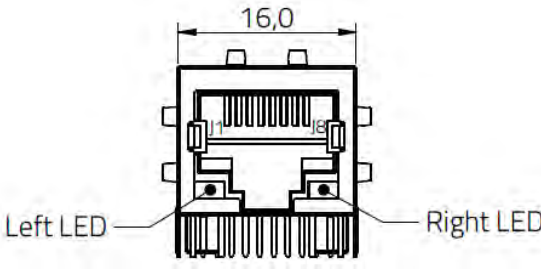
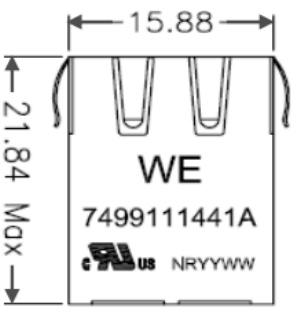
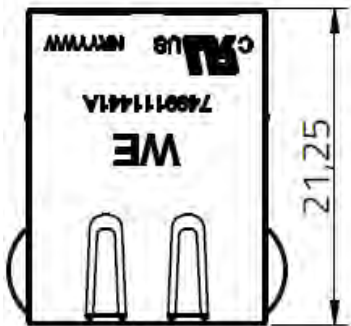
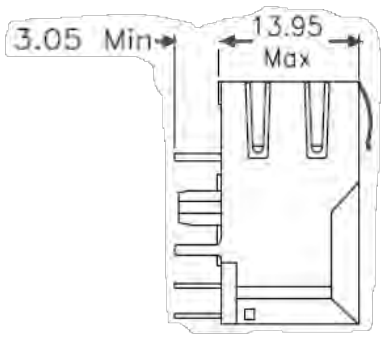
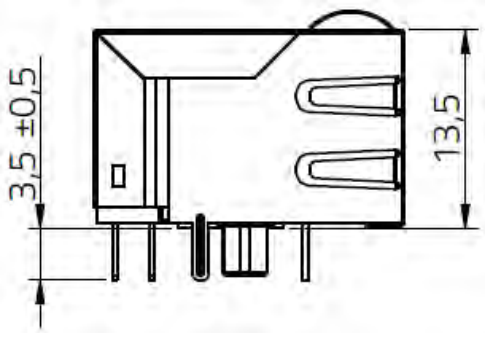
	
	
	
<p>Return Loss: 1-10 MHz 10-30 MHz 30-60 MHz 60-80 MHz</p>	<p>Return Loss: 1-30 MHz 30-60 MHz 60-80 MHz 80-100 MHz</p>
<p>Common Mode Rejection: 1-500 MHz</p>	<p>Common Mode Rejection: 1-30 MHz</p>

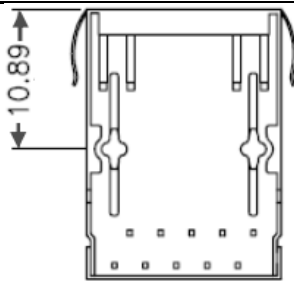
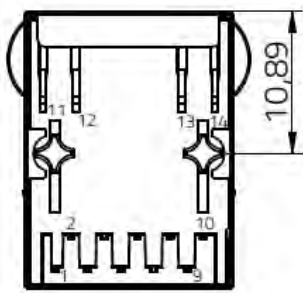
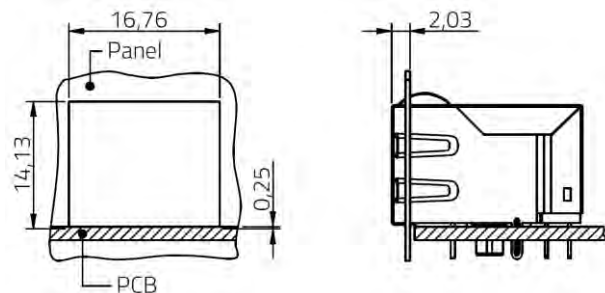
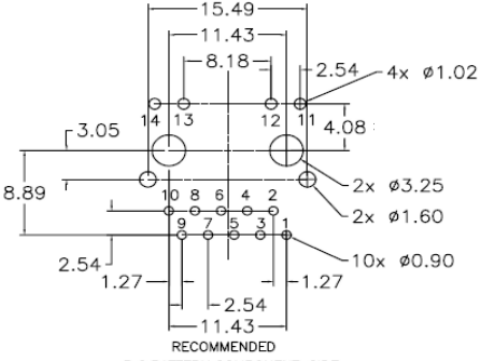
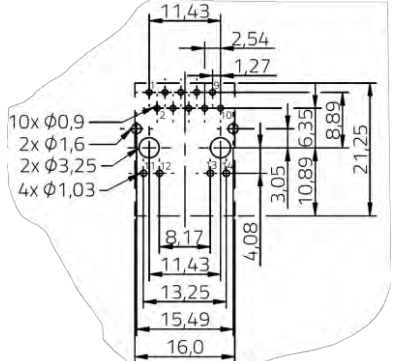
	<p>30-60 MHz 60-100 MHz</p>
<p>Crosstalk: 1-30 MHz 30-60 MHz 60-100 MHz</p>	<p>Crosstalk: 1-60 MHz 60-100 MHz</p>
<p>No panel cutout</p>	
 <p>RECOMMENDED P.C.PATTERN.COMPONENT SIDE</p>	

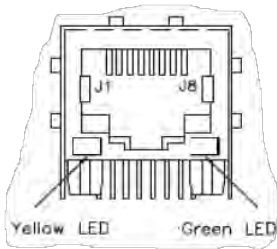
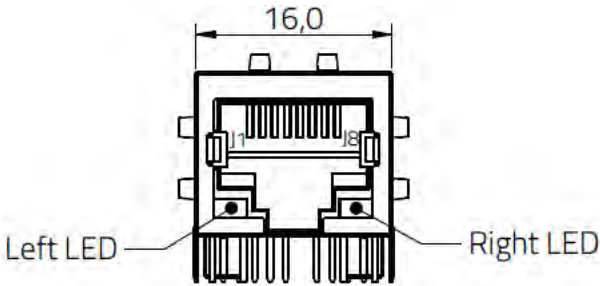
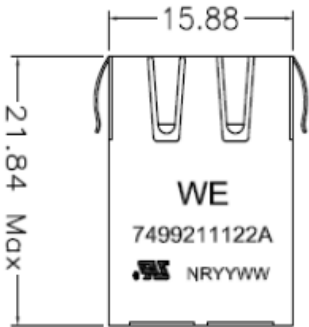
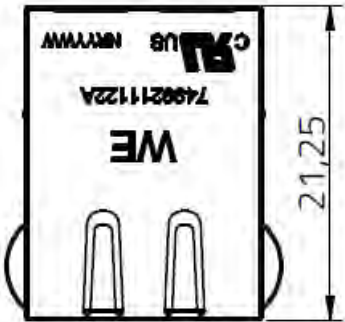
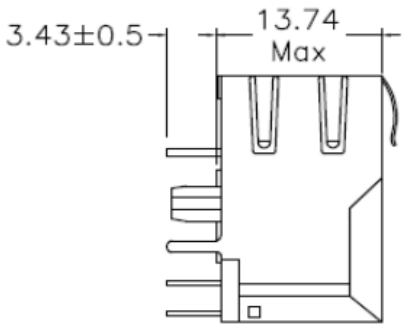
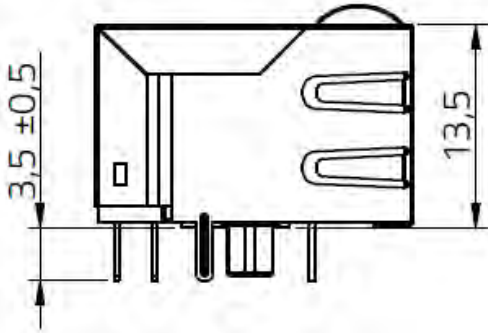
7499011215A: BEFORE CORRECTION	AFTER CORRECTION
	
	
	

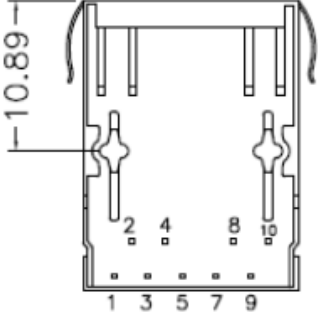
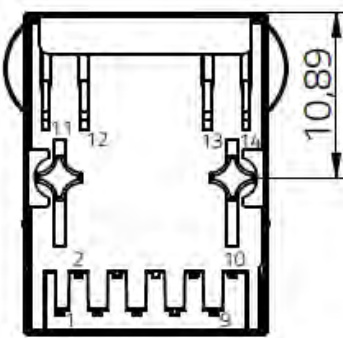
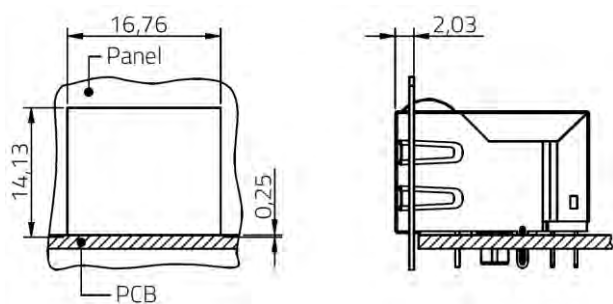
	
<p>Common Mode Rejection: 1-100 MHz</p>	<p>Common Mode Rejection: 1-30 MHz 30-60 MHz 60-100 MHz</p>
<p>Crosstalk: 1-100 MHz</p>	<p>Crosstalk: 1-60 MHz 60-100 MHz</p>
<p>No panel cutout</p>	
 <p>RECOMMENDED P.C.PATTERN.COMPONENT SIDE</p>	

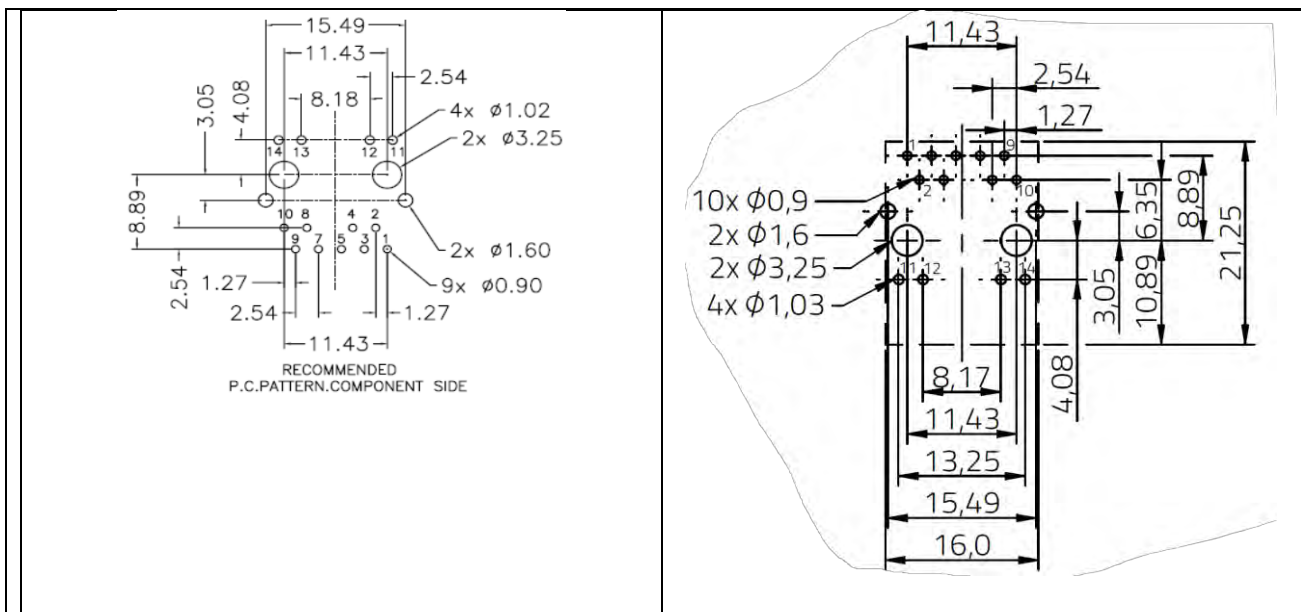
7499111441A:

BEFORE CORRECTION	AFTER CORRECTION
 <p>Yellow / Green / Green / Yellow</p>	
	
	

	
<p>Return Loss: 1-40 MHz 40-60 MHz 60-80 MHz 80-100 MHz</p>	<p>Return Loss: 1-30 MHz 30-60 MHz 60-80 MHz 80-100 MHz</p>
<p>Common Mode Rejection: 1-100 MHz</p>	<p>Common Mode Rejection: 1-30 MHz 30-60 MHz 60-100 MHz</p>
<p>Crosstalk: 1-100 MHz</p>	<p>Crosstalk: 1-60 MHz 60-100 MHz</p>
<p>No panel cutout</p>	
 <p>RECOMMENDED P.C.PATTERN.COMPONENT SIDE</p>	

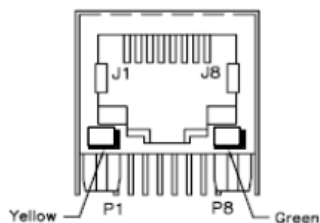
7499211122A:	
BEFORE CORRECTION	AFTER CORRECTION
	
	
	

	
<p>Return Loss: 1-10 MHz 10-30 MHz 30-60 MHz 60-80 MHz</p>	<p>Return Loss: 1-30 MHz 30-60 MHz 60-80 MHz 80-100 MHz</p>
<p>Common Mode Rejection: 1-100 MHz</p>	<p>Common Mode Rejection: 1-30 MHz 30-60 MHz 60-100 MHz</p>
<p>Crosstalk: 1-100 MHz</p>	<p>Crosstalk: 1-60 MHz 60-100 MHz</p>
<p>No panel cutout</p>	

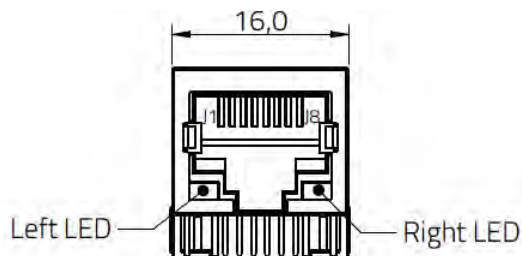


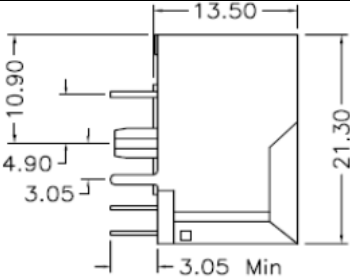
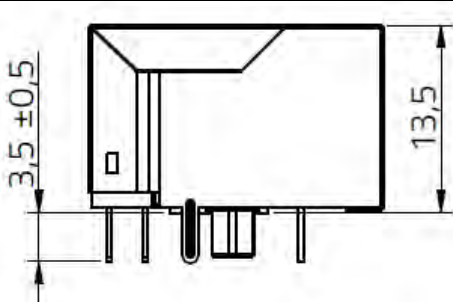
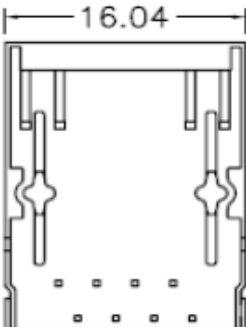
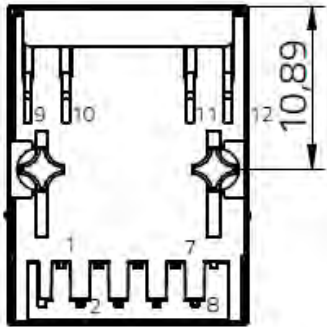
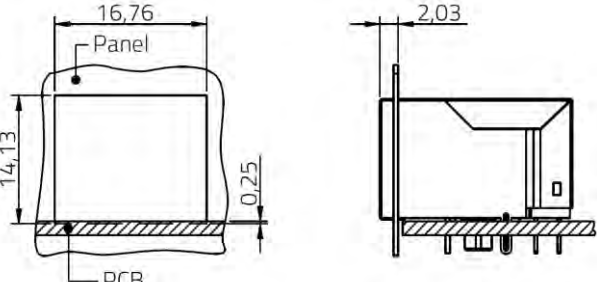
74990101211:

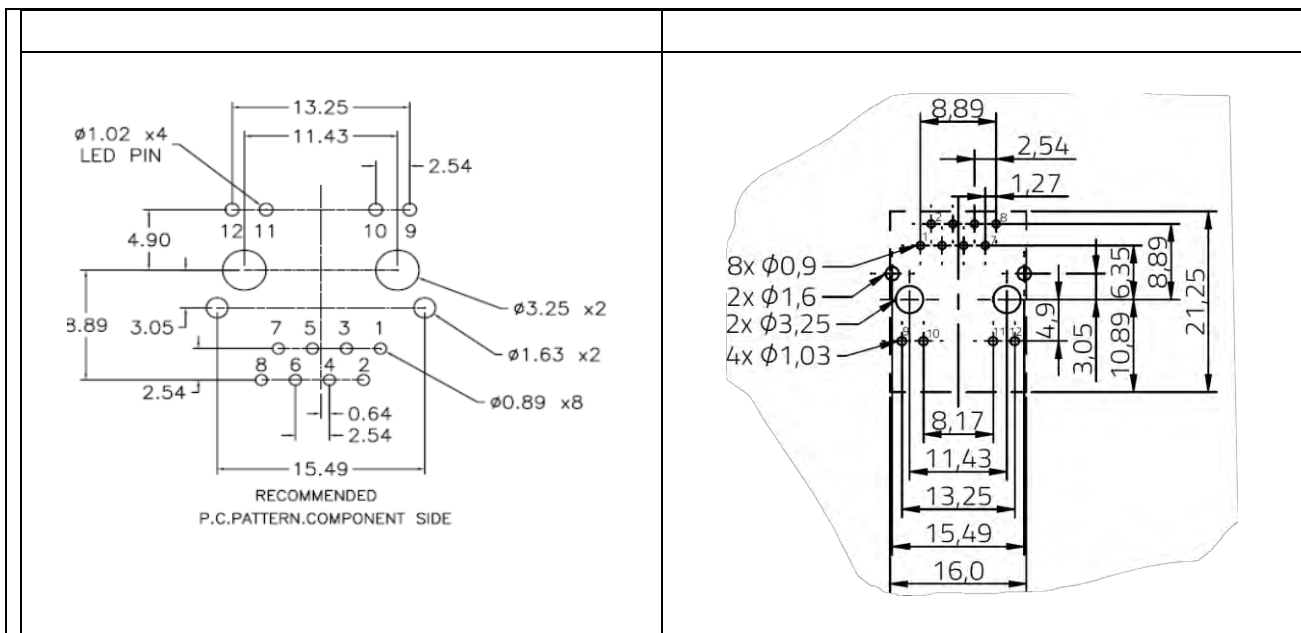
BEFORE CORRECTION



AFTER CORRECTION



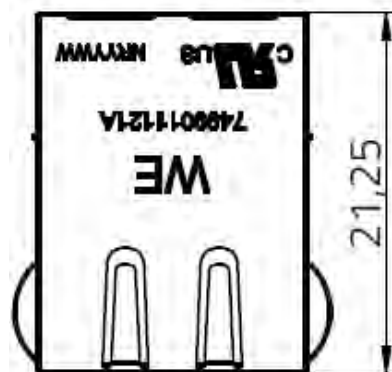
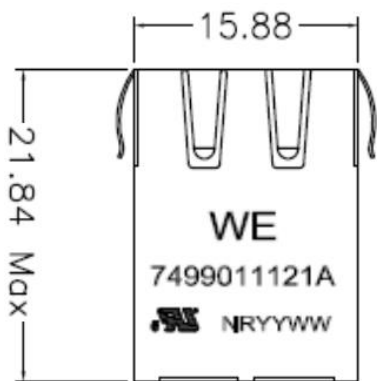
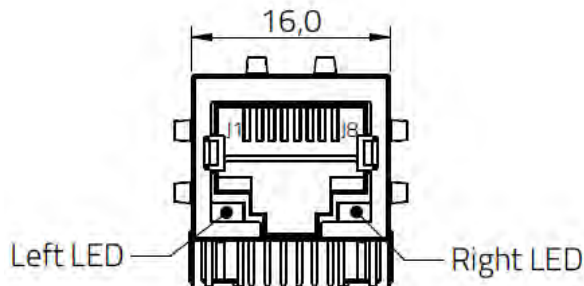
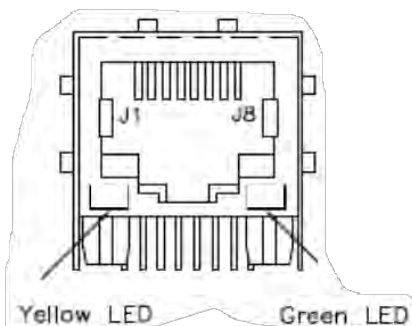
	
	
<p>Return Loss: 1-10 MHz 10-30 MHz 30-60 MHz 60-80 MHz</p>	<p>Return Loss: 1-30 MHz 30-60 MHz 60-80 MHz 80-100 MHz</p>
<p>Common Mode Rejection: 1-100 MHz</p>	<p>Common Mode Rejection: 1-30 MHz 30-60 MHz 60-100 MHz</p>
<p>Crosstalk: 1-100 MHz</p>	<p>Crosstalk: 1-60 MHz 60-100 MHz</p>
<p>No panel cutout</p>	

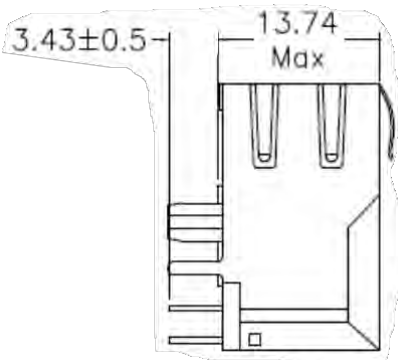
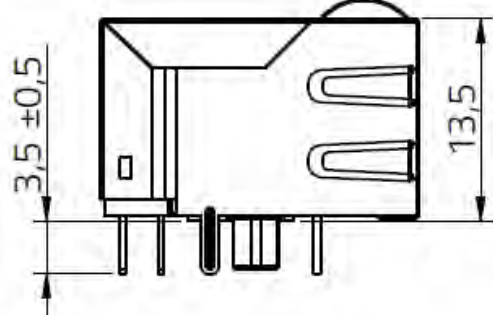
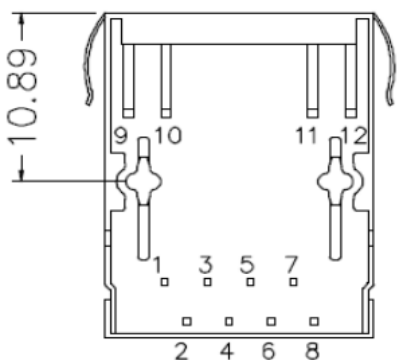
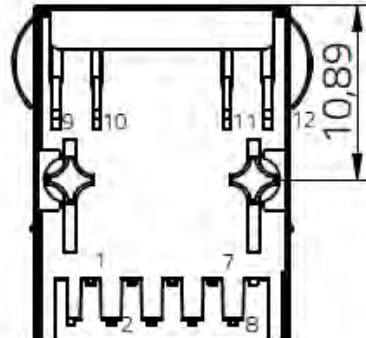


7499011121A:

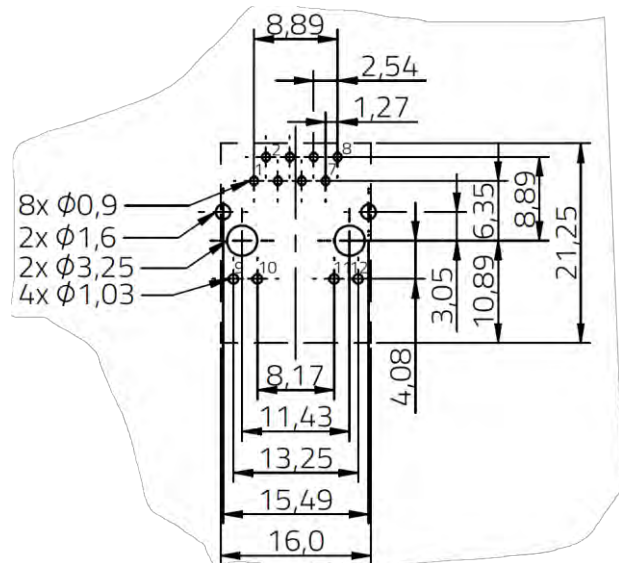
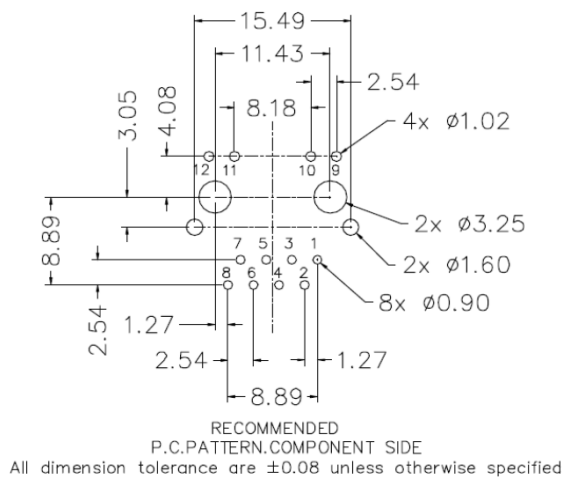
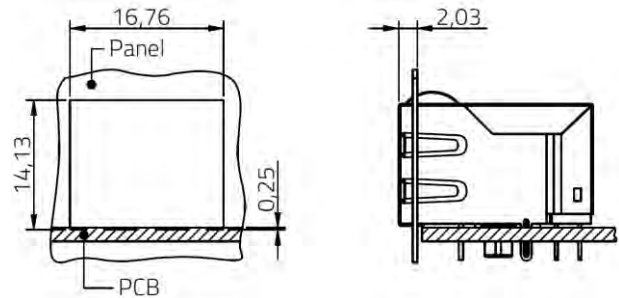
BEFORE CORRECTION

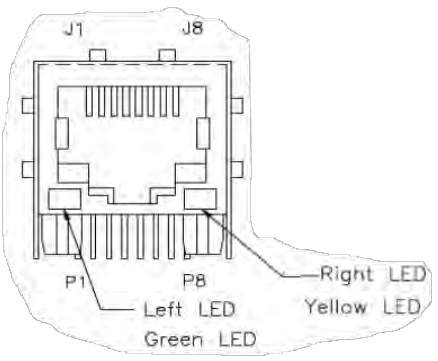
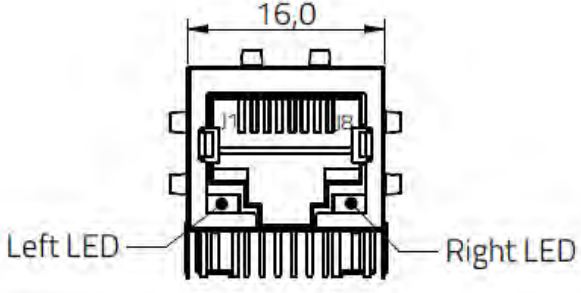

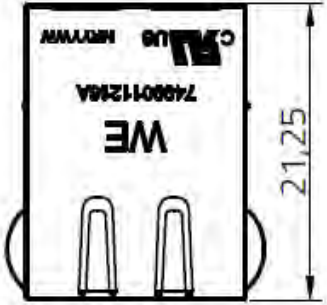
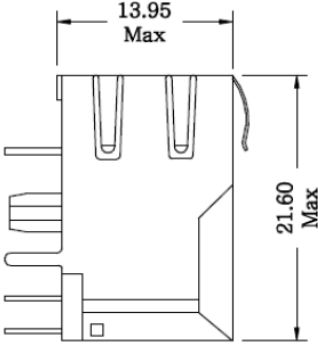
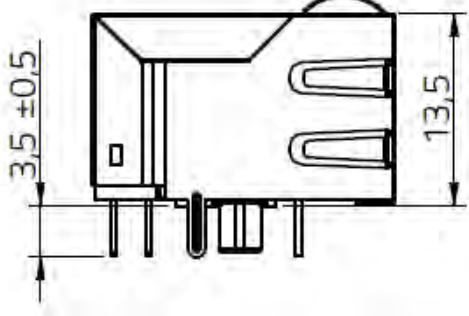
AFTER CORRECTION

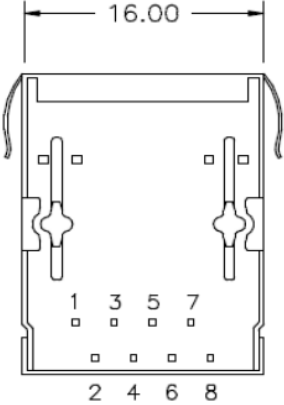
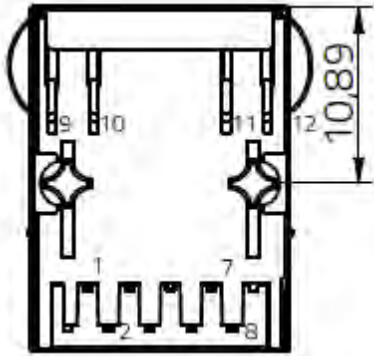
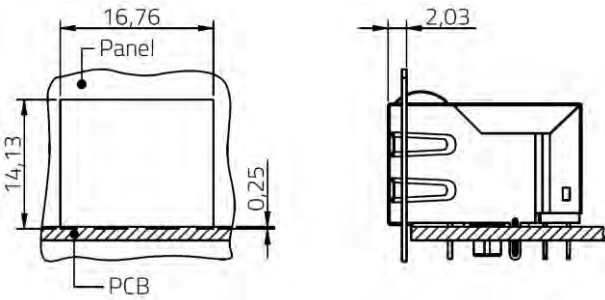


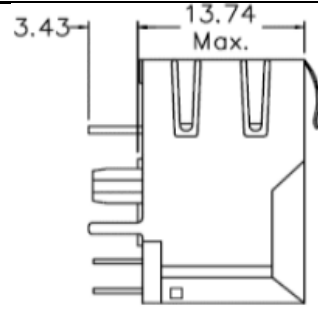
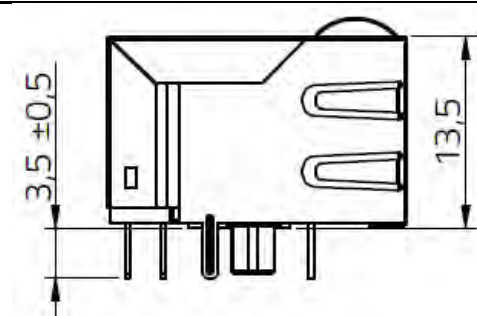
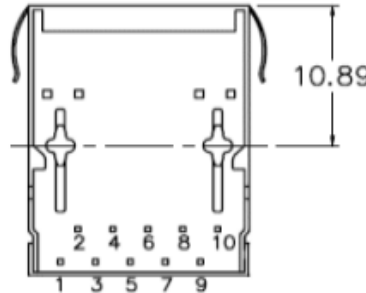
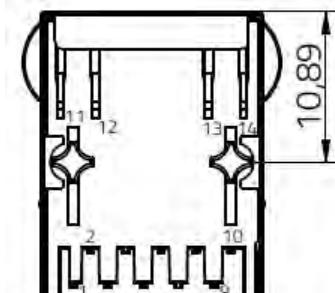
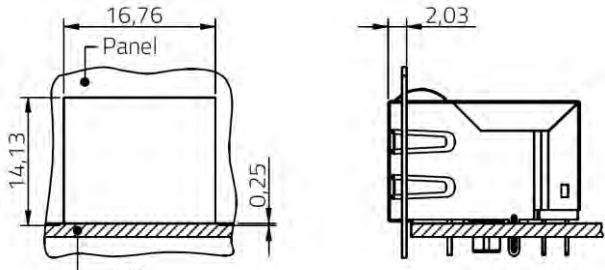
	
	
<p>Return Loss: 1-10 MHz 10-30 MHz 30-60 MHz 60-80 MHz</p>	<p>Return Loss: 1-30 MHz 30-60 MHz 60-80 MHz 80-100 MHz</p>
<p>Common Mode Rejection: 1-100 MHz</p>	<p>Common Mode Rejection: 1-30 MHz 30-60 MHz 60-100 MHz</p>
<p>Crosstalk: 1-100 MHz</p>	<p>Crosstalk: 1-60 MHz 60-100 MHz</p>

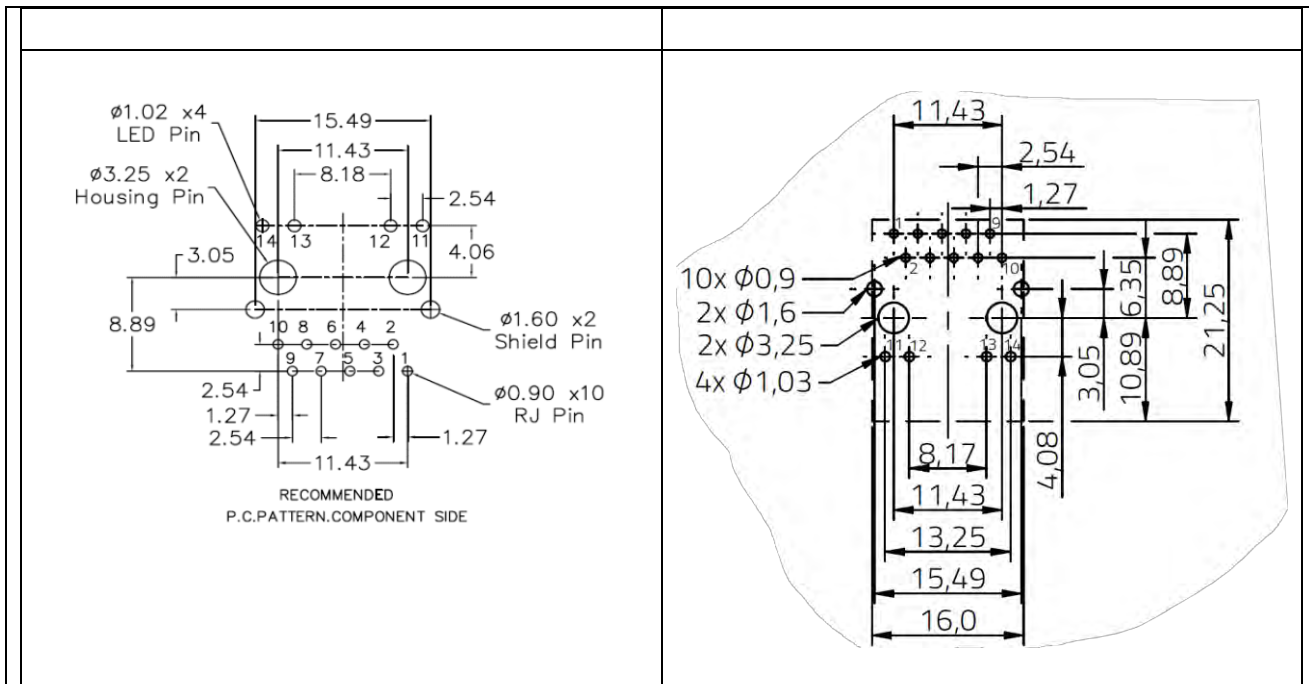
No panel cutout



7499011216A BEFORE CORRECTION	AFTER CORRECTION
	
	
	

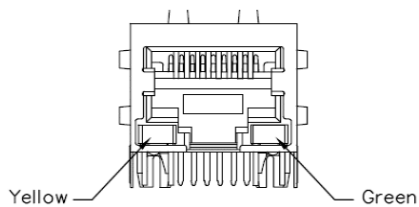
	
<p>Return Loss: 1-10 MHz 10-30 MHz 30-60 MHz 60-80 MHz</p>	<p>Return Loss: 1-30 MHz 30-60 MHz 60-80 MHz 80-100 MHz</p>
<p>Common Mode Rejection: 1-50 MHz 50-100 MHz</p>	<p>Common Mode Rejection: 1-30 MHz 30-60 MHz 60-100 MHz</p>
<p>Crosstalk: 1-30 MHz 30-60 MHz 60-100 MHz</p>	<p>Crosstalk: 1-60 MHz 60-100 MHz</p>
<p>No panel cutout</p>	

	
	
<p>Return Loss: 1-40 MHz 40-60 MHz 60-80 MHz 80-100 MHz</p>	<p>Return Loss: 1-30 MHz 30-60 MHz 60-80 MHz 80-100 MHz</p>
<p>Common Mode Rejection: 1-100 MHz</p>	<p>Common Mode Rejection: 1-30 MHz 30-60 MHz 60-100 MHz</p>
<p>Crosstalk: 1-100 MHz</p>	<p>Crosstalk: 1-60 MHz 60-100 MHz</p>
<p>No panel cutout</p>	

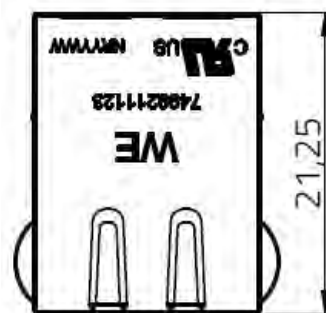
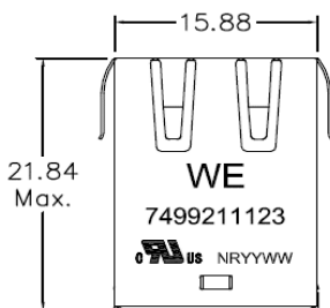
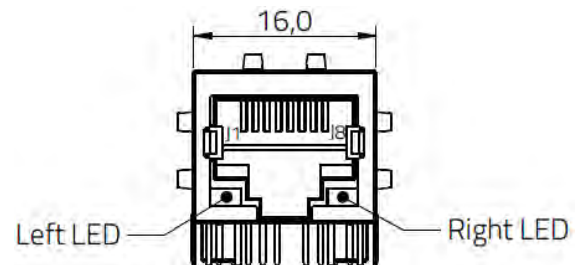


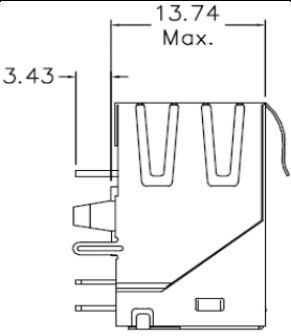
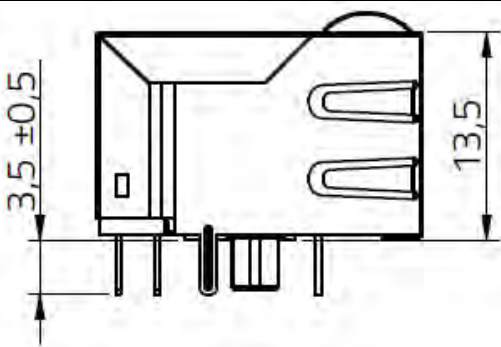
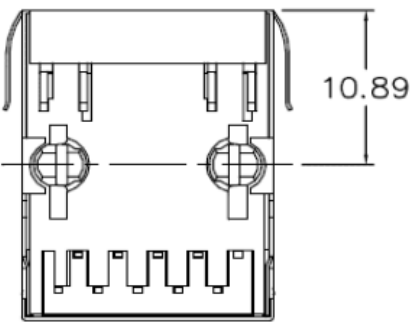
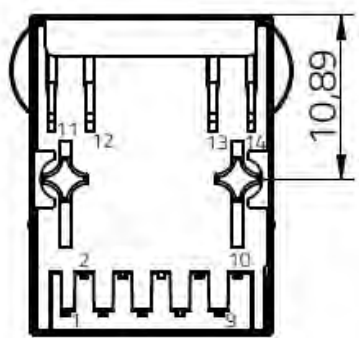
7499211123:

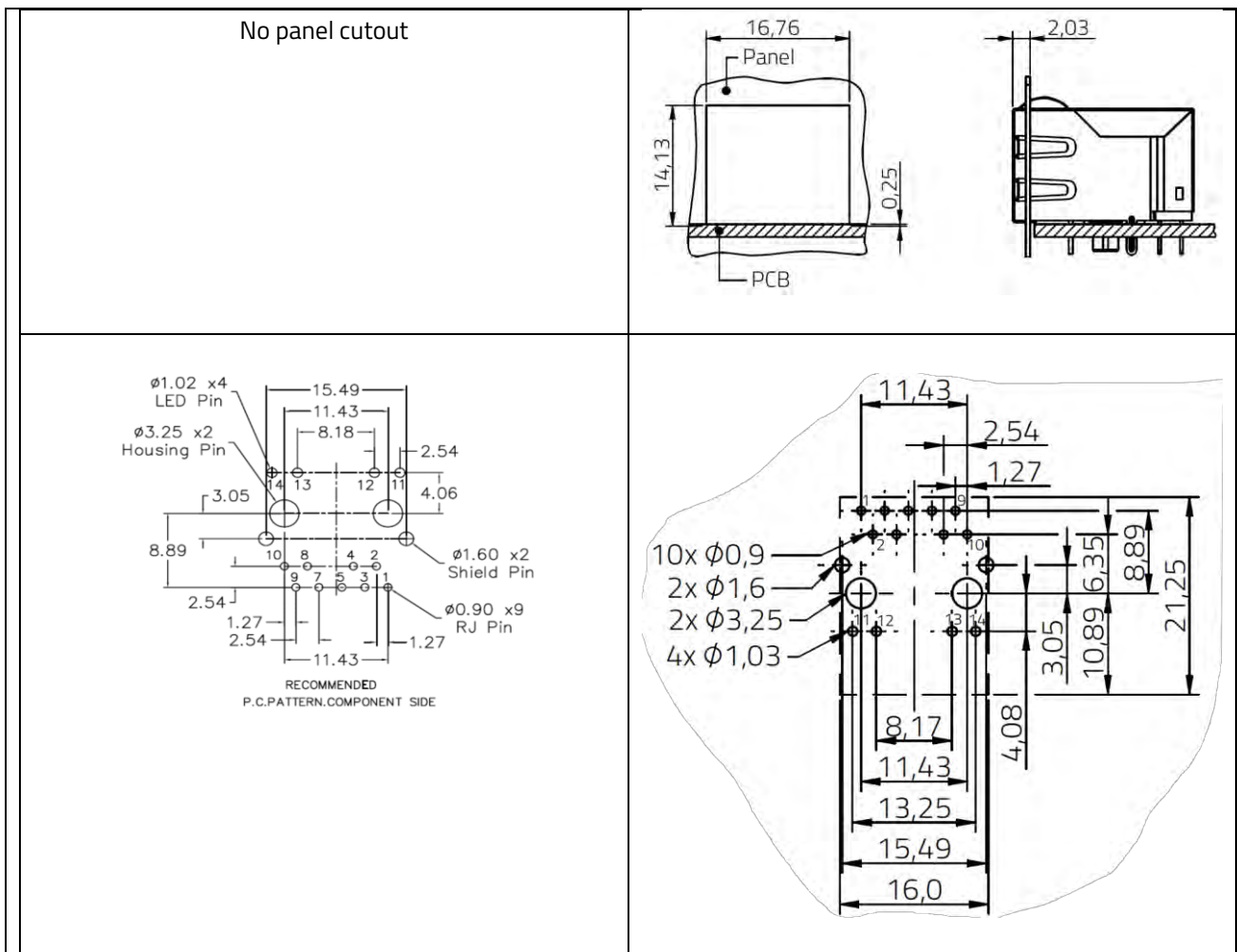
BEFORE CORRECTION



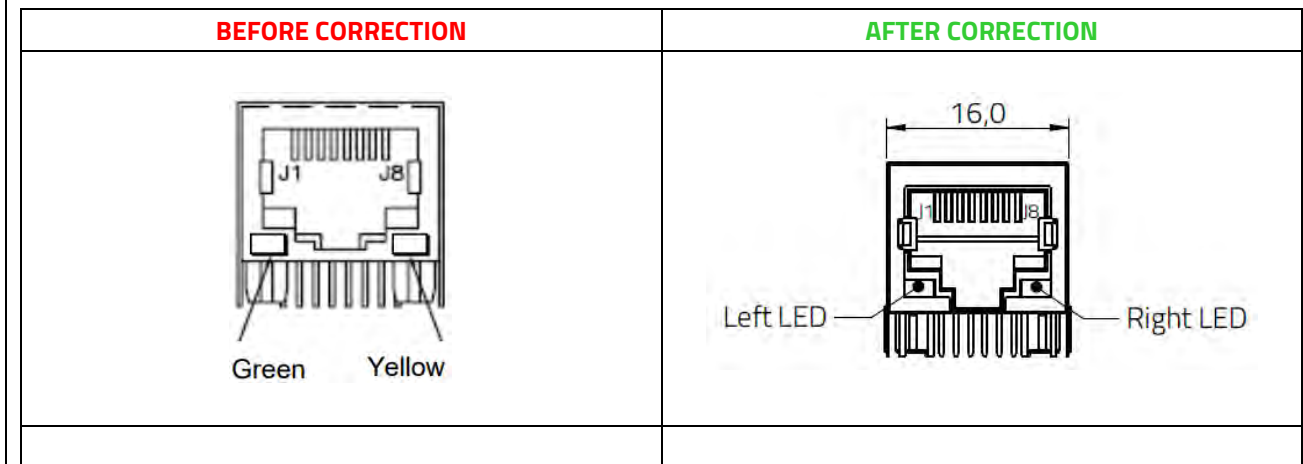
AFTER CORRECTION

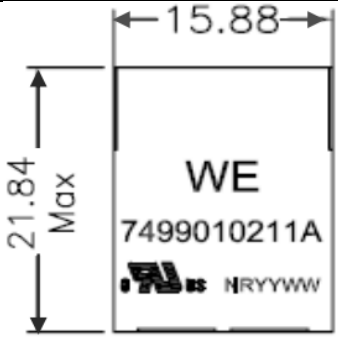
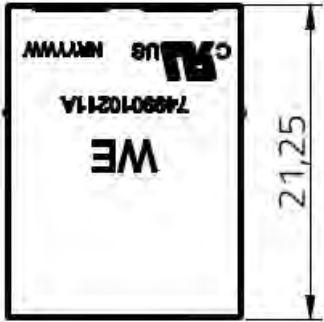
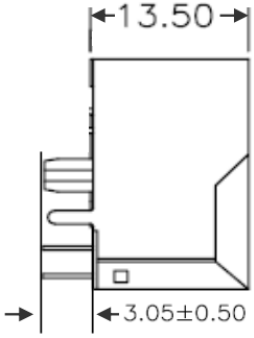
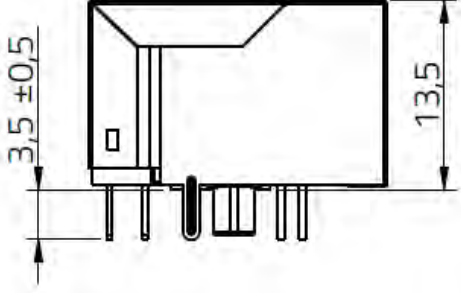
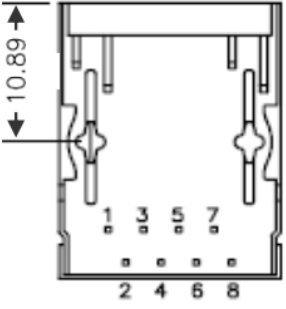
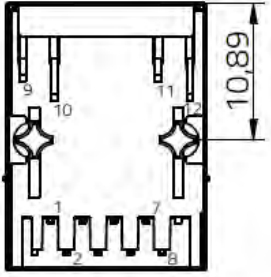


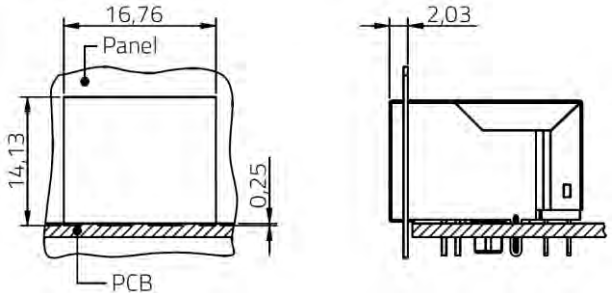
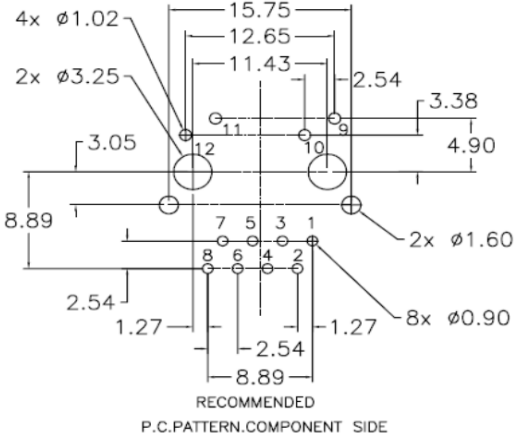
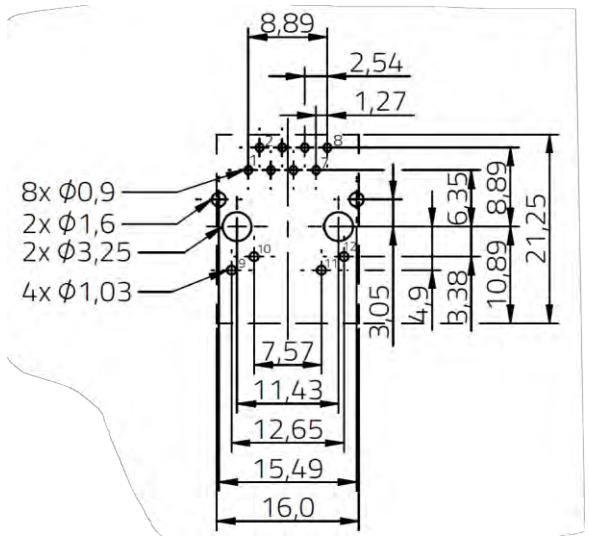
	
	
<p>Return Loss: 1-30 MHz 30-45 MHz 45-60 MHz 60-80 MHz</p>	<p>Return Loss: 1-30 MHz 30-60 MHz 60-80 MHz 80-100 MHz</p>
<p>Common Mode Rejection: 1-100 MHz 100-500 MHz</p>	<p>Common Mode Rejection: 1-30 MHz 30-60 MHz 60-100 MHz</p>
<p>Crosstalk: 1-100 MHz</p>	<p>Crosstalk: 1-60 MHz 60-100 MHz</p>



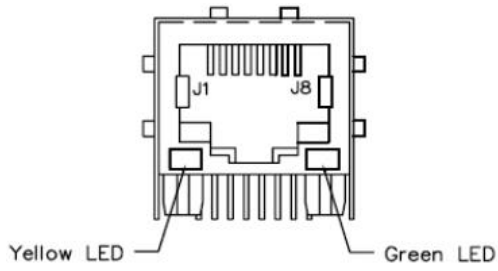
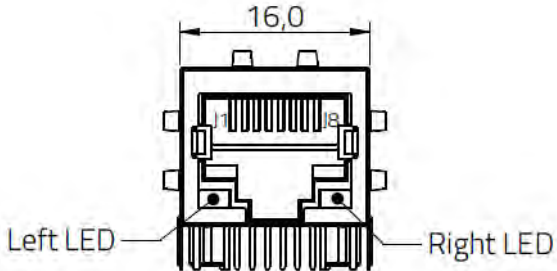
7499010211A:

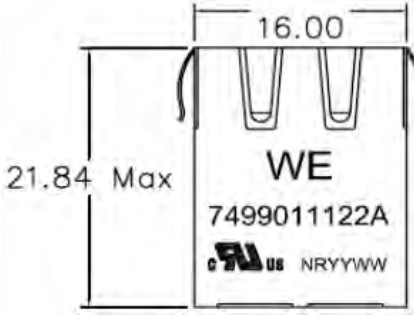
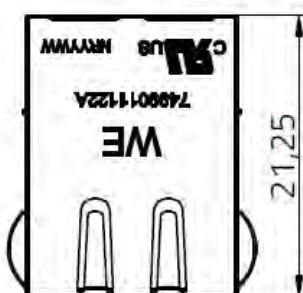
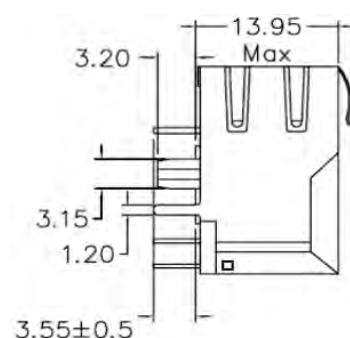
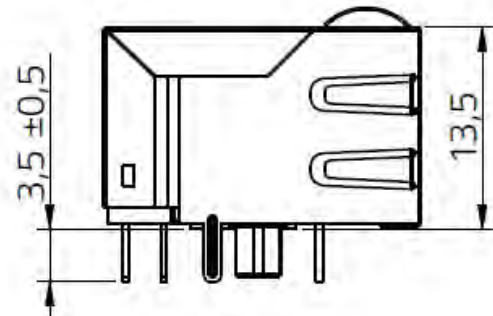
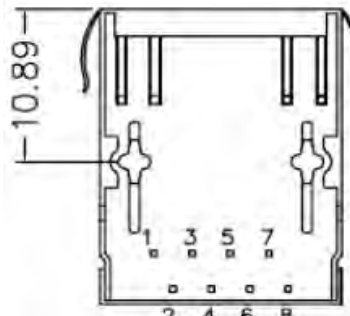
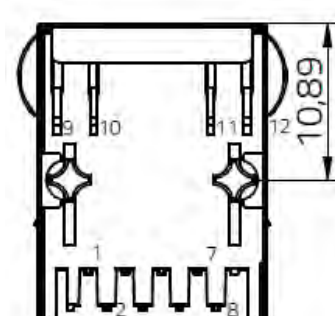


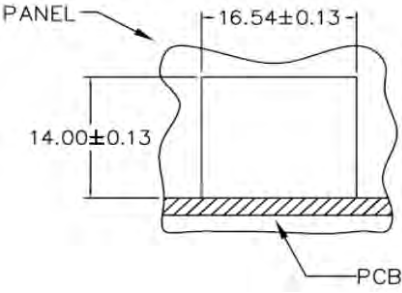
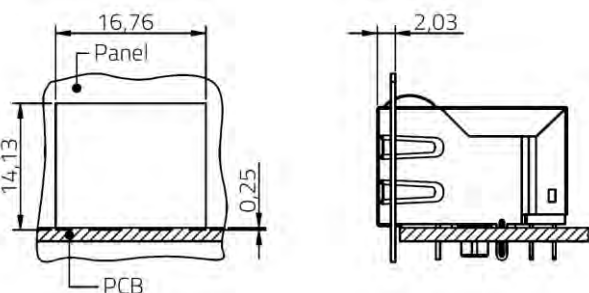
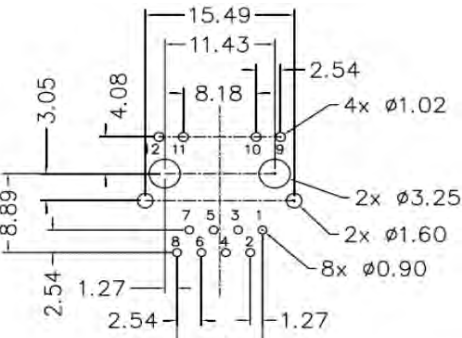
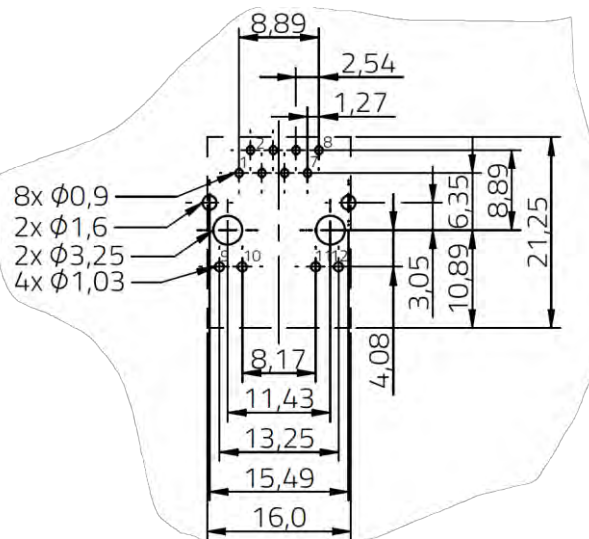
	
	
	
<p>Return Loss: 1-30 MHz 30-45 MHz 45-60 MHz 60-80 MHz</p>	<p>Return Loss: 1-30 MHz 30-60 MHz 60-80 MHz 80-100 MHz</p>
<p>Common Mode Rejection: 1-100 MHz</p>	<p>Common Mode Rejection: 1-30 MHz 30-60 MHz 60-100 MHz</p>

<p>Crosstalk: 1-100 MHz</p>	<p>Crosstalk: 1-60 MHz 60-100 MHz</p>
<p>No panel cutout</p>	
	

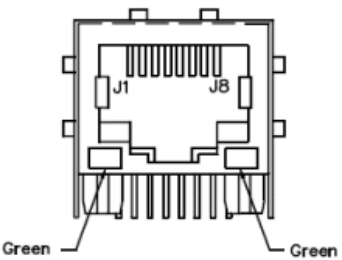
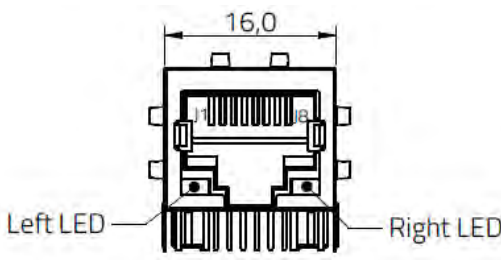
749901122A:

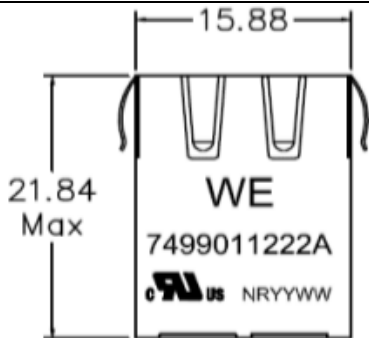
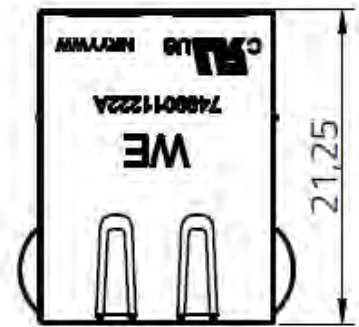
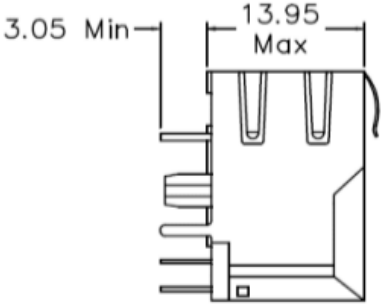
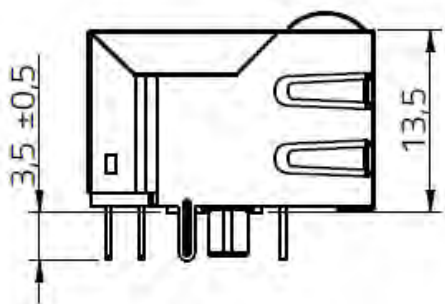
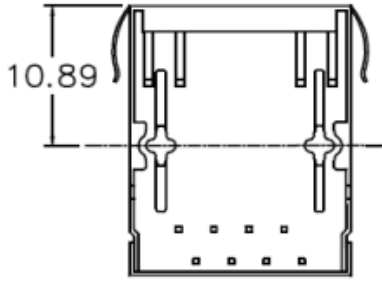
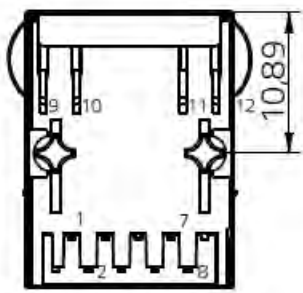
<p>BEFORE CORRECTION</p>	<p>AFTER CORRECTION</p>
	

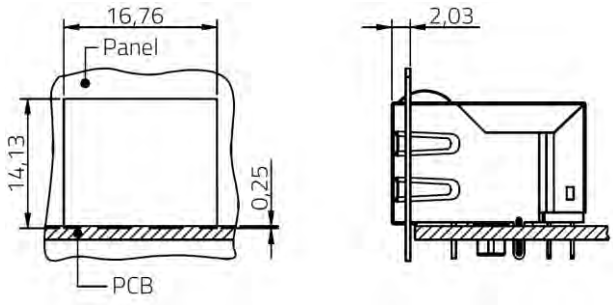
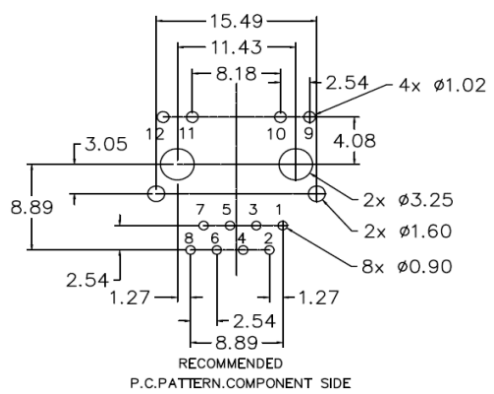
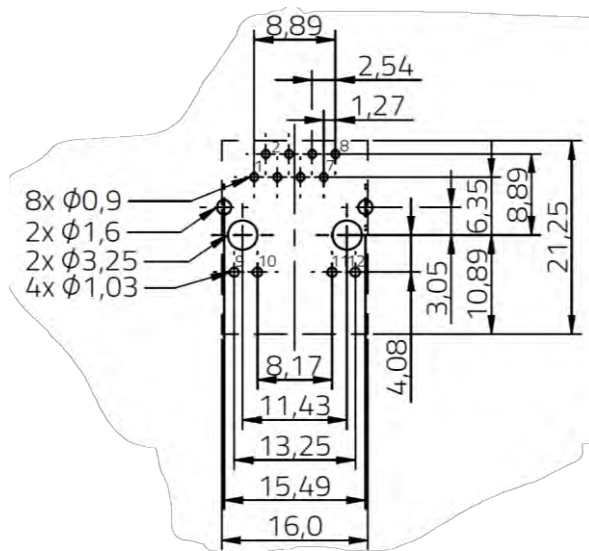
	
	
	
<p>Return Loss: 1-30 MHz 30-45 MHz 45-60 MHz 60-80 MHz</p>	<p>Return Loss: 1-30 MHz 30-60 MHz 60-80 MHz 80-100 MHz</p>
<p>Common Mode Rejection: 1-100 MHz</p>	<p>Common Mode Rejection: 1-30 MHz 30-60 MHz 60-100 MHz</p>

<p>Crosstalk: 1-100 MHz</p>	<p>Crosstalk: 1-60 MHz 60-100 MHz</p>
	
	

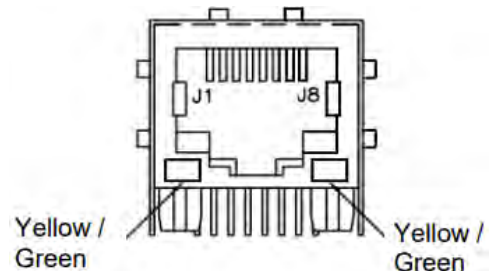
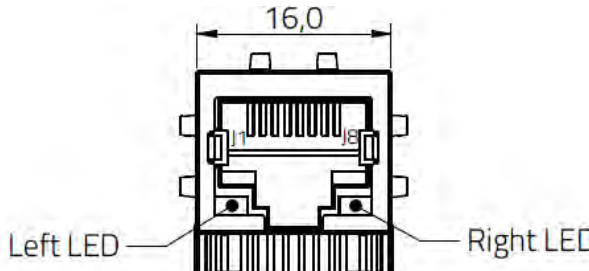
7499011222A:

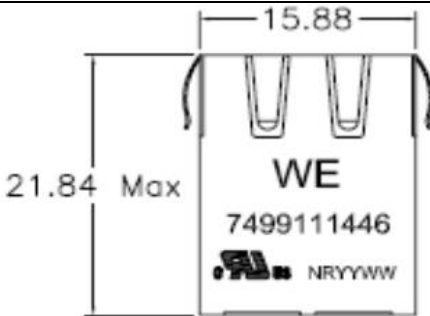
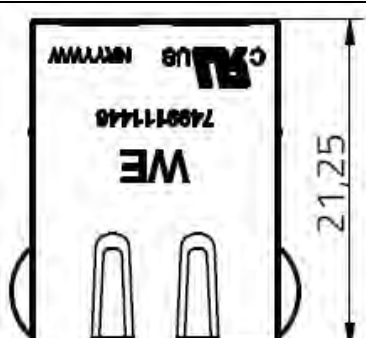
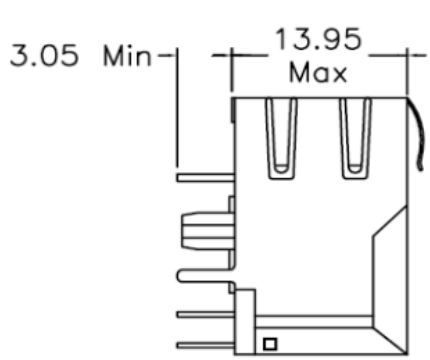
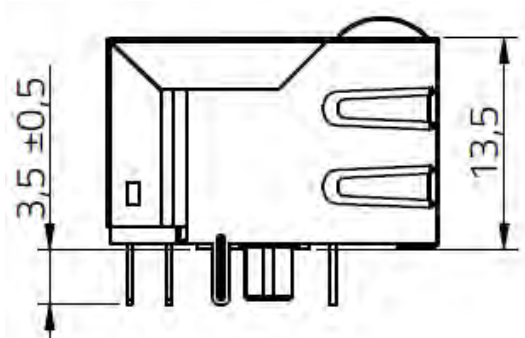
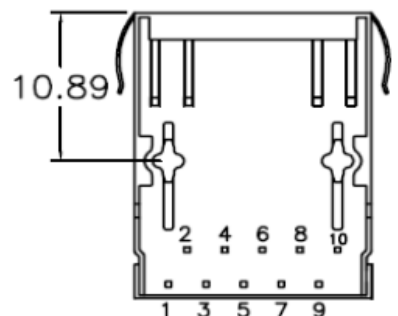
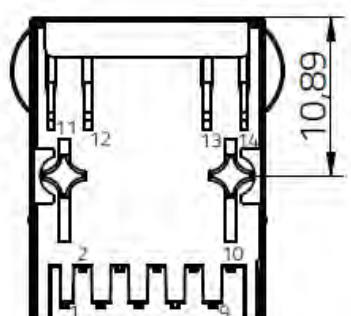
<p>BEFORE CORRECTION</p>	<p>AFTER CORRECTION</p>
	

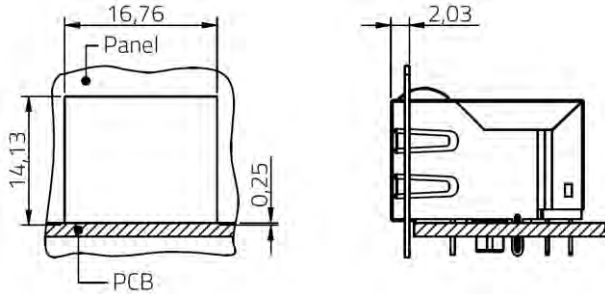
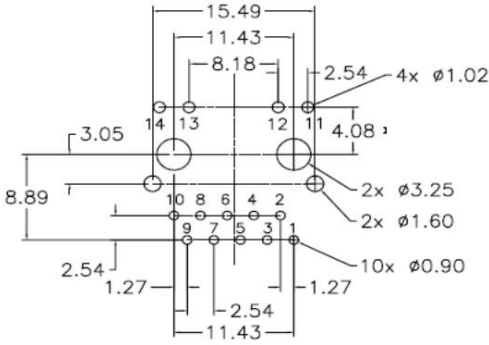
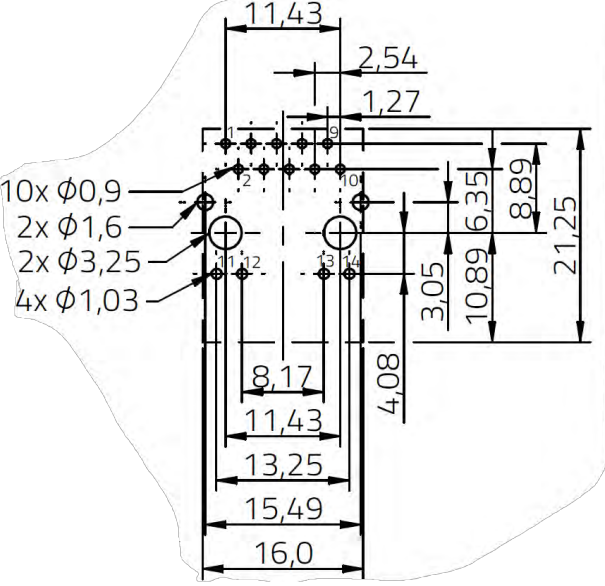
	
	
	
<p>Return Loss: 1-10 MHz 10-30 MHz 30-60 MHz 60-80 MHz</p>	<p>Return Loss: 1-30 MHz 30-60 MHz 60-80 MHz 80-100 MHz</p>
<p>Common Mode Rejection: 1-50 MHz 50-100 MHz</p>	<p>Common Mode Rejection: 1-30 MHz 30-60 MHz 60-100 MHz</p>
<p>Crosstalk: 1-30 MHz</p>	<p>Crosstalk: 1-60 MHz</p>

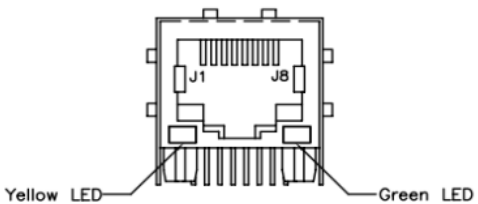
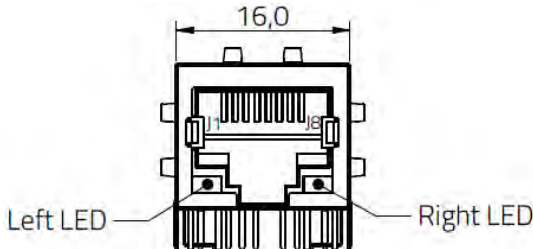
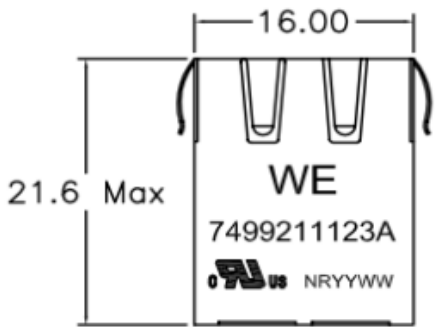
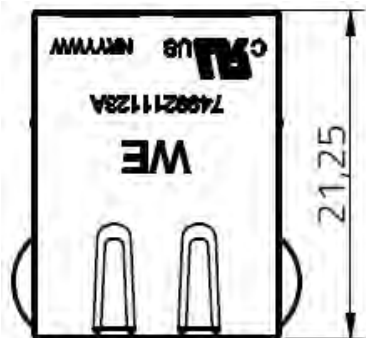
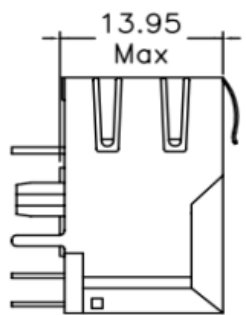
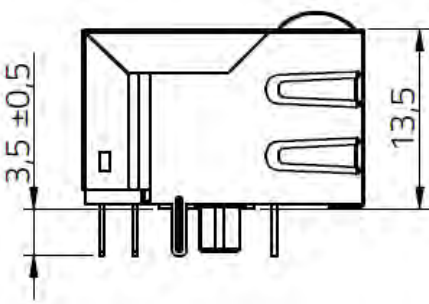
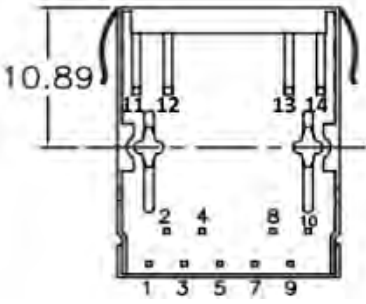
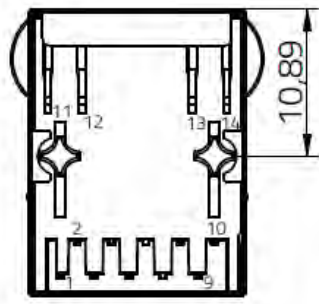
30-60 MHz 60-100 MHz	60-100 MHz
No panel cutout	
	

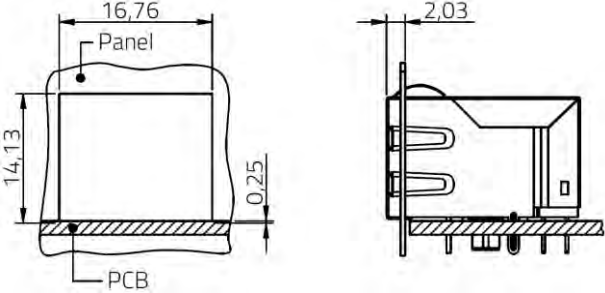
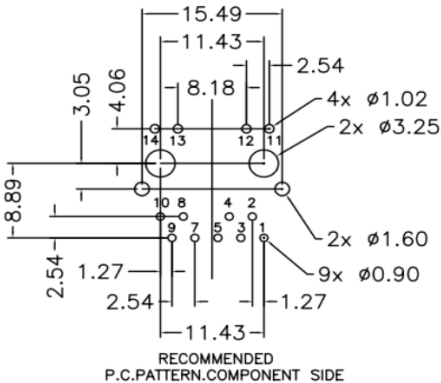
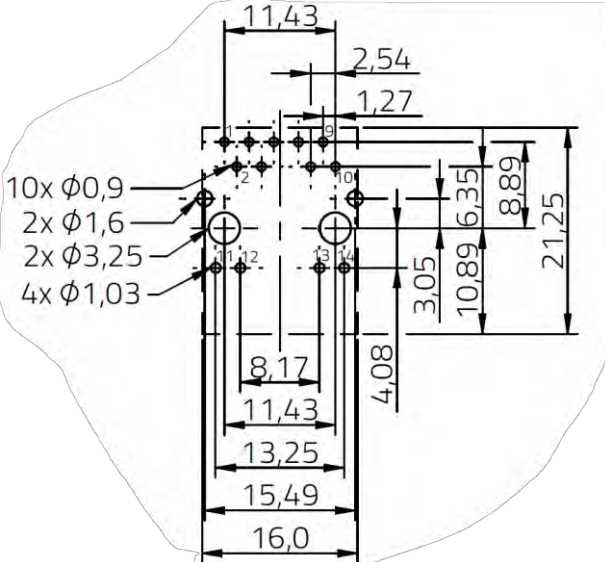
7499111446:

BEFORE CORRECTION	AFTER CORRECTION
	

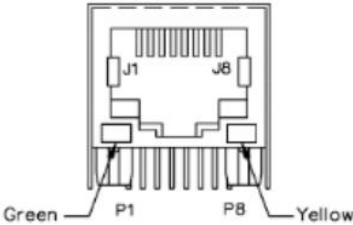
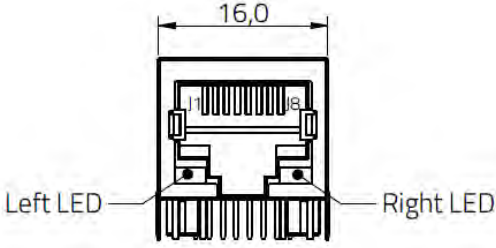
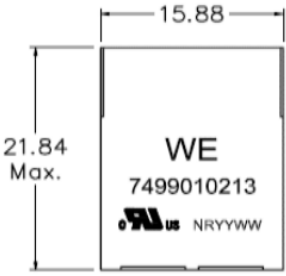
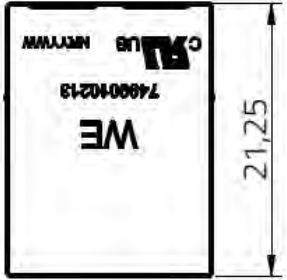
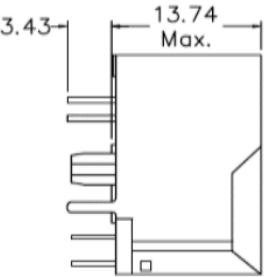
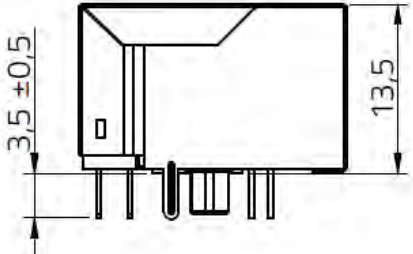
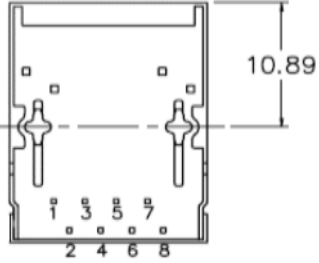
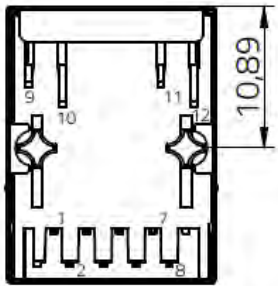
	
	
	
<p>Return Loss: 1-40 MHz 40-60 MHz 60-80 MHz 80-100 MHz</p>	<p>Return Loss: 1-30 MHz 30-60 MHz 60-80 MHz 80-100 MHz</p>

<p>Common Mode Rejection: 1-100 MHz</p>	<p>Common Mode Rejection: 1-30 MHz 30-60 MHz 60-100 MHz</p>
<p>Crosstalk: 1-100 MHz</p>	<p>Crosstalk: 1-60 MHz 60-100 MHz</p>
<p>No panel cutout</p>	
	

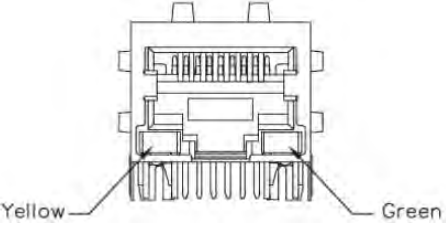
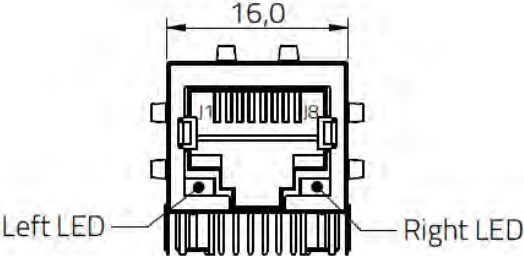
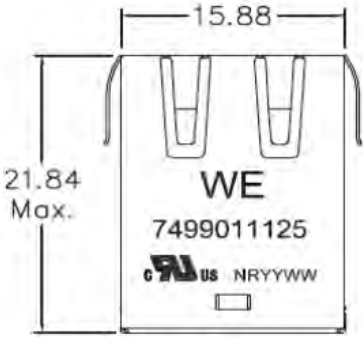
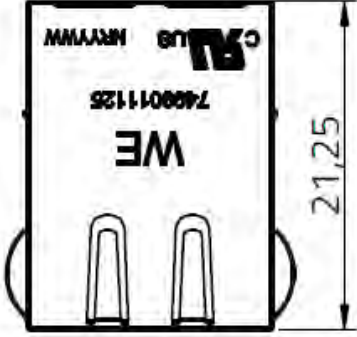
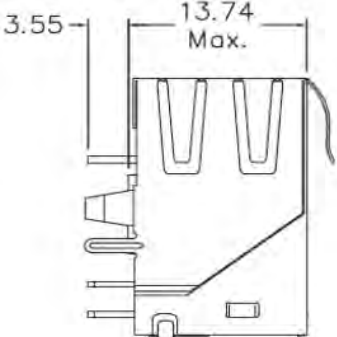
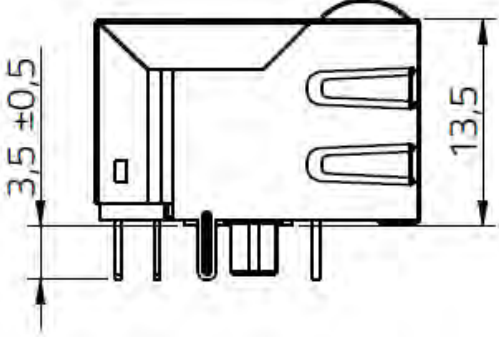
7499211123A: BEFORE CORRECTION	AFTER CORRECTION
 <p>Yellow LED Green LED</p>	 <p>Left LED Right LED</p>
 <p>16.00 21.6 Max WE 7499211123A NRYWW</p>	 <p>16.00 21.25 WE 7499211123A NRYWW</p>
 <p>13.95 Max</p>	 <p>3.5 ± 0.5 13.5</p>
 <p>10.89 11 12 13 14 2 4 8 16 1 3 5 7 9</p>	 <p>10.89 11 12 13 14 2 4 8 16 1 3 5 7 9</p>

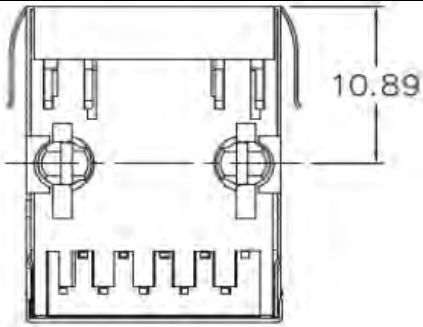
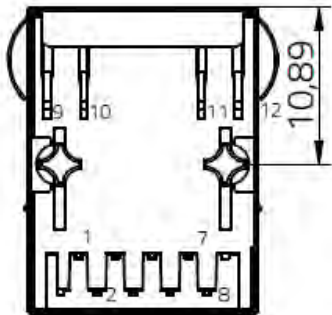
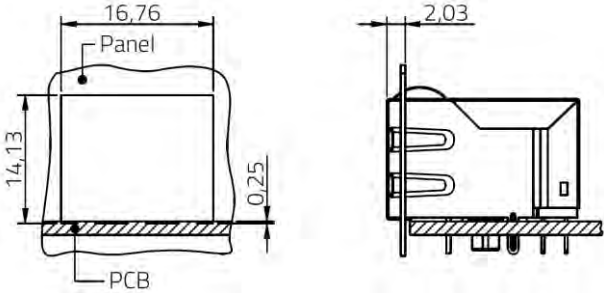
<p>Return Loss: 1-10 MHz 10-30 MHz 30-60 MHz 60-80 MHz</p>	<p>Return Loss: 1-30 MHz 30-60 MHz 60-80 MHz 80-100 MHz</p>
<p>Common Mode Rejection: 1-500 MHz</p>	<p>Common Mode Rejection: 1-30 MHz 30-60 MHz 60-100 MHz</p>
<p>Crosstalk: 1-30 MHz 30-60 MHz 60-100 MHz</p>	<p>Crosstalk: 1-60 MHz 60-100 MHz</p>
<p>No panel cutout</p>	
	

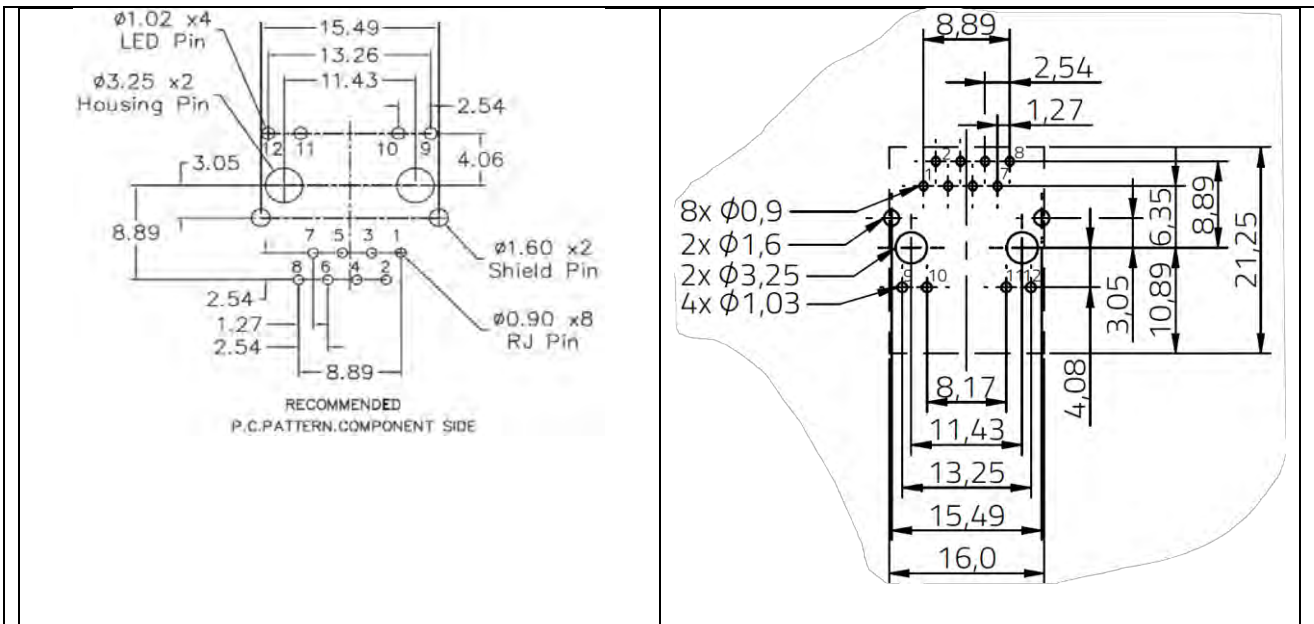
7499010213:

BEFORE CORRECTION	AFTER CORRECTION
	
	
	
	

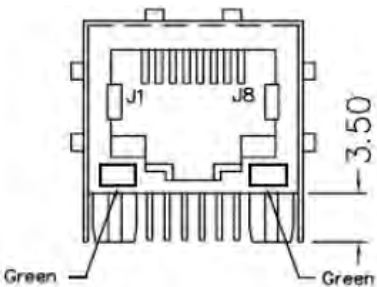
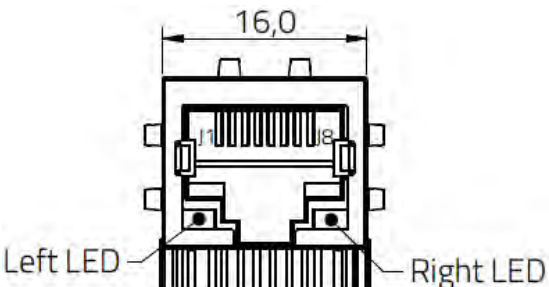
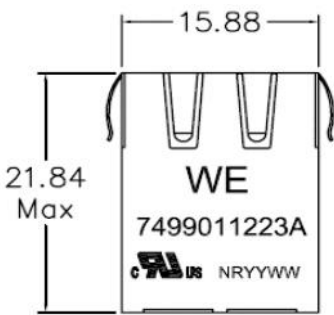
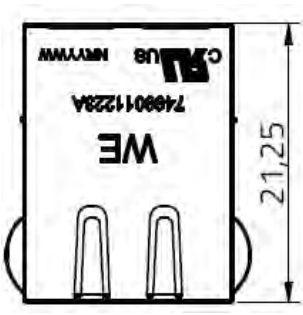
7499011125:

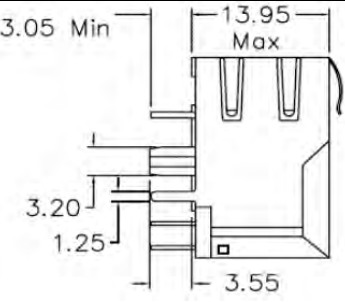
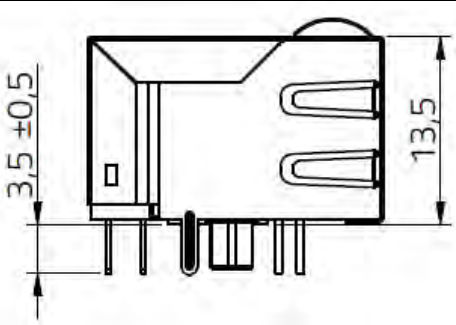
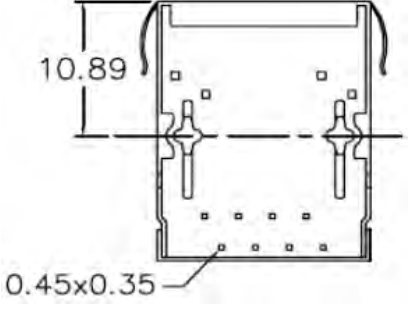
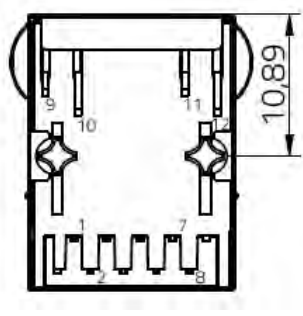
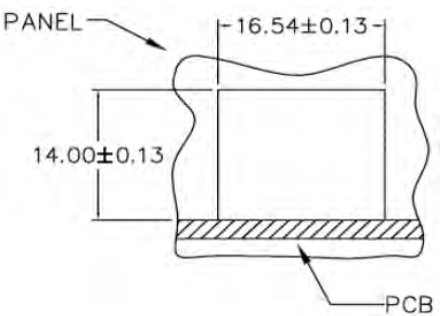
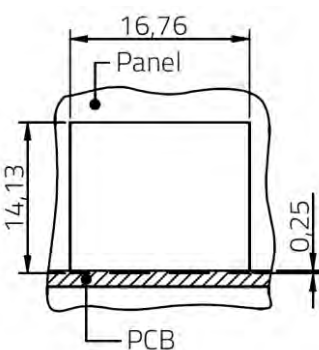
BEFORE CORRECTION	AFTER CORRECTION
	
	
	

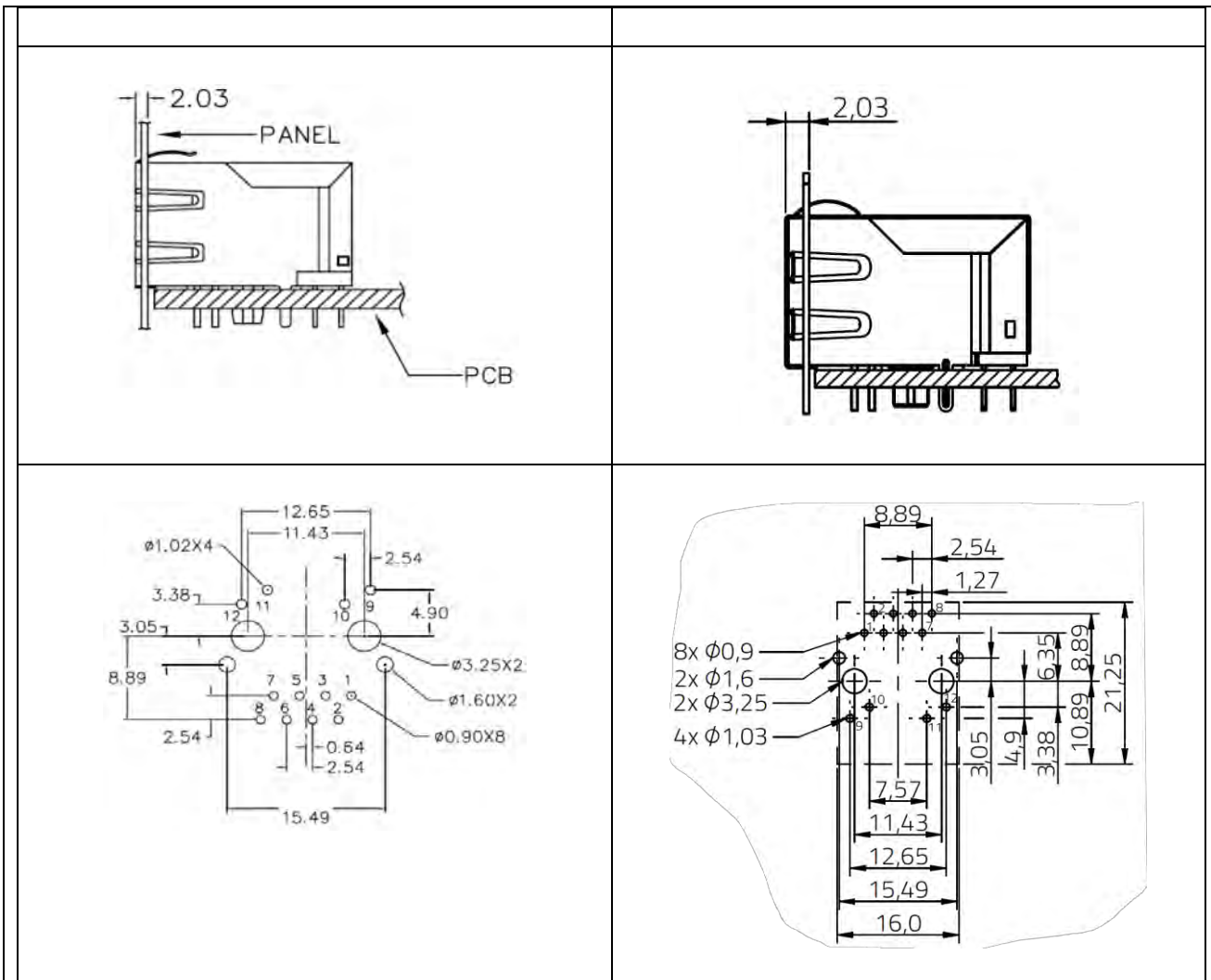
	
<p>Return Loss: 1-30 MHz 30-45 MHz 45-60 MHz 60-80 MHz</p>	<p>Return Loss: 1-30 MHz 30-60 MHz 60-80 MHz 80-100 MHz</p>
<p>Common Mode Rejection: 1-100 MHz</p>	<p>Common Mode Rejection: 1-30 MHz 30-60 MHz 60-100 MHz</p>
<p>Crosstalk: 1-100 MHz</p>	<p>Crosstalk: 1-60 MHz 60-100 MHz</p>
<p>No panel cutout</p>	



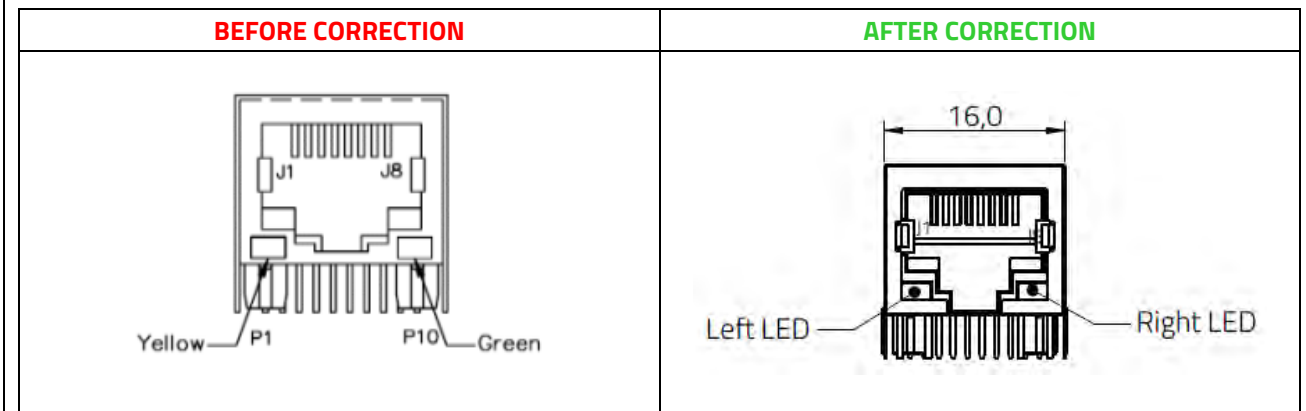
7499011223A:

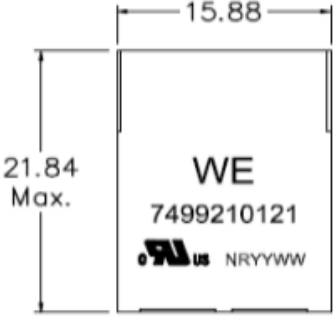
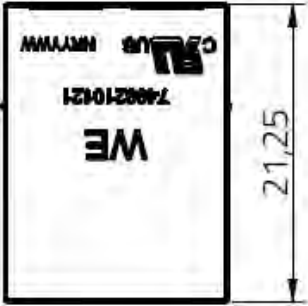
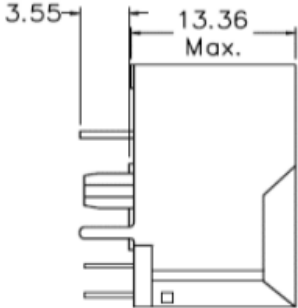
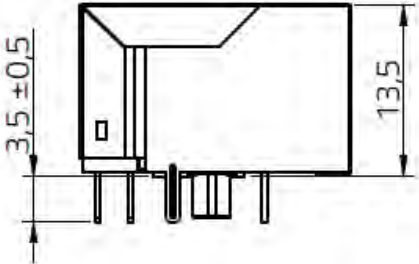
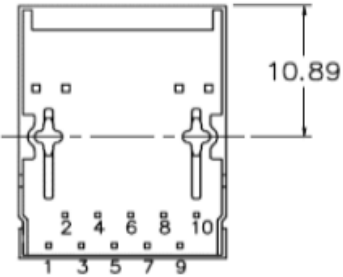
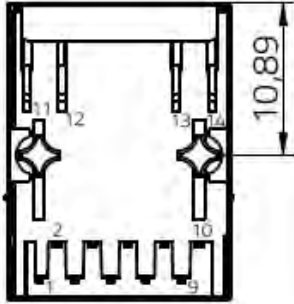
BEFORE CORRECTION	AFTER CORRECTION
	
	

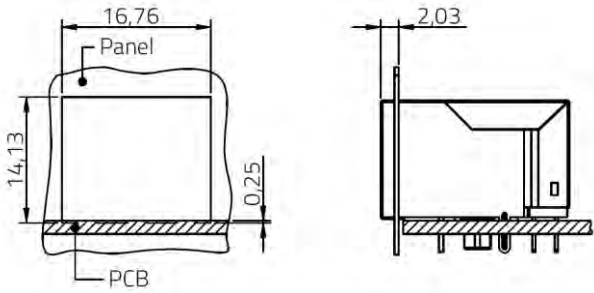
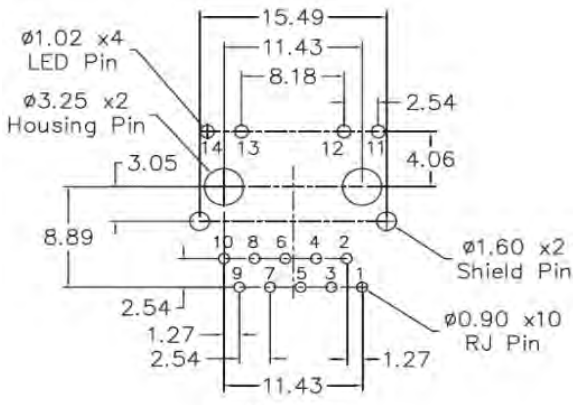
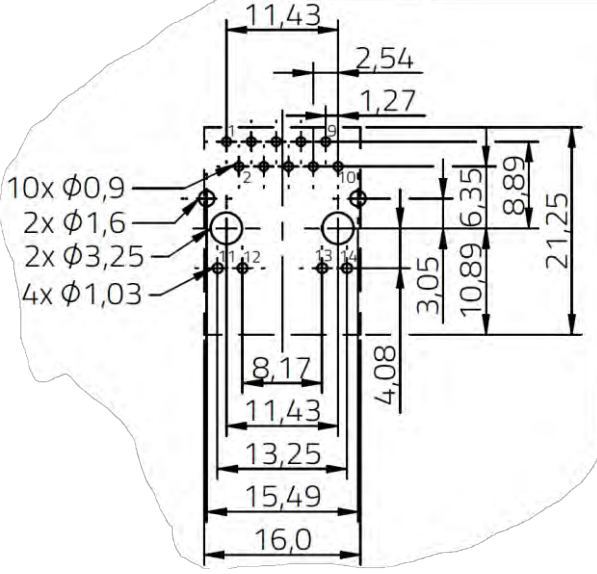
	
	
<p>Return Loss: 1-30 MHz 30-45 MHz 45-60 MHz 60-80 MHz</p>	<p>Return Loss: 1-30 MHz 30-60 MHz 60-80 MHz 80-100 MHz</p>
<p>Common Mode Rejection: 1-100 MHz</p>	<p>Common Mode Rejection: 1-30 MHz 30-60 MHz 60-100 MHz</p>
<p>Crosstalk: 1-100 MHz</p>	<p>Crosstalk: 1-60 MHz 60-100 MHz</p>
	



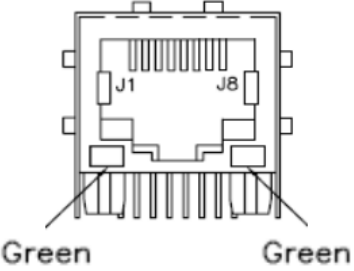
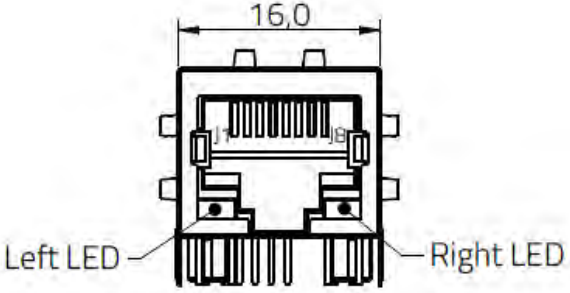
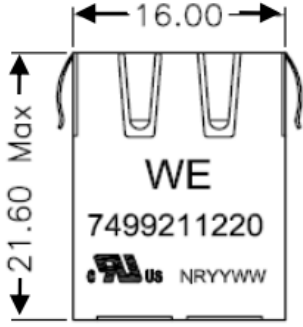
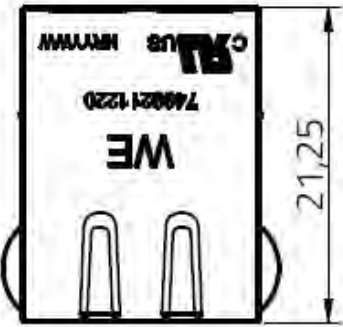
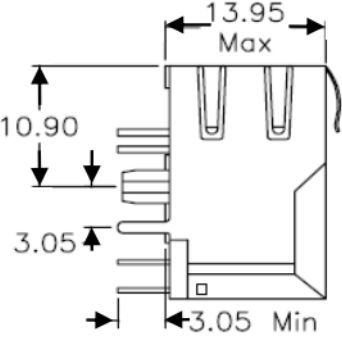
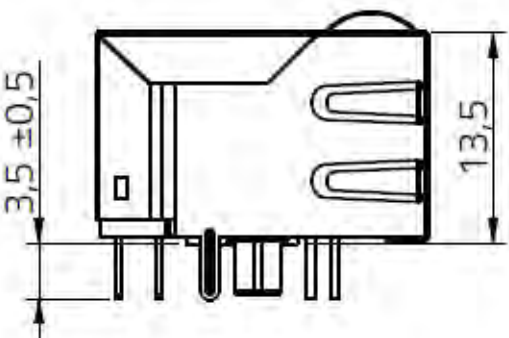
7499210121:

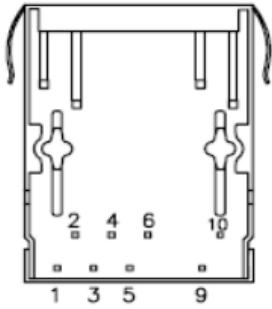
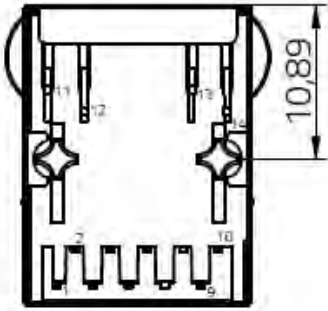
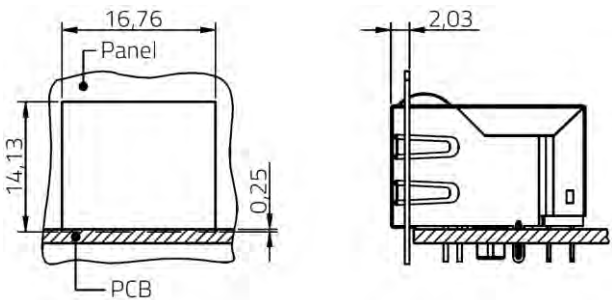


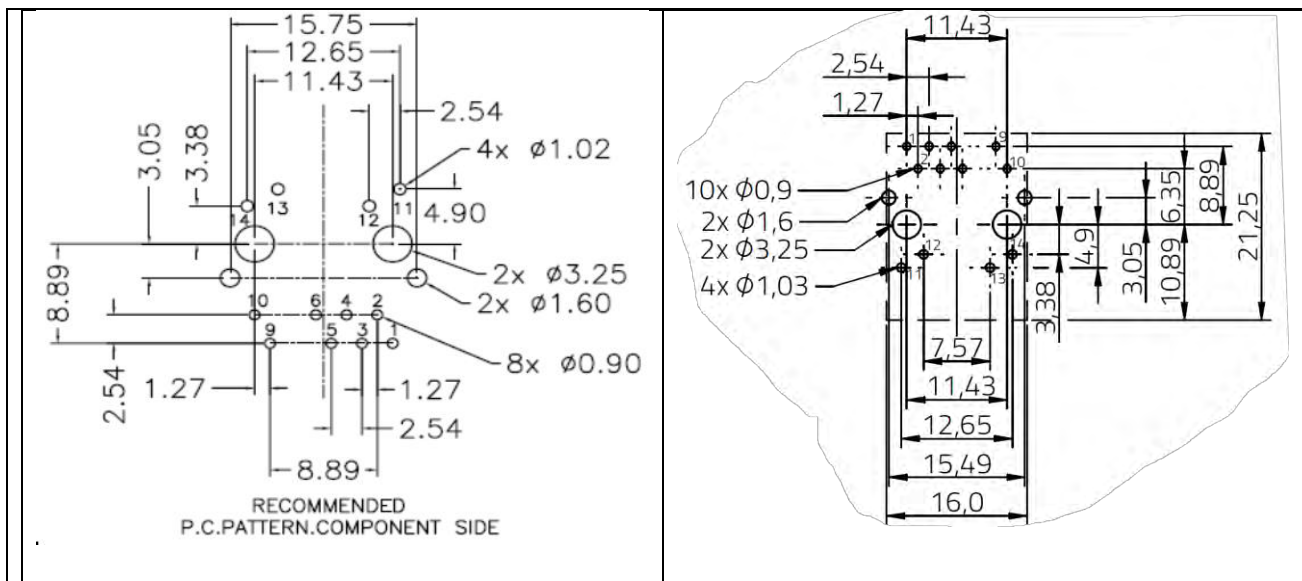
	
	
	
<p>Return Loss: 1-30 MHz 30-45 MHz 45-60 MHz 60-80 MHz</p>	<p>Return Loss: 1-30 MHz 30-60 MHz 60-80 MHz 80-100 MHz</p>
<p>Common Mode Rejection: 1-100 MHz</p>	<p>Common Mode Rejection: 1-30 MHz 30-60 MHz 60-100 MHz</p>

<p>Crosstalk: 1-100 MHz</p>	<p>Crosstalk: 1-60 MHz 60-100 MHz</p>
<p>No panel cutout</p>	
 <p>RECOMMENDED P.C.PATTERN.COMPONENT SIDE</p>	

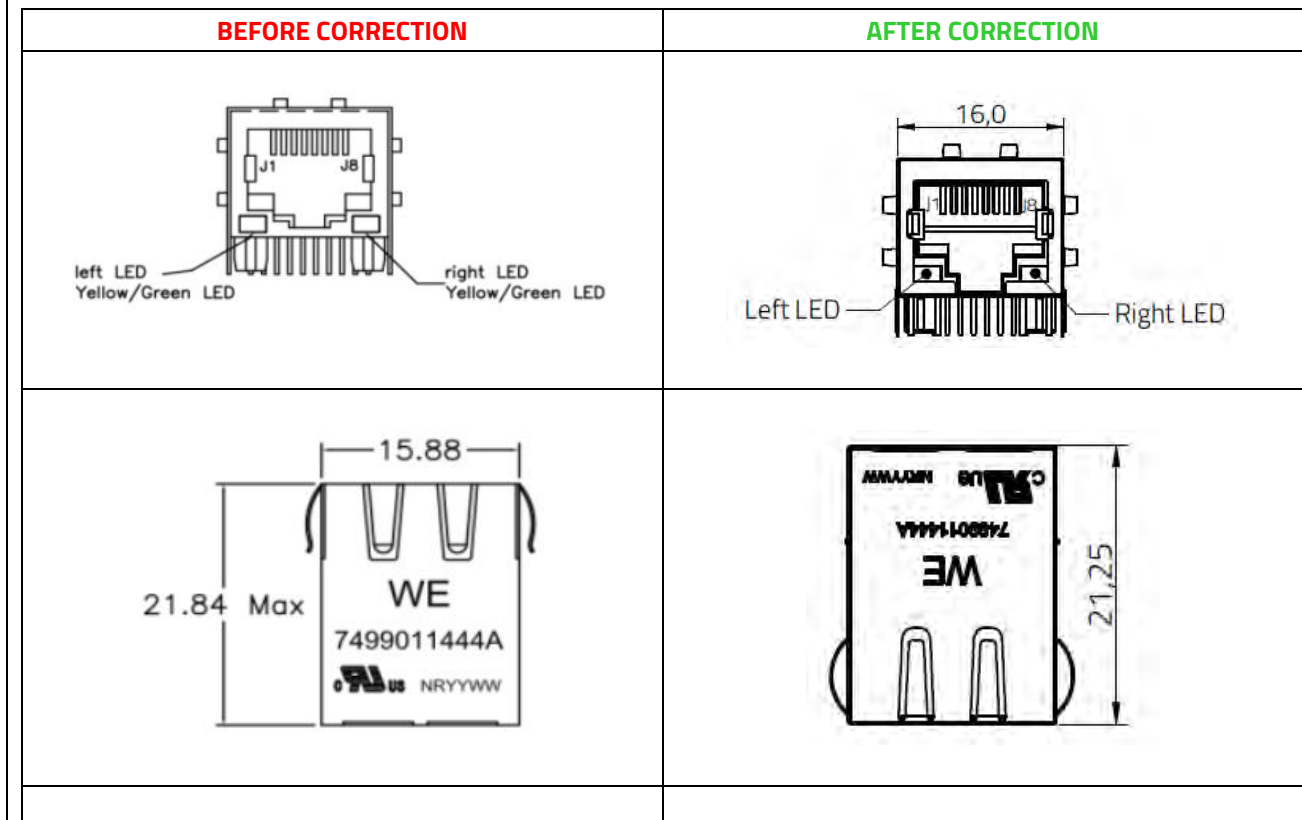
7499211220:

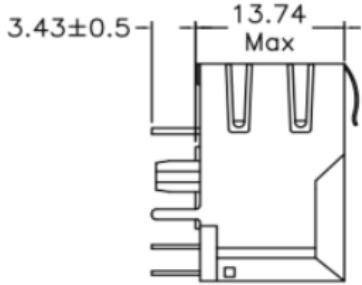
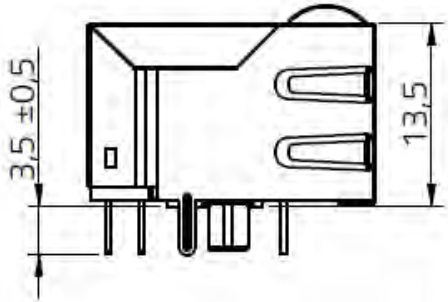
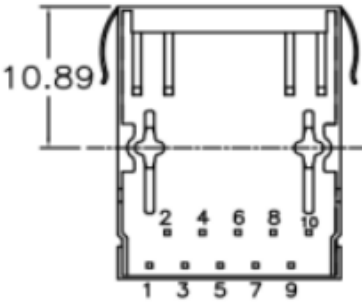
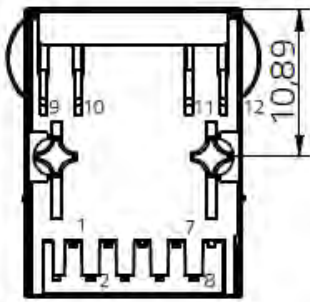
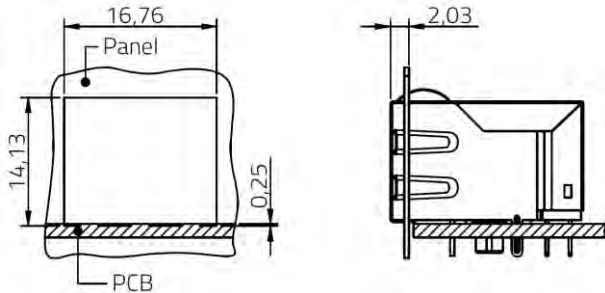
BEFORE CORRECTION	AFTER CORRECTION
	
	
	

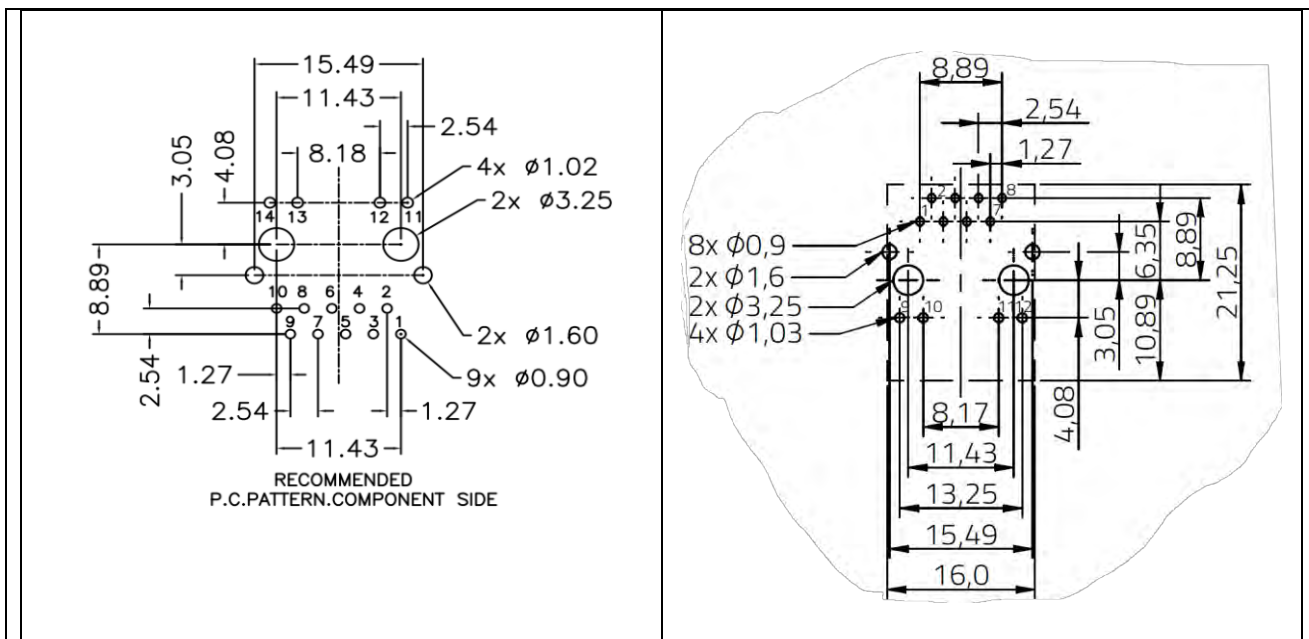
	
<p>Return Loss: 1-10 MHz 10-30 MHz 30-60 MHz 60-80 MHz</p>	<p>Return Loss: 1-30 MHz 30-60 MHz 60-80 MHz 80-100 MHz</p>
<p>Common Mode Rejection: 1-100 MHz</p>	<p>Common Mode Rejection: 1-30 MHz 30-60 MHz 60-100 MHz</p>
<p>Crosstalk: 1-100 MHz</p>	<p>Crosstalk: 1-60 MHz 60-100 MHz</p>
<p>No panel cutout</p>	



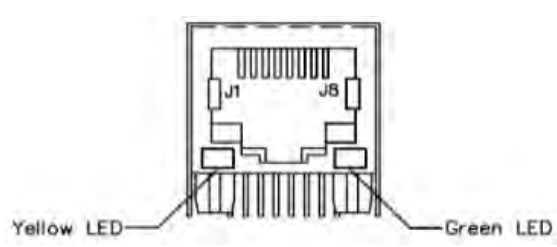
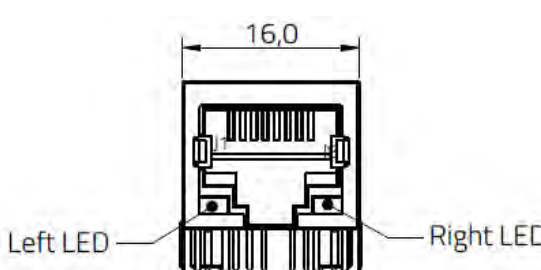
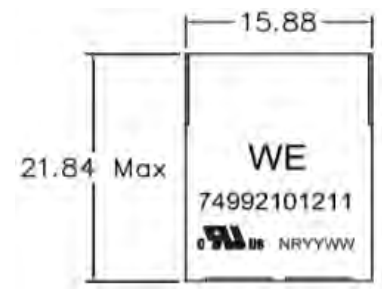

7499011444A

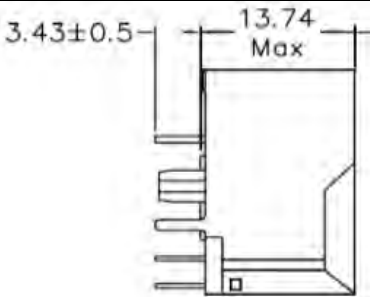
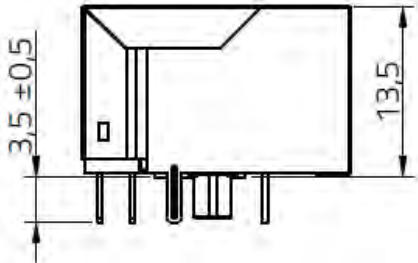
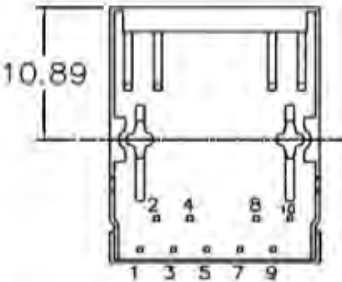
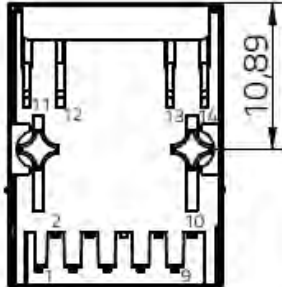
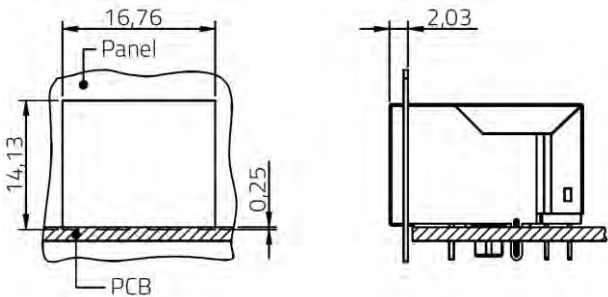


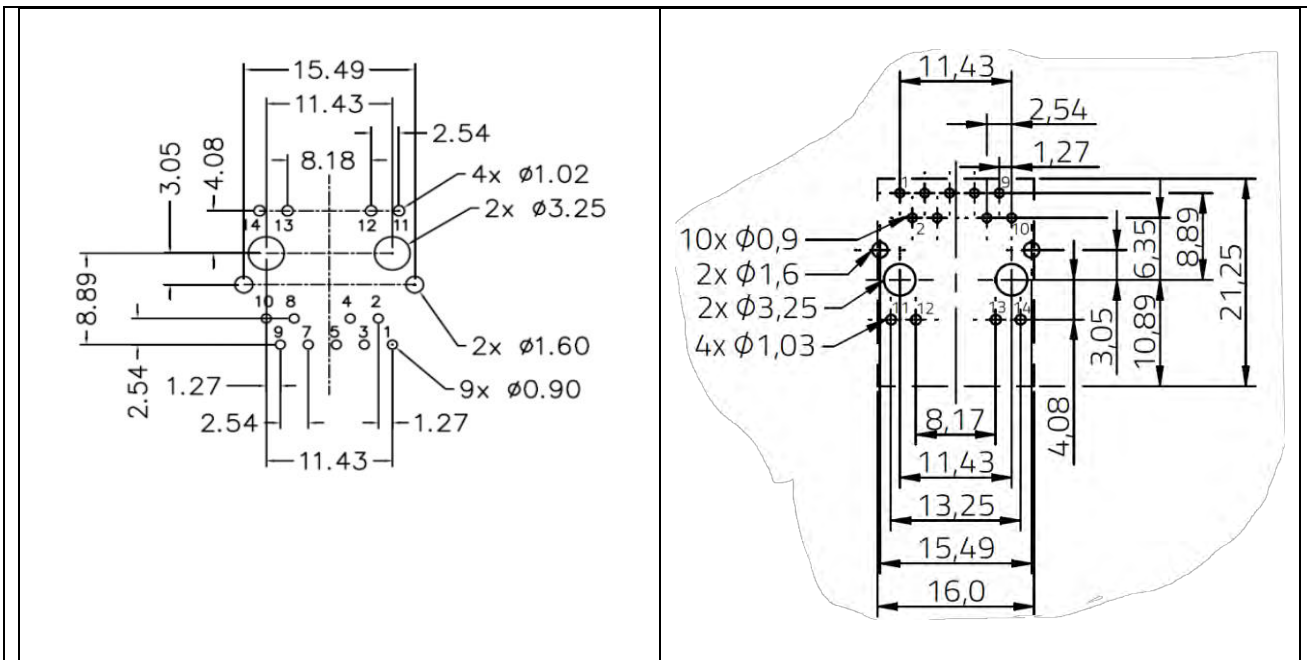
	
	
<p>Return Loss: 1-10 MHz 10-30 MHz 30-60 MHz 60-80MHz</p>	<p>Return Loss: 1-30 MHz 30-60 MHz 60-80 MHz 80-100 MHz</p>
<p>Common Mode Rejection: 1-100 MHz</p>	<p>Common Mode Rejection: 1-30 MHz 30-60 MHz 60-100 MHz</p>
<p>Crosstalk: 1-100 MHz</p>	<p>Crosstalk: 1-60 MHz 60-100 MHz</p>
<p>No panel cutout</p>	



74992101211:

BEFORE CORRECTION	AFTER CORRECTION
 <p>Yellow LED</p> <p>Green LED</p>	 <p>Left LED</p> <p>Right LED</p>
 <p>15.88</p> <p>21.84 Max</p> <p>WE</p> <p>74992101211</p> <p>NRYYWW</p>	 <p>16,0</p> <p>21,25</p> <p>WE</p> <p>74992101211</p>

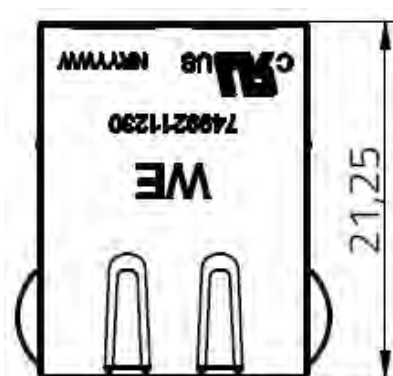
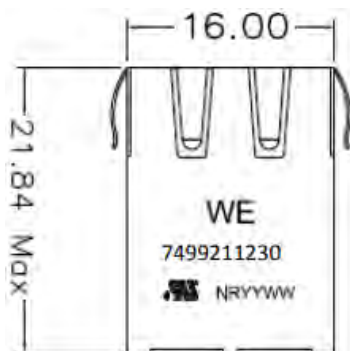
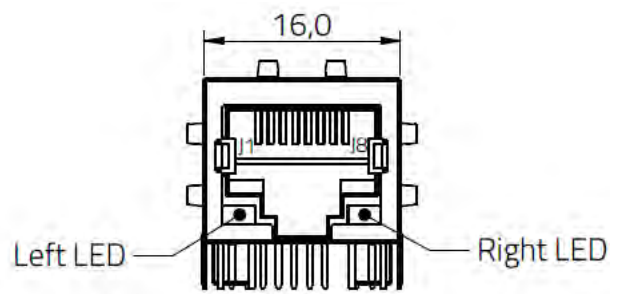
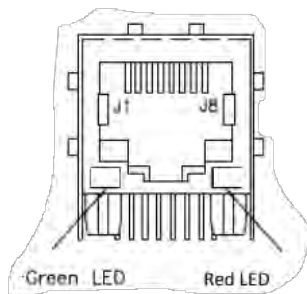
	
	
<p>Return Loss: 1-30 MHz 30-45 MHz 45-60 MHz 60-80 MHz</p>	<p>Return Loss: 1-30 MHz 30-60 MHz 60-80 MHz 80-100 MHz</p>
<p>Common Mode Rejection: 1-100 MHz</p>	<p>Common Mode Rejection: 1-30 MHz 30-60 MHz 60-100 MHz</p>
<p>Crosstalk: 1-100 MHz</p>	<p>Crosstalk: 1-60 MHz 60-100 MHz</p>
<p>No panel cutout</p>	

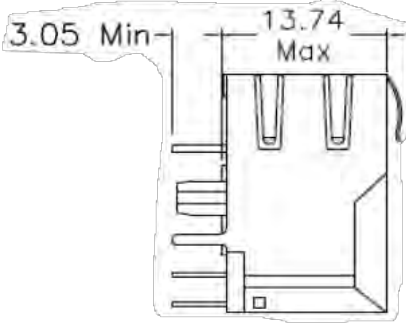
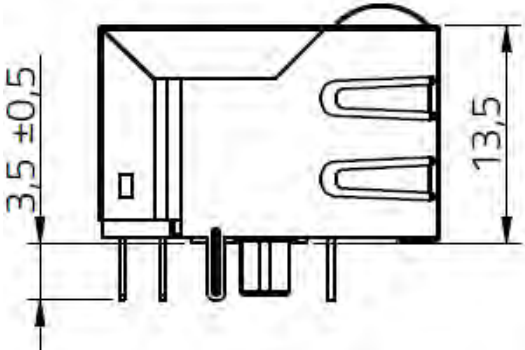
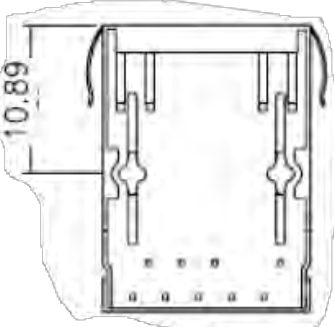
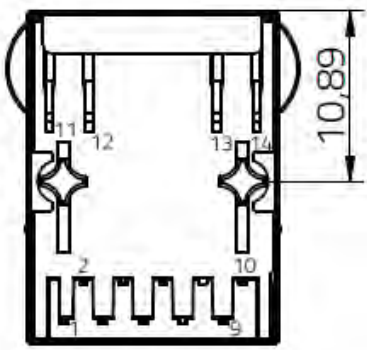


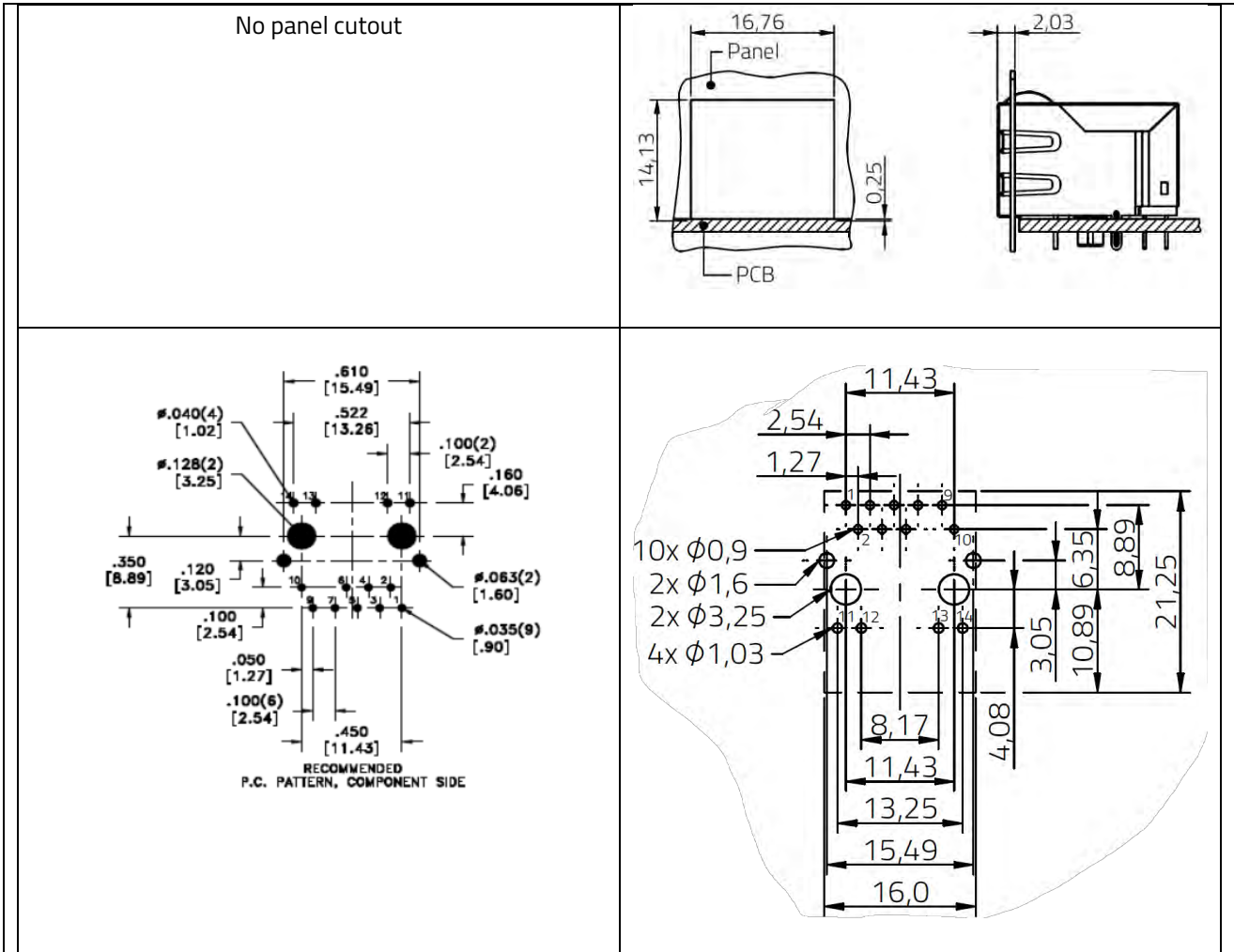
7499211230:

BEFORE CORRECTION

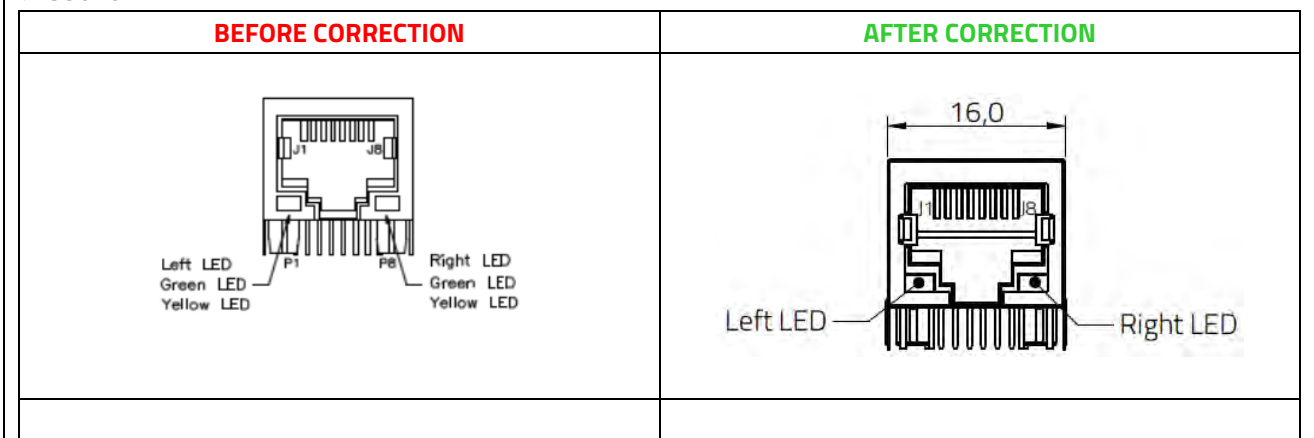
AFTER CORRECTION


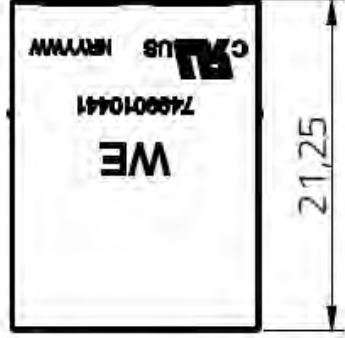
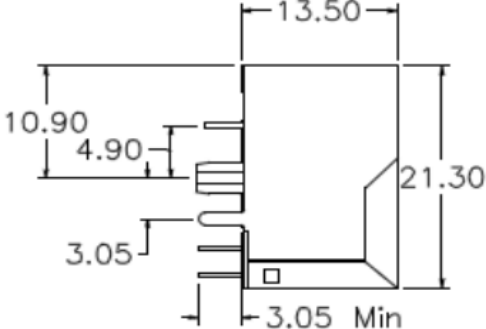
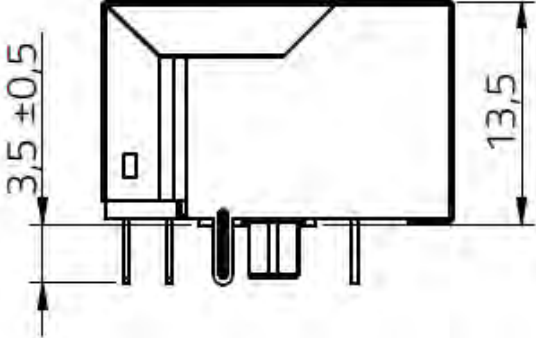
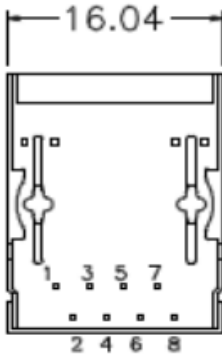
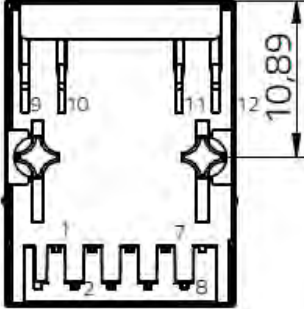


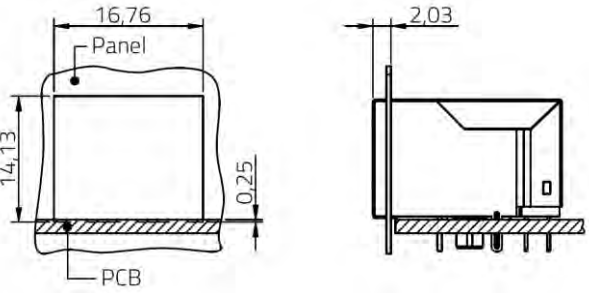
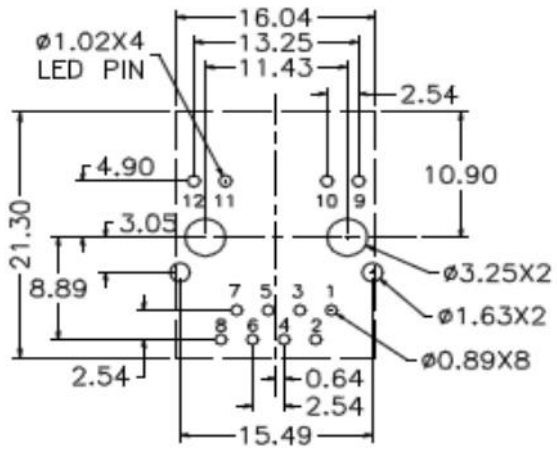
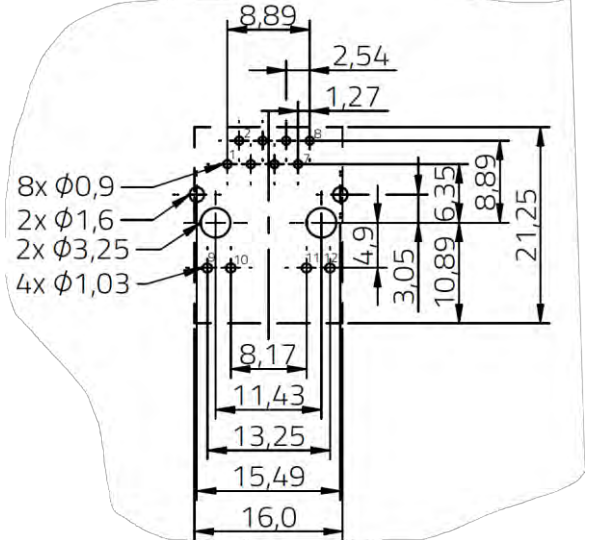
	
	
<p>Return Loss: 1-10 MHz 10-30 MHz 30-60 MHz 60-80 MHz</p>	<p>Return Loss: 1-30 MHz 30-60 MHz 60-80 MHz 80-100 MHz</p>
<p>Common Mode Rejection: 1-100 MHz</p>	<p>Common Mode Rejection: 1-30 MHz 30-60 MHz 60-100 MHz</p>
<p>Crosstalk: 1-100 MHz</p>	<p>Crosstalk: 1-60 MHz 60-100 MHz</p>



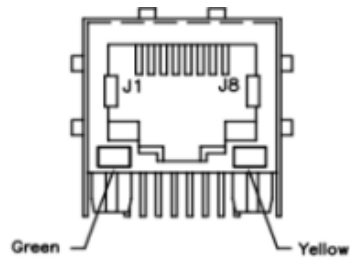
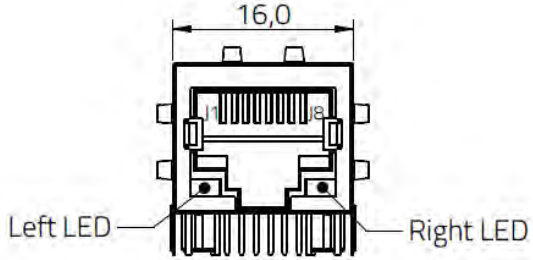
7499010441:

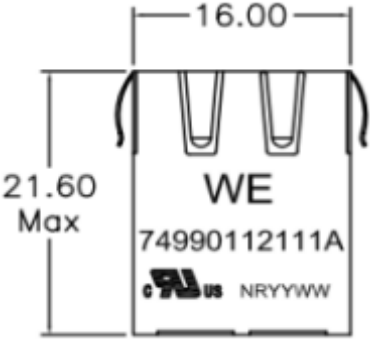
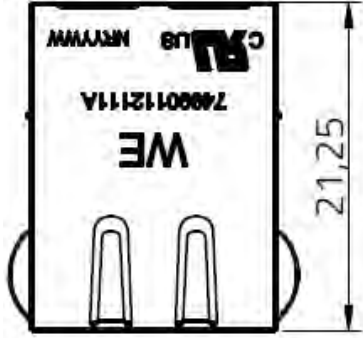
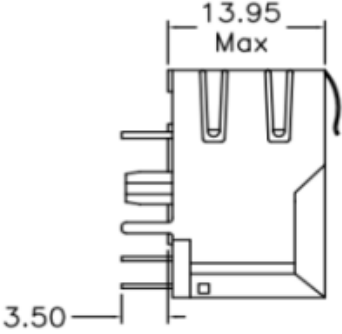
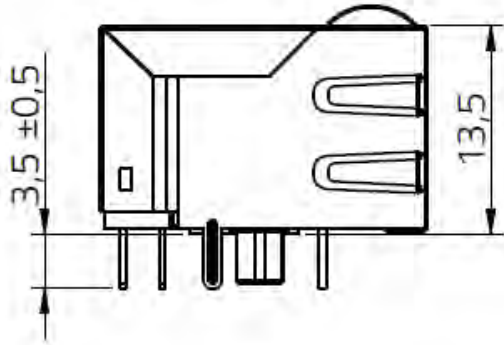
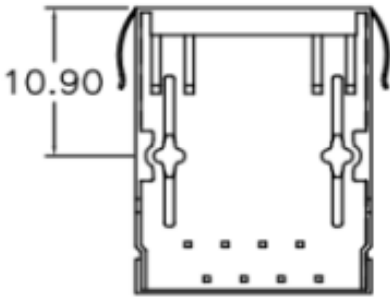
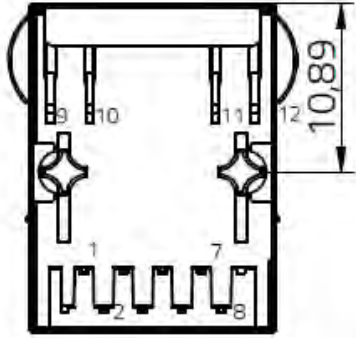


	
	
	
<p>Return Loss: 1-10 MHz 10-30 MHz 30-60 MHz 60-80 MHz</p>	<p>Return Loss: 1-30 MHz 30-60 MHz 60-80 MHz 80-100 MHz</p>
<p>Common Mode Rejection: 1-50 MHz</p>	<p>Common Mode Rejection: 1-30 MHz 30-60 MHz</p>

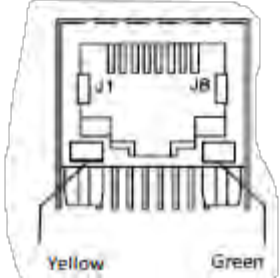
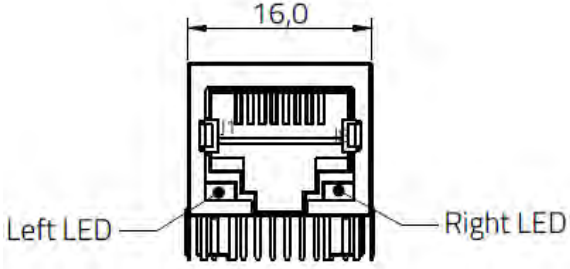
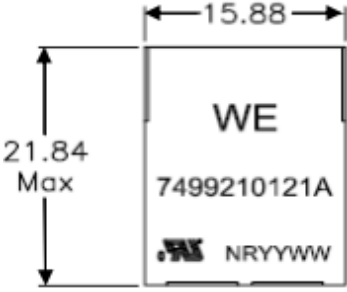

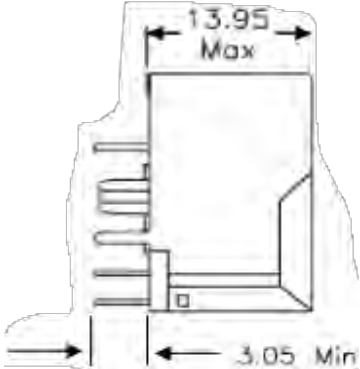
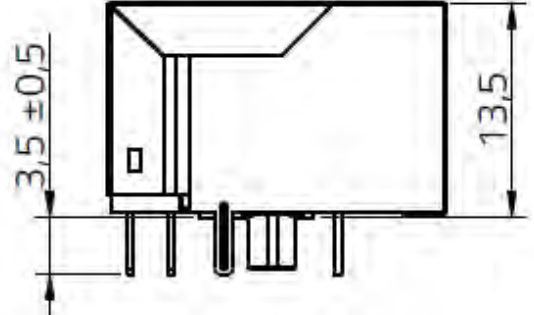
<p>Crosstalk: 1-30 MHz</p>	<p>60-100 MHz Crosstalk: 1-60 MHz 60-100 MHz</p>
<p>No panel cutout</p>	
 <p>RECOMMENDED P.C.PATTERN.COMPONENT SIDE</p>	

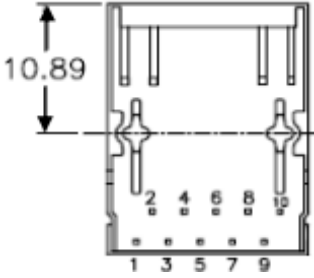
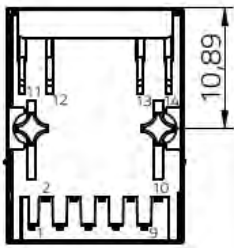
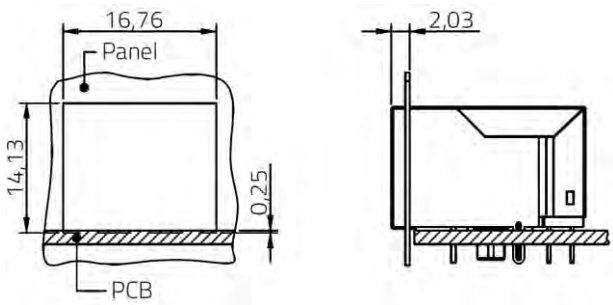
74990112111A:

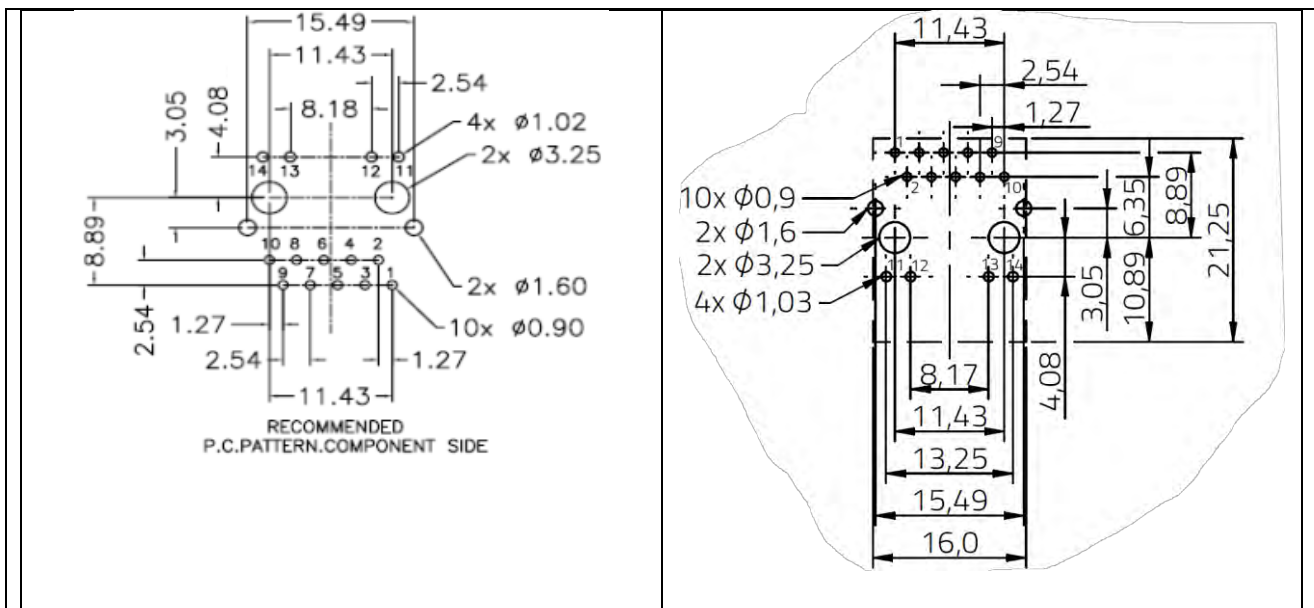
<p>BEFORE CORRECTION</p>	<p>AFTER CORRECTION</p>
	

	
	
	
<p>Return Loss: 1-30 MHz 30-45 MHz 45-60 MHz 60-80 MHz</p>	<p>Return Loss: 1-30 MHz 30-60 MHz 60-80 MHz 80-100 MHz</p>

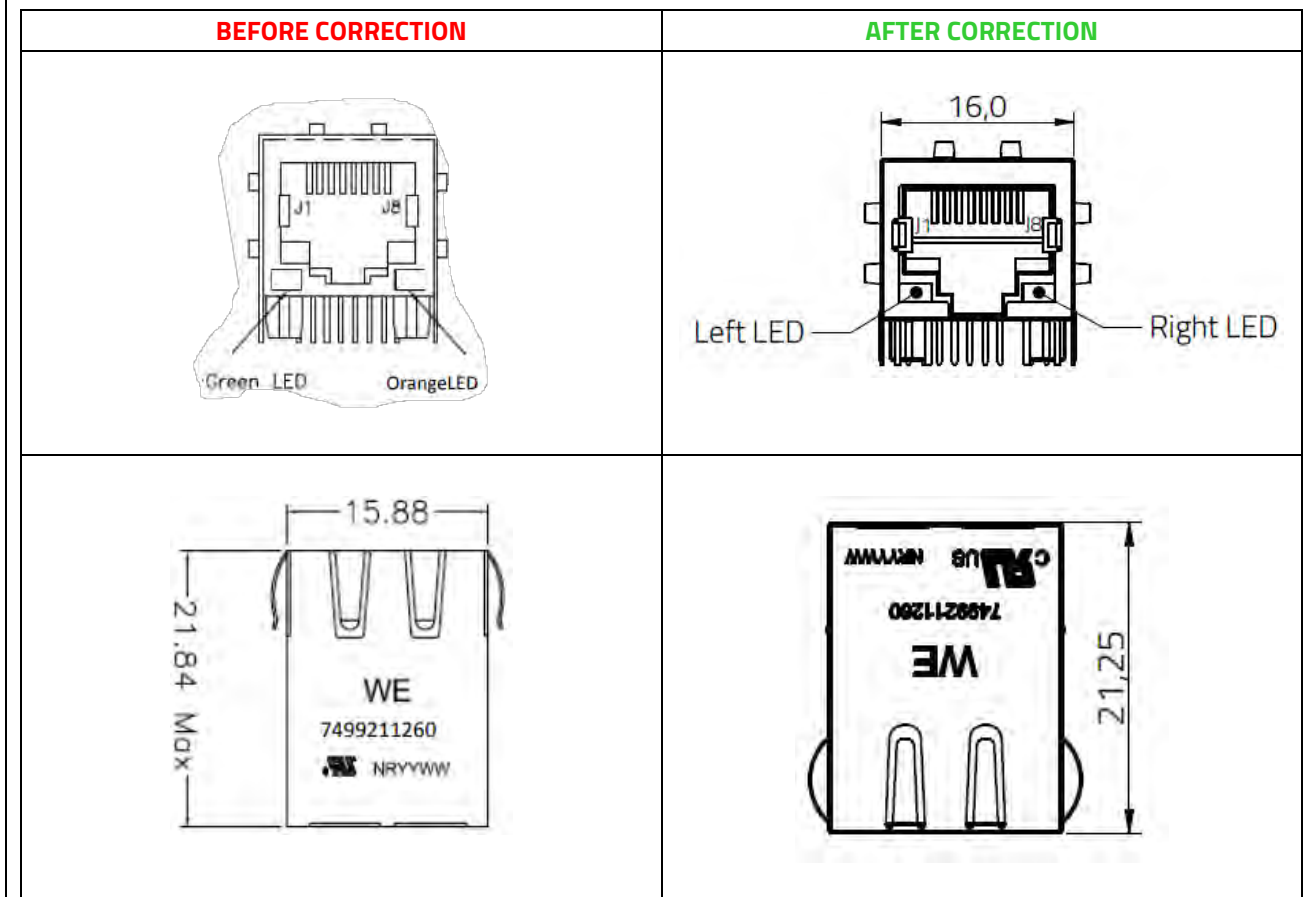
7499210121A:

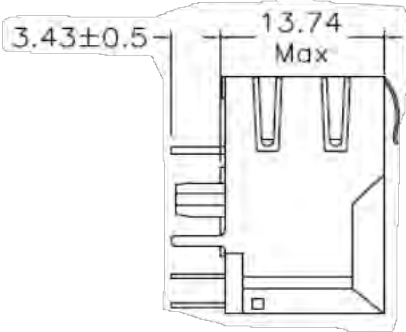
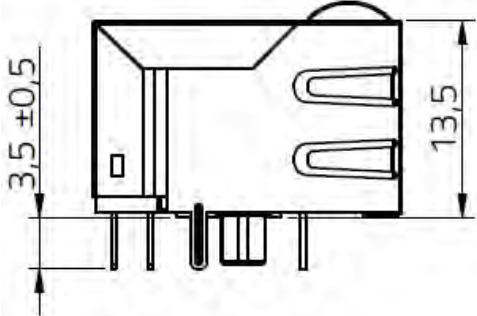
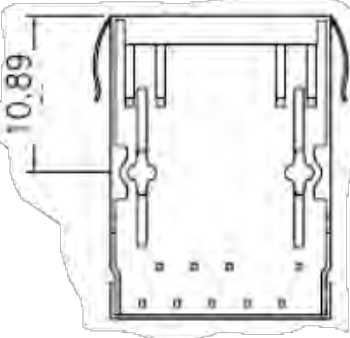
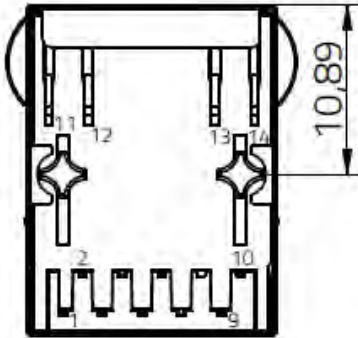
BEFORE CORRECTION	AFTER CORRECTION
	
	
	

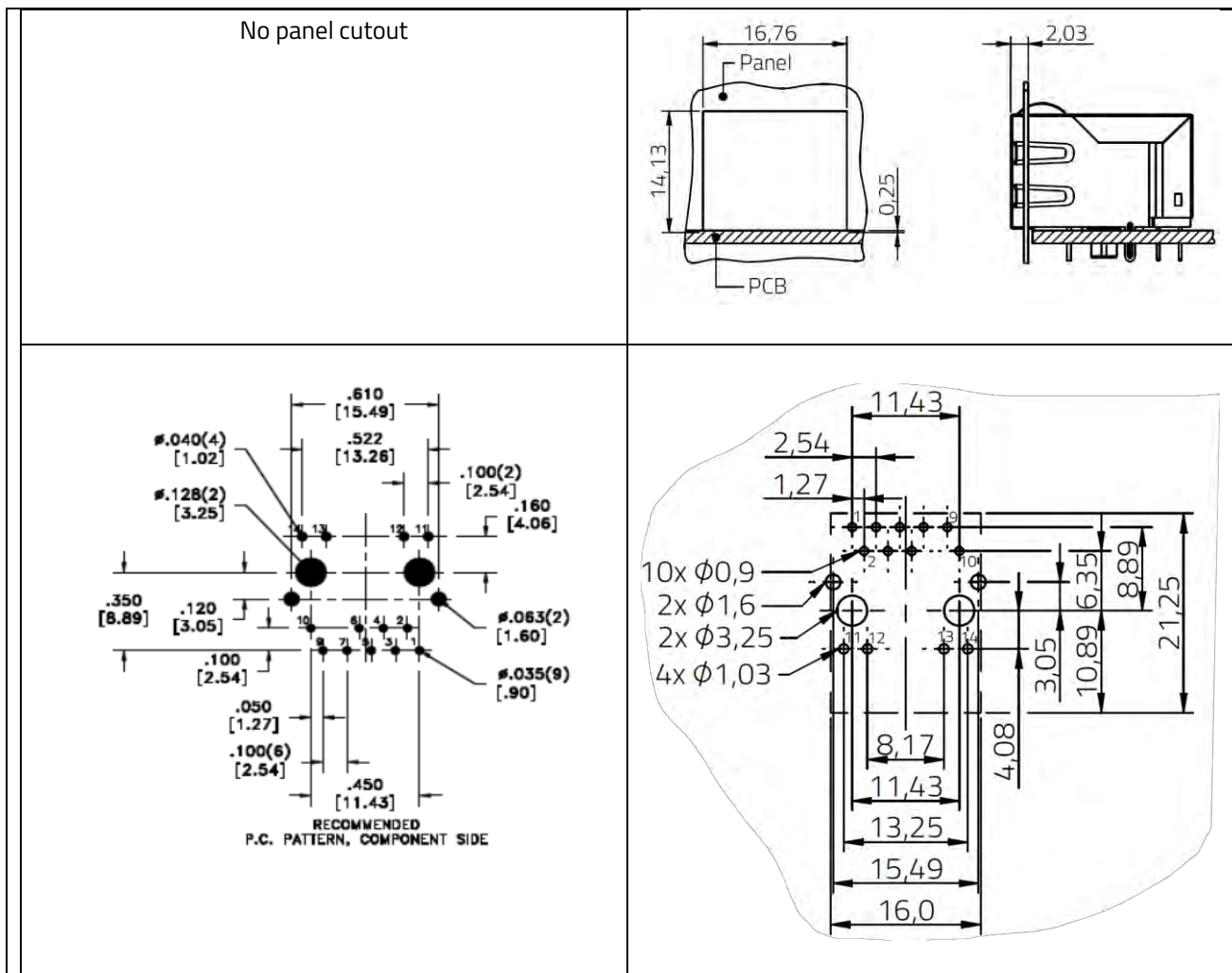
	
<p>Return Loss: 1-30 MHz 30-45 MHz 45-60 MHz 60-80 MHz</p>	<p>Return Loss: 1-30 MHz 30-60 MHz 60-80 MHz 80-100 MHz</p>
<p>Common Mode Rejection: 1-100 MHz</p>	<p>Common Mode Rejection: 1-30 MHz 30-60 MHz 60-100 MHz</p>
<p>Crosstalk: 1-100 MHz</p>	<p>Crosstalk: 1-60 MHz 60-100 MHz</p>
<p>No panel cutout</p>	



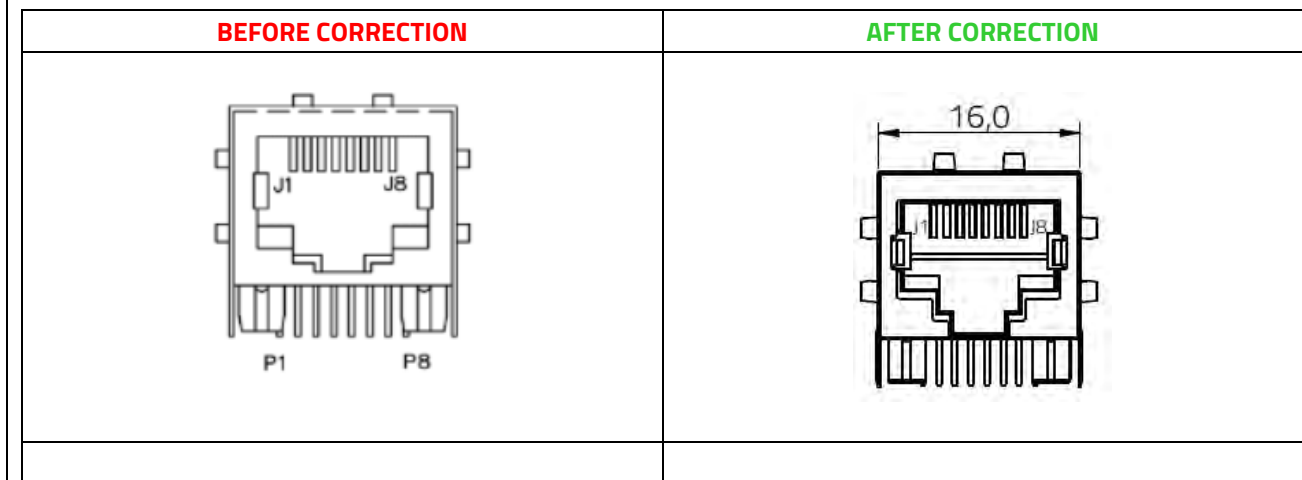
7499211260:

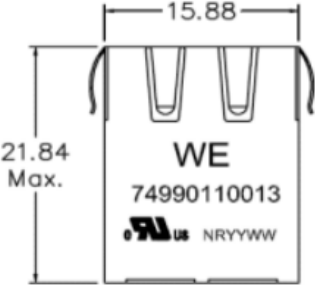
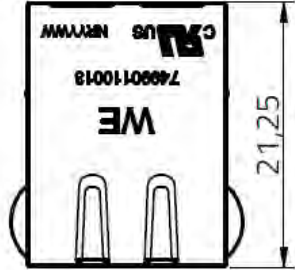
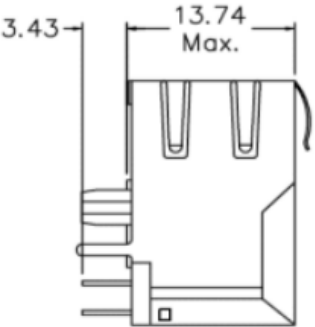
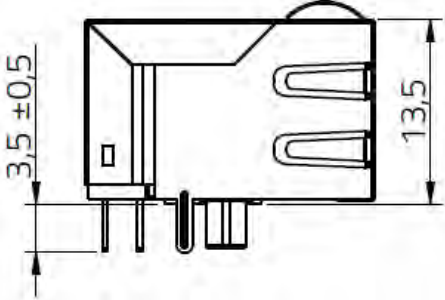
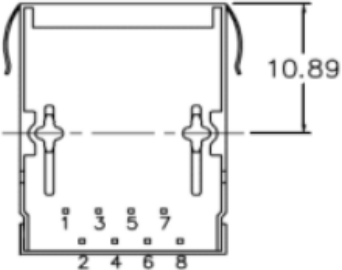
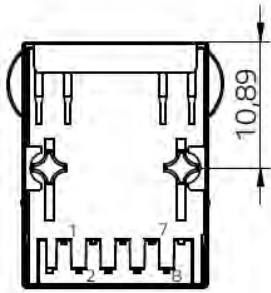


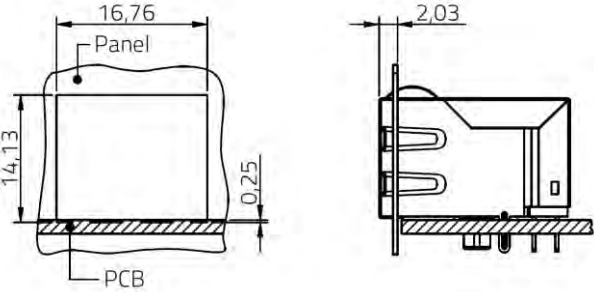
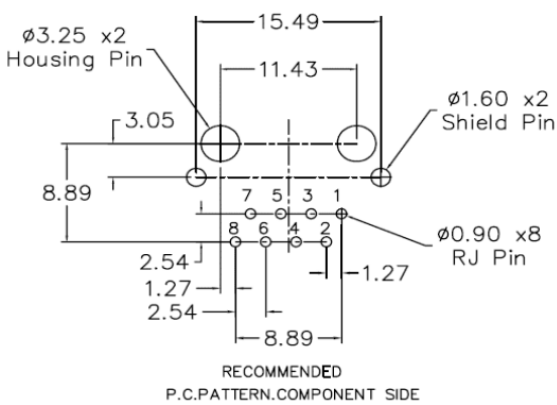
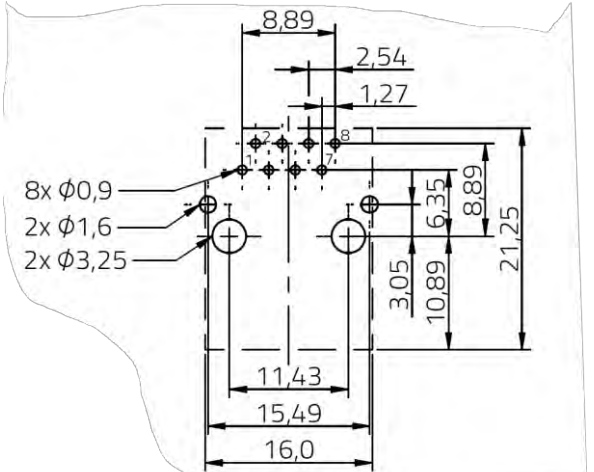
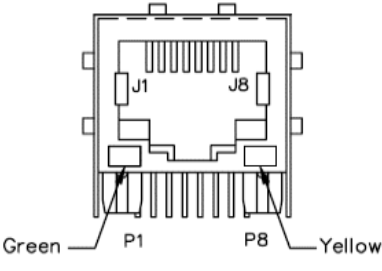
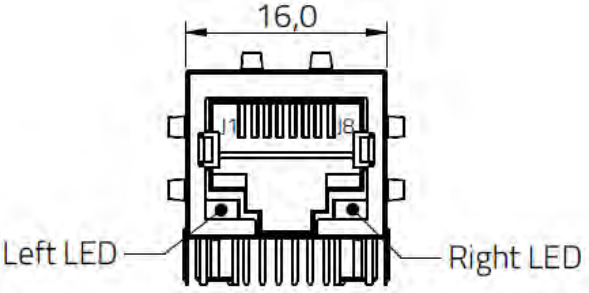
	
	
<p>Return Loss: 1-10 MHz 10-30 MHz 30-60 MHz 60-80 MHz</p>	<p>Return Loss: 1-30 MHz 30-60 MHz 60-80 MHz 80-100 MHz</p>
<p>Common Mode Rejection: 1-100 MHz</p>	<p>Common Mode Rejection: 1-30 MHz 30-60 MHz 60-100 MHz</p>
<p>Crosstalk: 1-100 MHz</p>	<p>Crosstalk: 1-60 MHz 60-100 MHz</p>

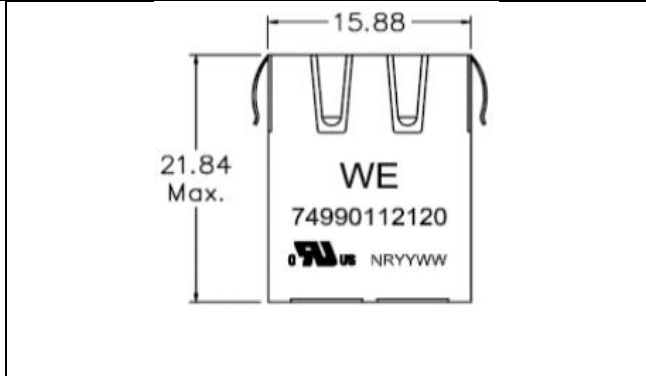
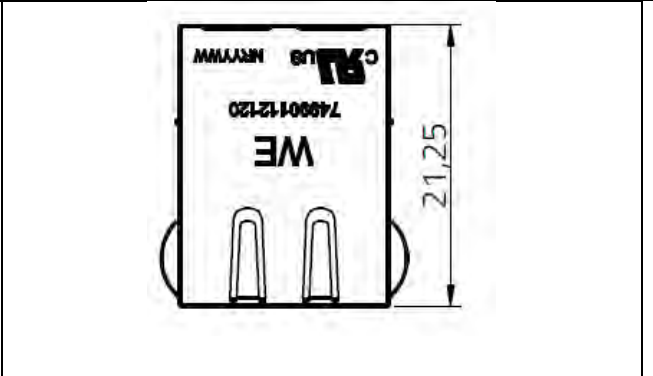
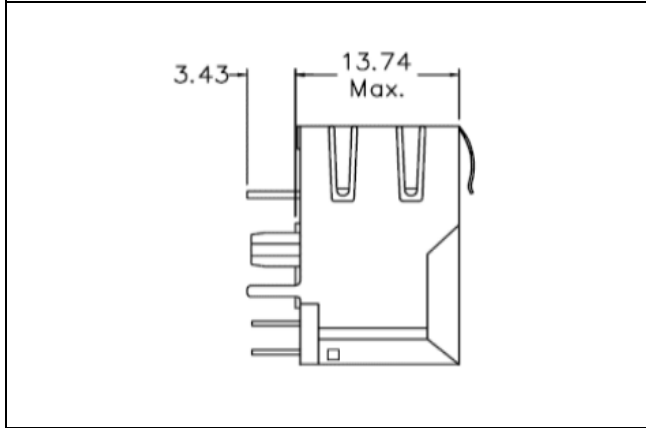
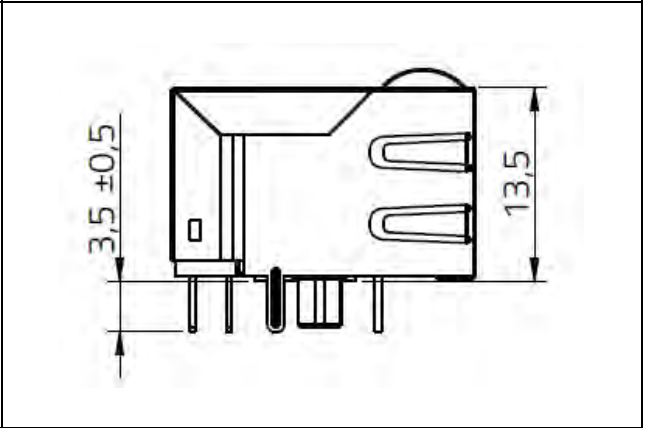
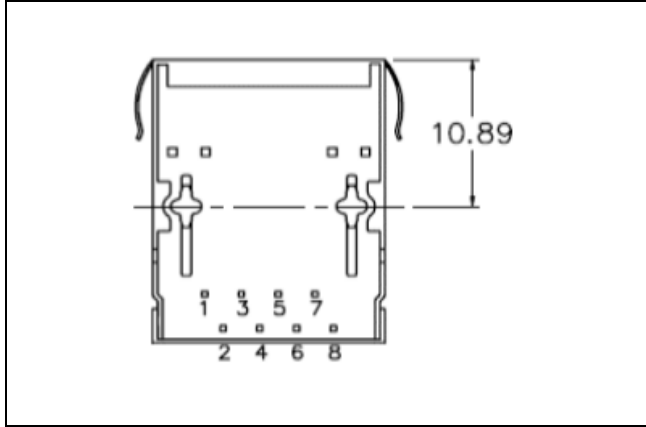
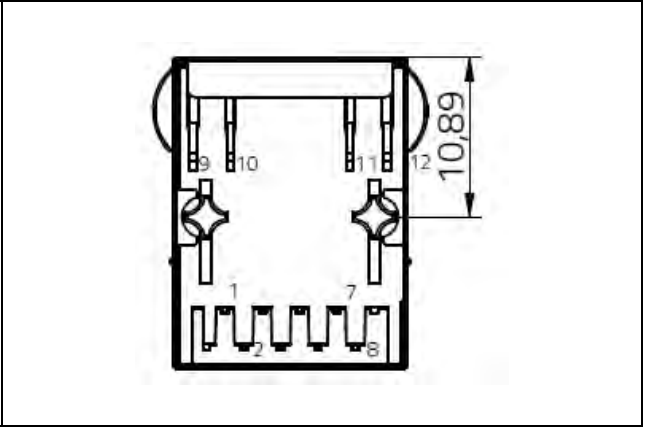


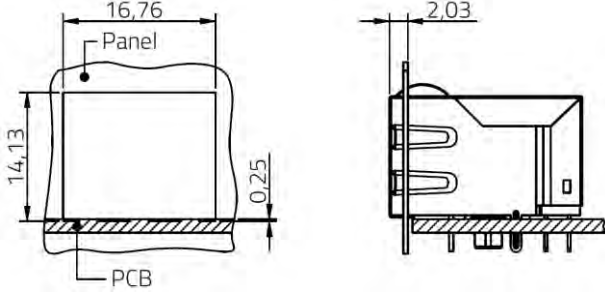
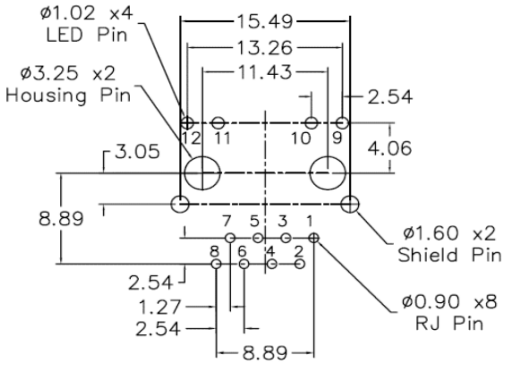
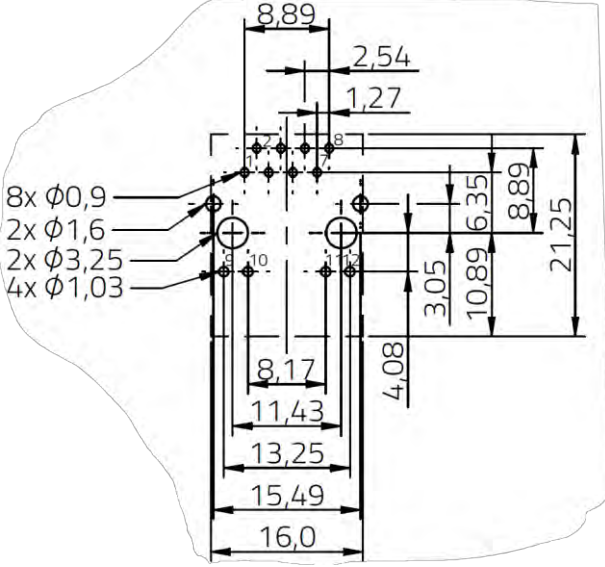
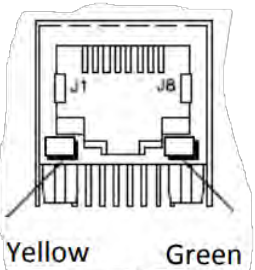
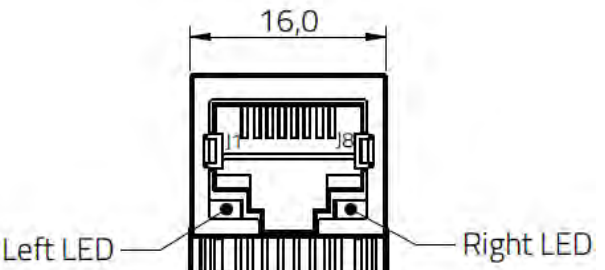
74990110013

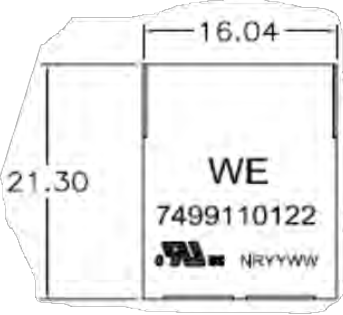

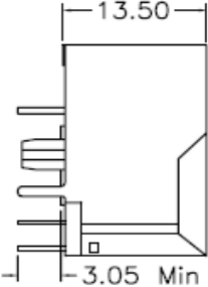
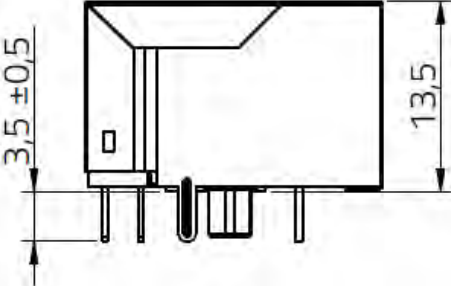
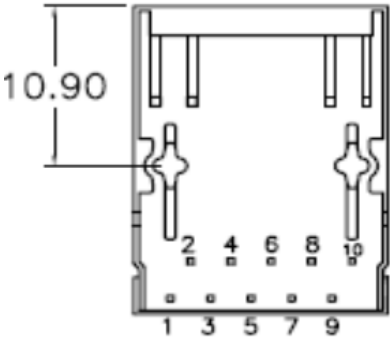
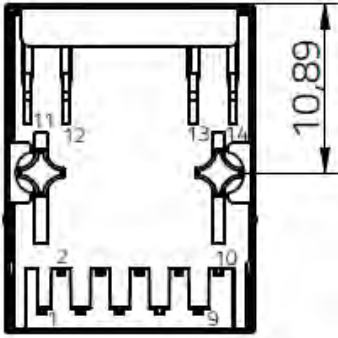


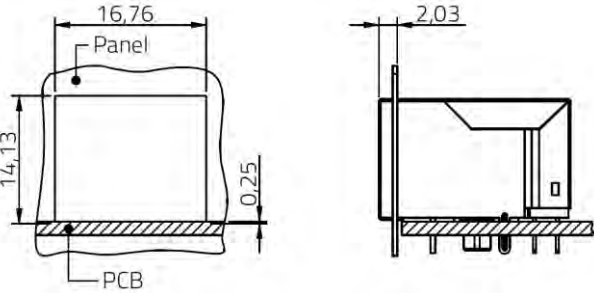
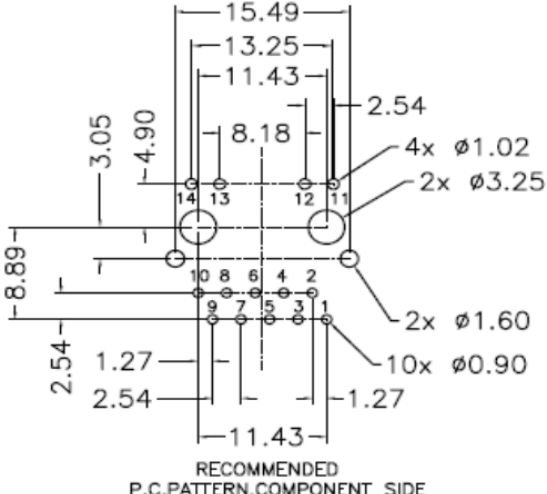
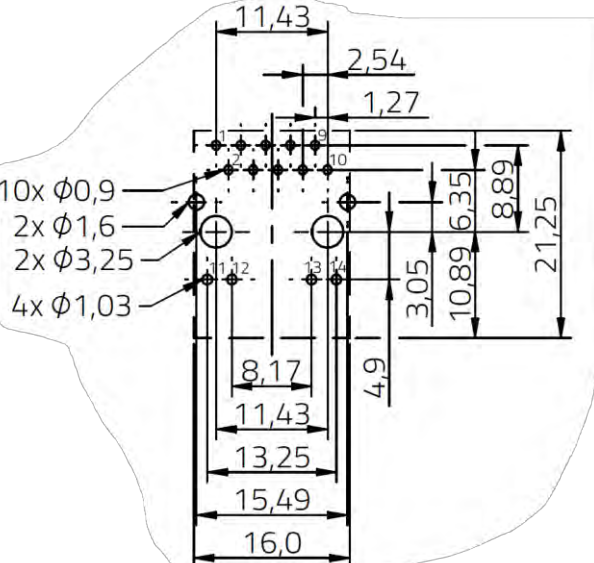
	
	
	
<p>Return Loss: 1-30 MHz 30-45 MHz 45-60 MHz 60-80 MHz</p>	<p>Return Loss: 1-30 MHz 30-60 MHz 60-80 MHz 80-100 MHz</p>
<p>Common Mode Rejection: 1-100 MHz 100-500 MHz</p>	<p>Common Mode Rejection: 1-30 MHz 30-60 MHz 60-100 MHz</p>
<p>Crosstalk: 1-100 MHz</p>	<p>Crosstalk: 1-60 MHz 60-100 MHz</p>

<p>No panel cutout</p>	
	
<p>74990112120:</p>	
<p style="text-align: center;">BEFORE CORRECTION</p> 	<p style="text-align: center;">AFTER CORRECTION</p> 

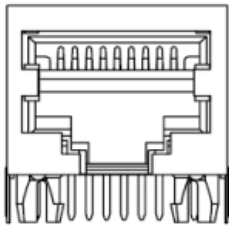
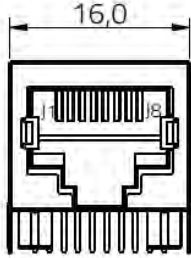
	
	
	
<p>Return Loss: 1-30 MHz 30-45 MHz 45-60 MHz 60-80 MHz</p>	<p>Return Loss: 1-30 MHz 30-60 MHz 60-80 MHz 80-100 MHz</p>
<p>Common Mode Rejection: 1-100 MHz</p>	<p>Common Mode Rejection: 1-30 MHz 30-60 MHz 60-100 MHz</p>

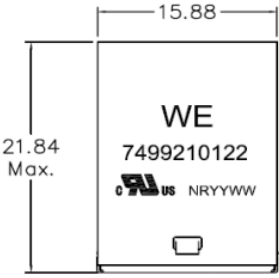

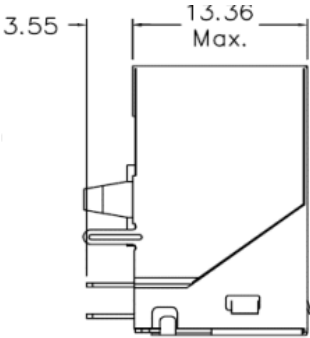
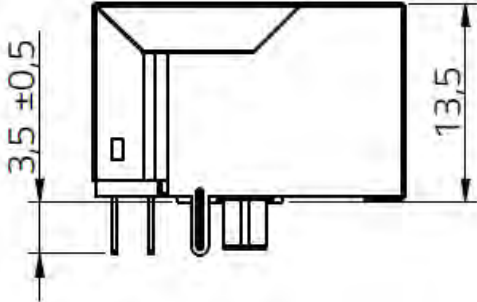
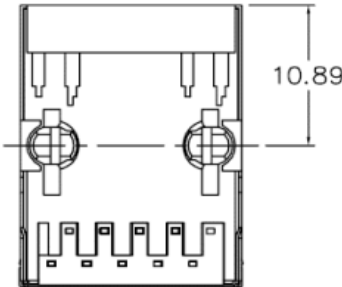
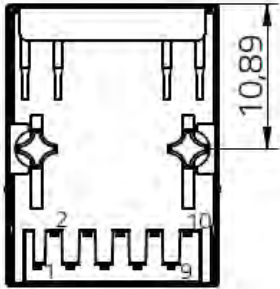
<p>Crosstalk: 1-100 MHz</p>	<p>Crosstalk: 1-60 MHz 60-100 MHz</p>
<p>No panel cutout</p>	
 <p>RECOMMENDED P.C.PATTERN.COMPONENT SIDE</p>	
<p>7499110122:</p>	
<p>BEFORE CORRECTION</p>	<p>AFTER CORRECTION</p>
	

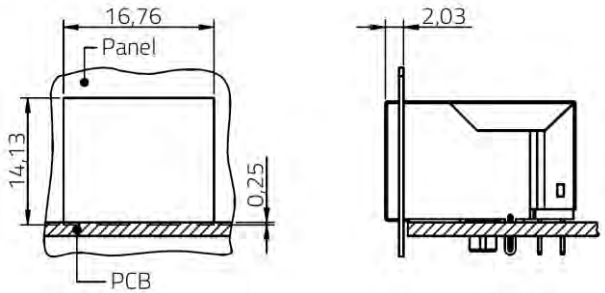
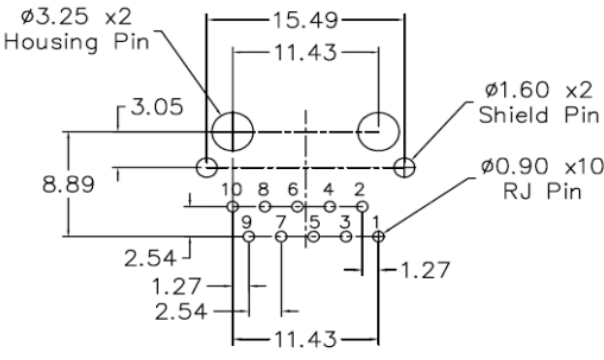
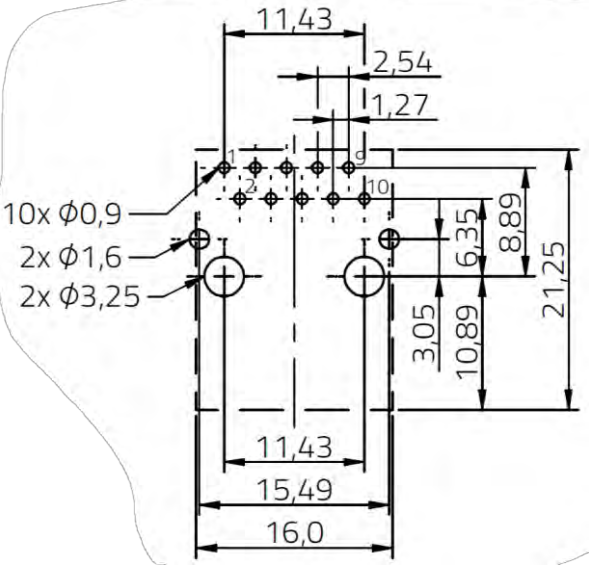
	
	
	
<p>Return Loss: 1-30 MHz 40 MHz 50 MHz 60-100 MHz</p>	<p>Return Loss: 1-30 MHz 30-60 MHz 60-80 MHz 80-100 MHz</p>
<p>Common Mode Rejection: 1-100 MHz</p>	<p>Common Mode Rejection: 1-30 MHz 30-60 MHz</p>

<p>Crosstalk: 1-100 MHz</p>	<p>60-100 MHz Crosstalk: 1-60 MHz 60-100 MHz</p>
<p>No panel cutout</p>	
 <p>RECOMMENDED P.C.PATTERN.COMPONENT SIDE</p>	

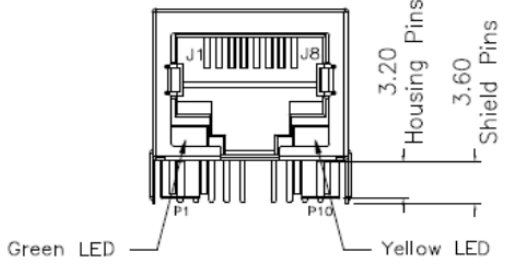
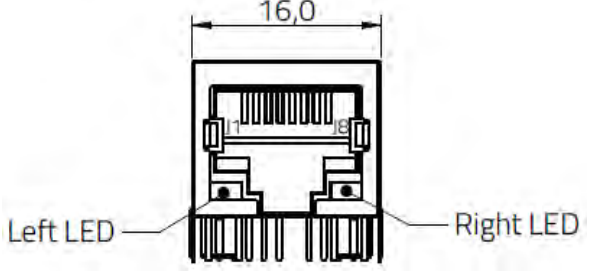
7499210122:

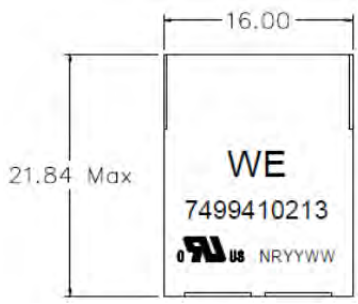
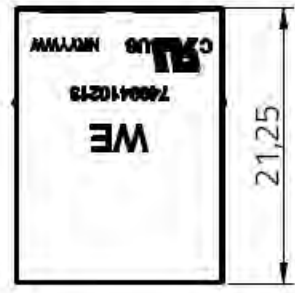
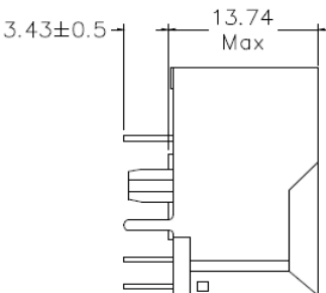
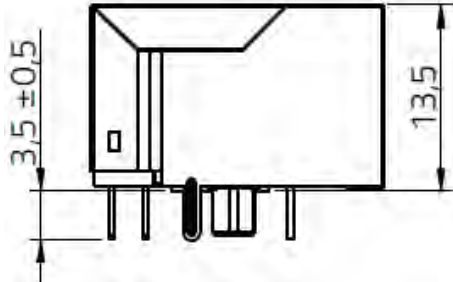
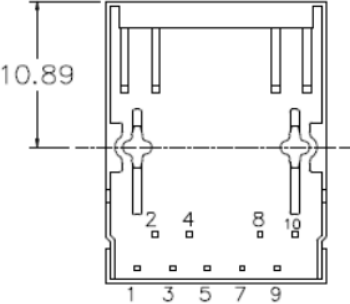
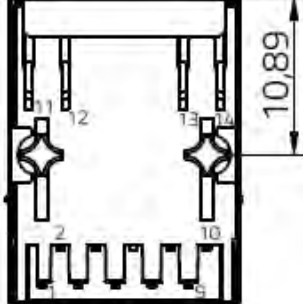
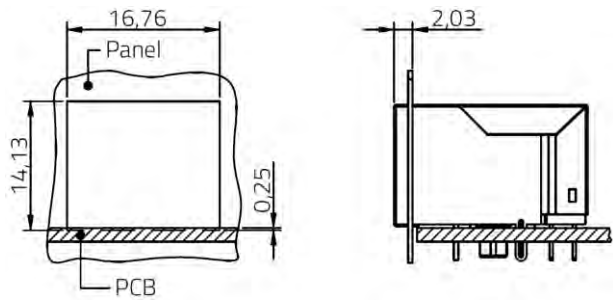
<p>BEFORE CORRECTION</p>	<p>AFTER CORRECTION</p>
	

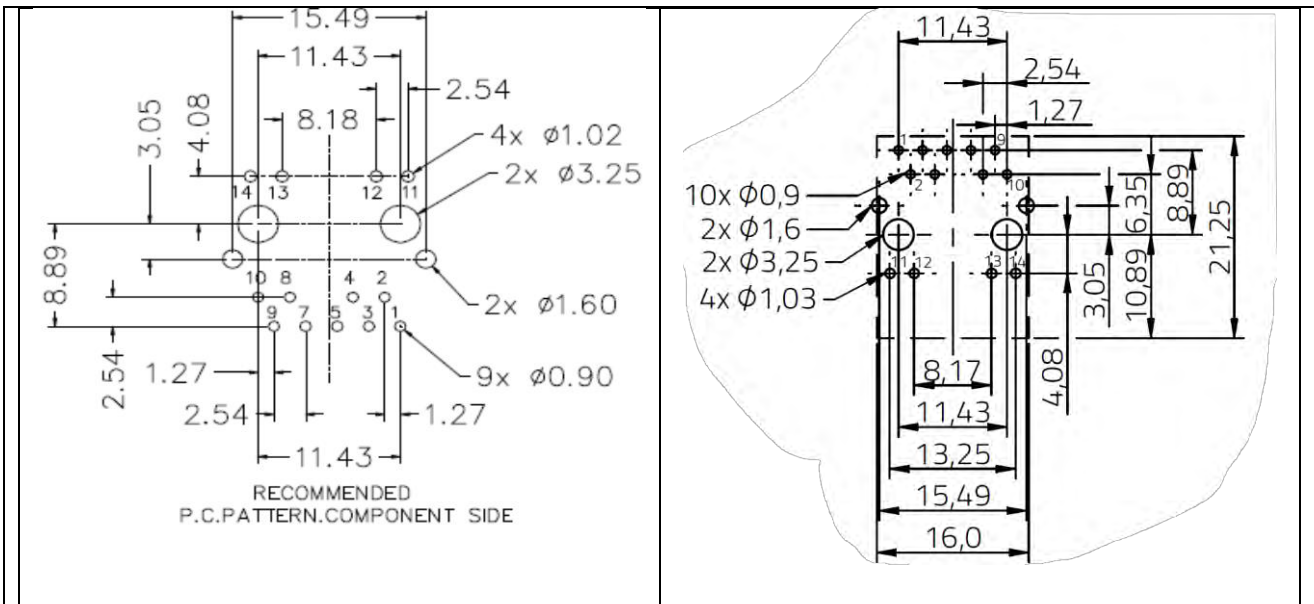
	
	
	
<p>Return Loss: 1-30 MHz 30-45 MHz 45-60 MHz 60-80 MHz</p>	<p>Return Loss: 1-30 MHz 30-60 MHz 60-80 MHz 80-100 MHz</p>
<p>Common Mode Rejection: 1-100 MHz</p>	<p>Common Mode Rejection: 1-30 MHz 30-60 MHz 60-100 MHz</p>

<p>Crosstalk: 1-100 MHz</p>	<p>Crosstalk: 1-60 MHz 60-100 MHz</p>
<p>No panel cutout</p>	
 <p>RECOMMENDED P.C.PATTERN.COMPONENT SIDE</p>	

7499410213:

<p>BEFORE CORRECTION</p>	<p>AFTER CORRECTION</p>
	

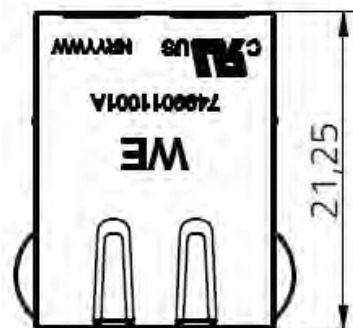
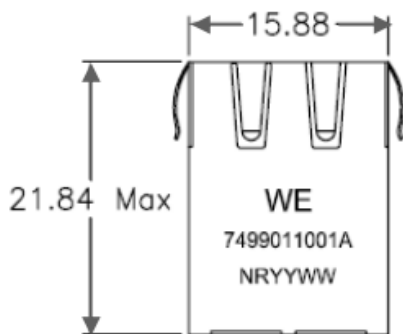
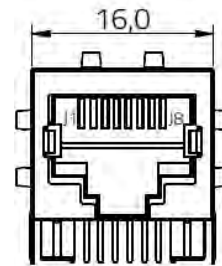
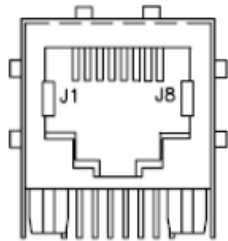
	
	
	
<p>No panel cutout</p>	

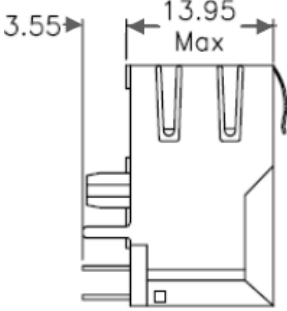
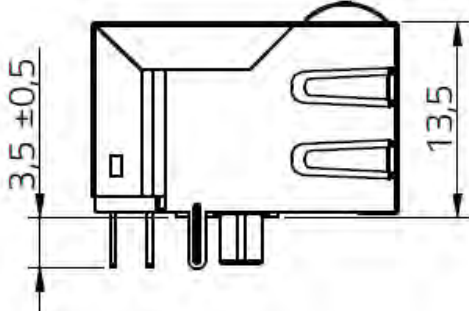
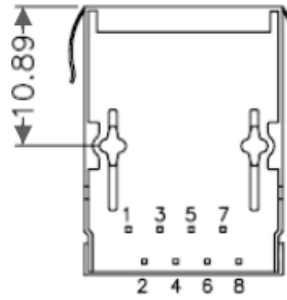
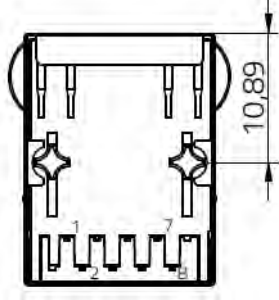
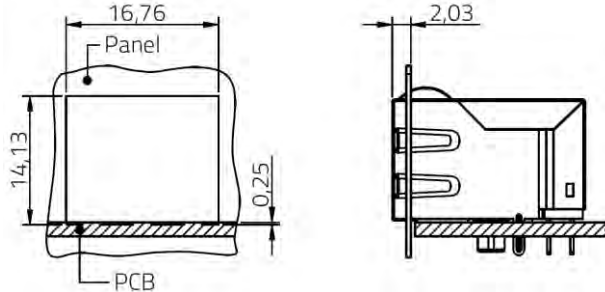


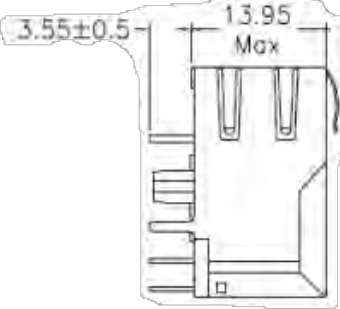
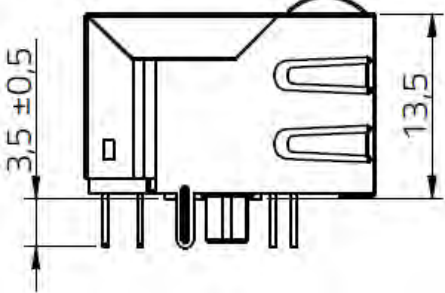
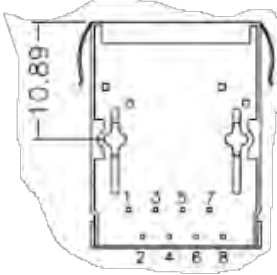
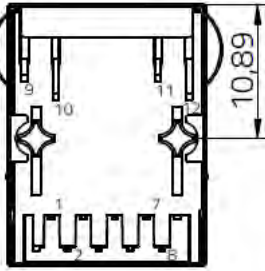
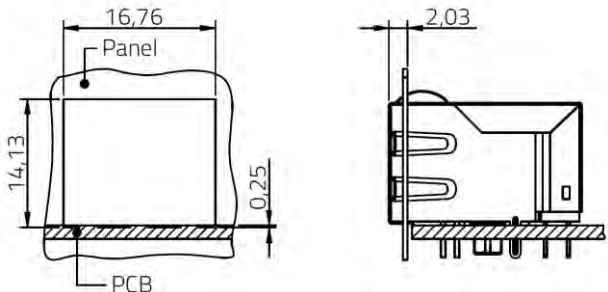
7499011001A:

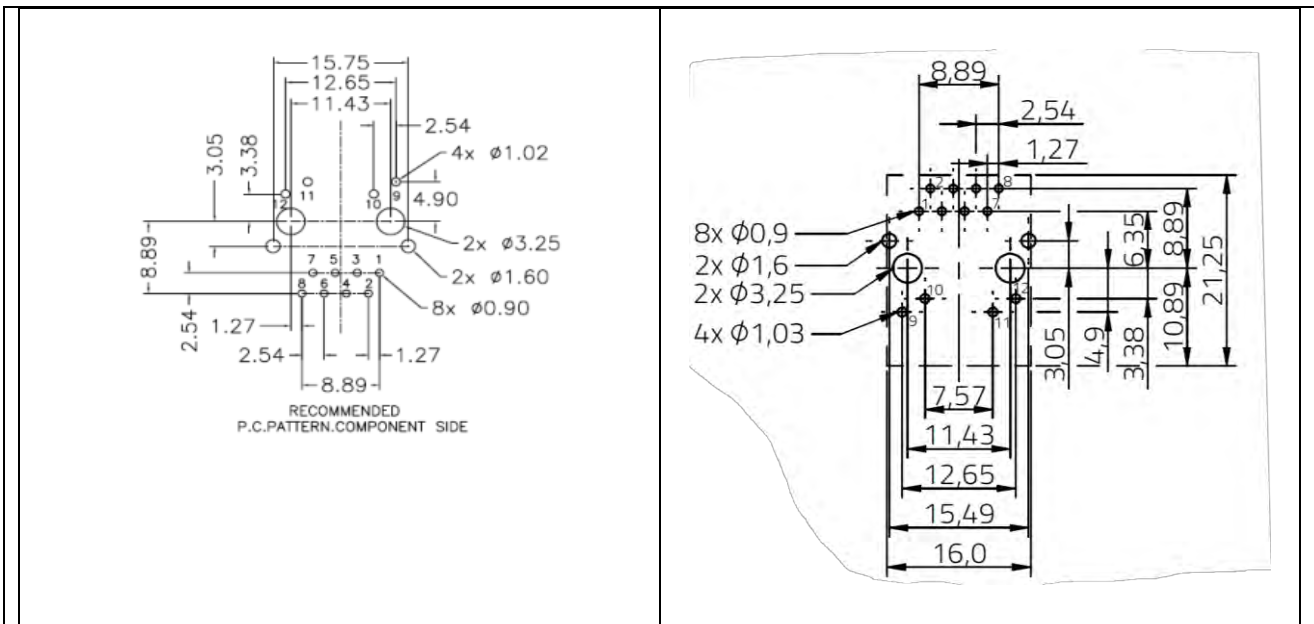
BEFORE CORRECTION

AFTER CORRECTION

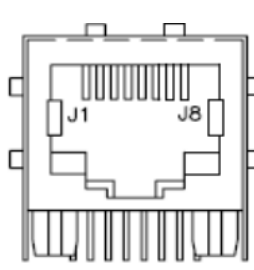
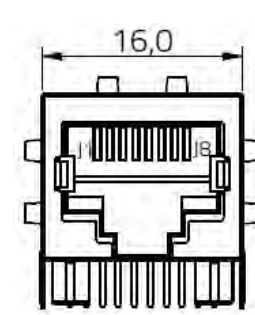
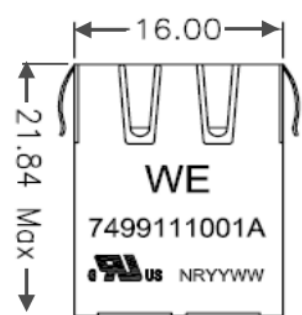
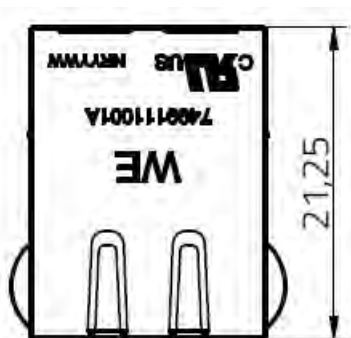


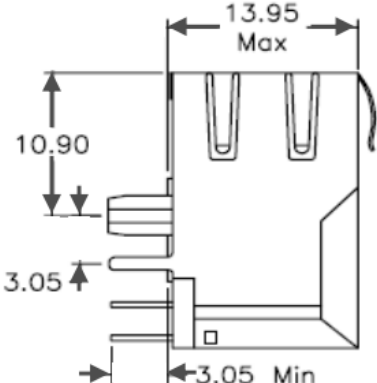
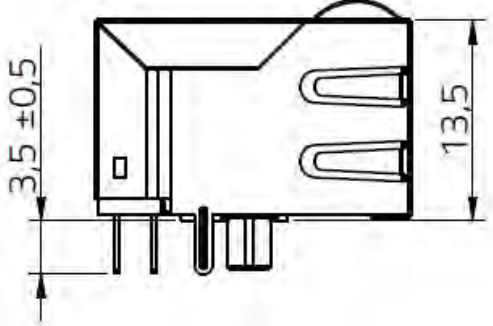
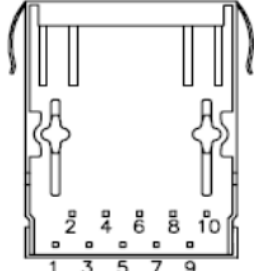
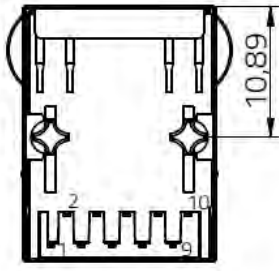
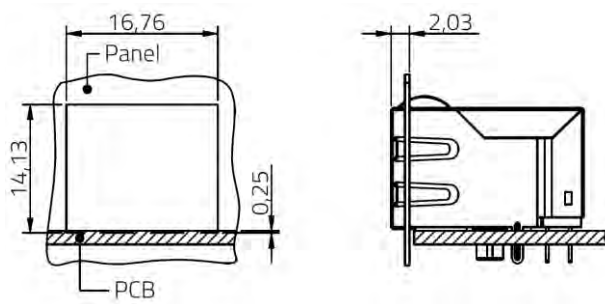
	
	
<p>Return Loss: 1-30 MHz 30-45 MHz 45-60 MHz 60-80 MHz</p>	<p>Return Loss: 1-30 MHz 30-60 MHz 60-80 MHz 80-100 MHz</p>
<p>Common Mode Rejection: 1-100 MHz</p>	<p>Common Mode Rejection: 1-30 MHz 30-60 MHz 60-100 MHz</p>
<p>Crosstalk: 1-100 MHz</p>	<p>Crosstalk: 1-60 MHz 60-100 MHz</p>
<p>No panel cutout</p>	

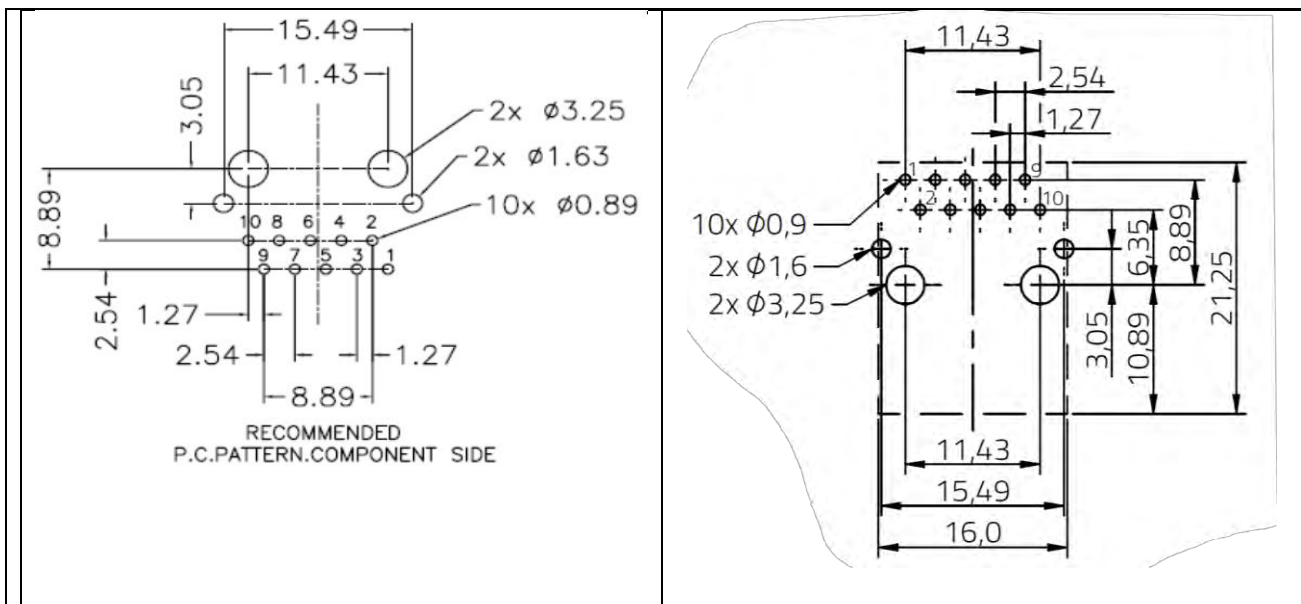
	
	
<p>Return Loss: 1-30 MHz 30-45 MHz 45-60 MHz 60-80 MHz</p>	<p>Return Loss: 1-30 MHz 30-60 MHz 60-80 MHz 80-100 MHz</p>
<p>Common Mode Rejection: 1-100 MHz</p>	<p>Common Mode Rejection: 1-30 MHz 30-60 MHz 60-100 MHz</p>
<p>Crosstalk: 1-100 MHz</p>	<p>Crosstalk: 1-60 MHz 60-100 MHz</p>
<p>No panel cutout</p>	



7499111001A:

BEFORE CORRECTION	AFTER CORRECTION
	
	

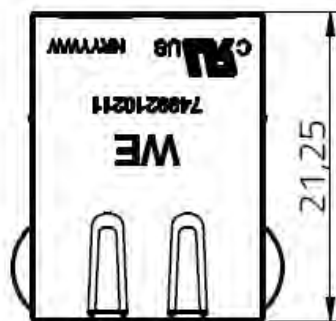
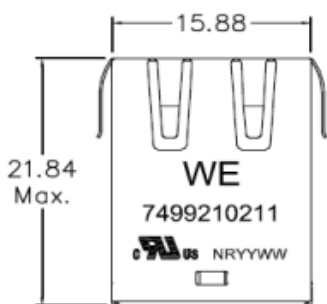
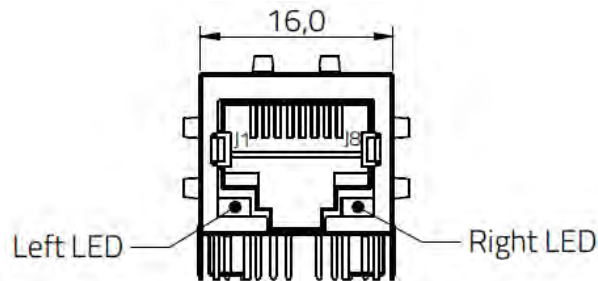
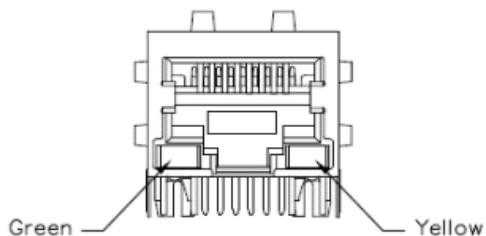
	
	
<p>Common Mode Rejection: 1-100 MHz</p>	<p>Common Mode Rejection: 1-30 MHz 30-60 MHz 60-100 MHz</p>
<p>Crosstalk: 1-100 MHz</p>	<p>Crosstalk: 1-60 MHz 60-100 MHz</p>
<p>No panel cutout</p>	

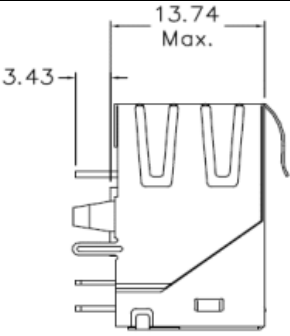
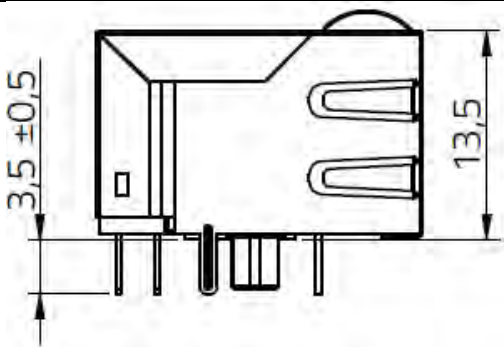
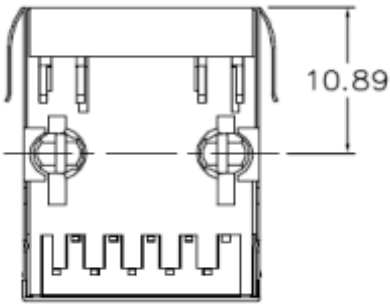
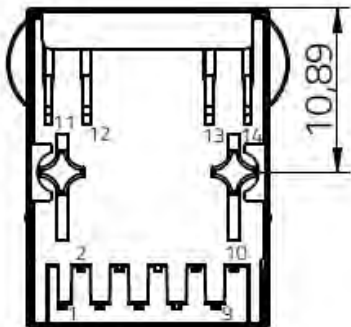


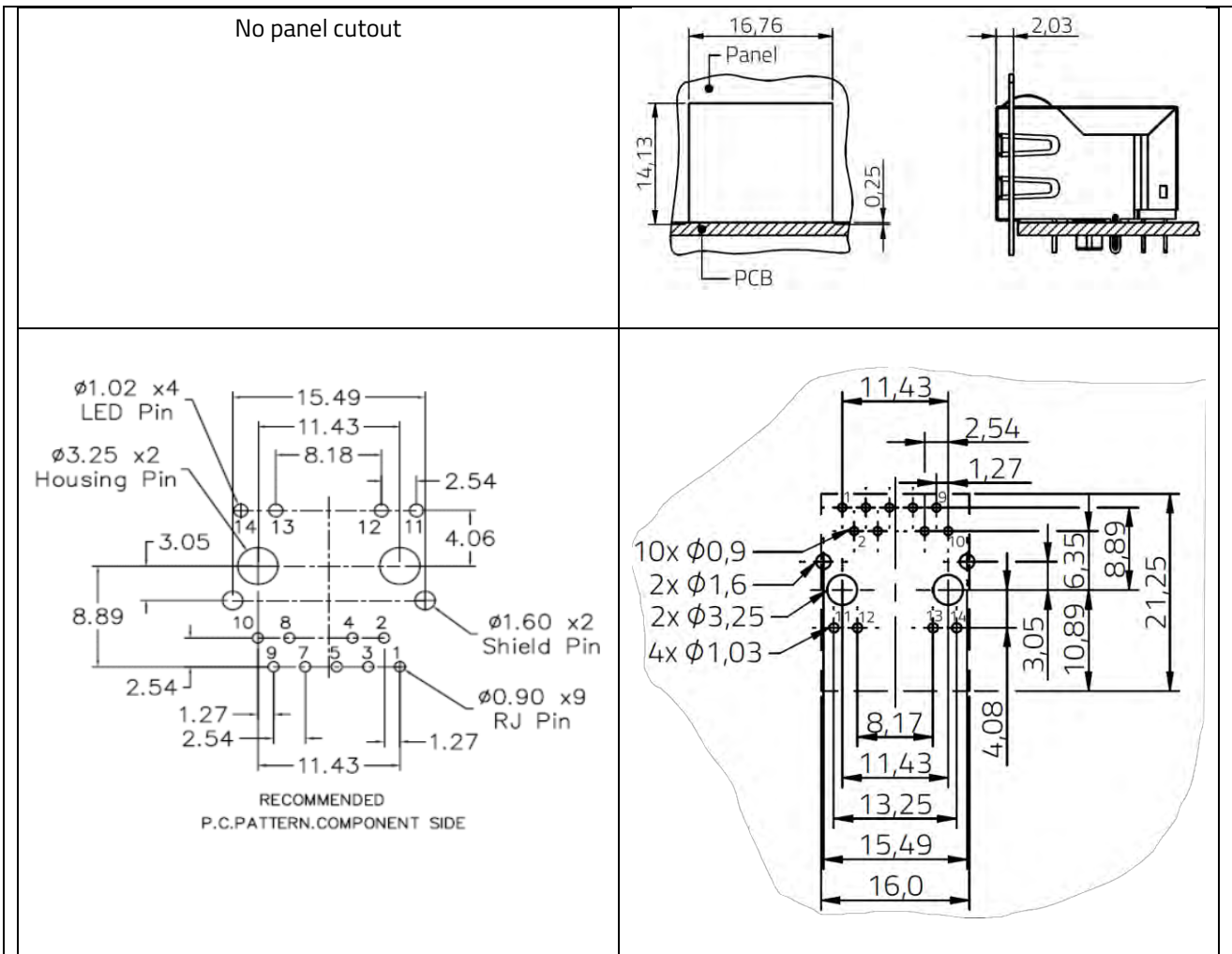
7499210211:

BEFORE CORRECTION

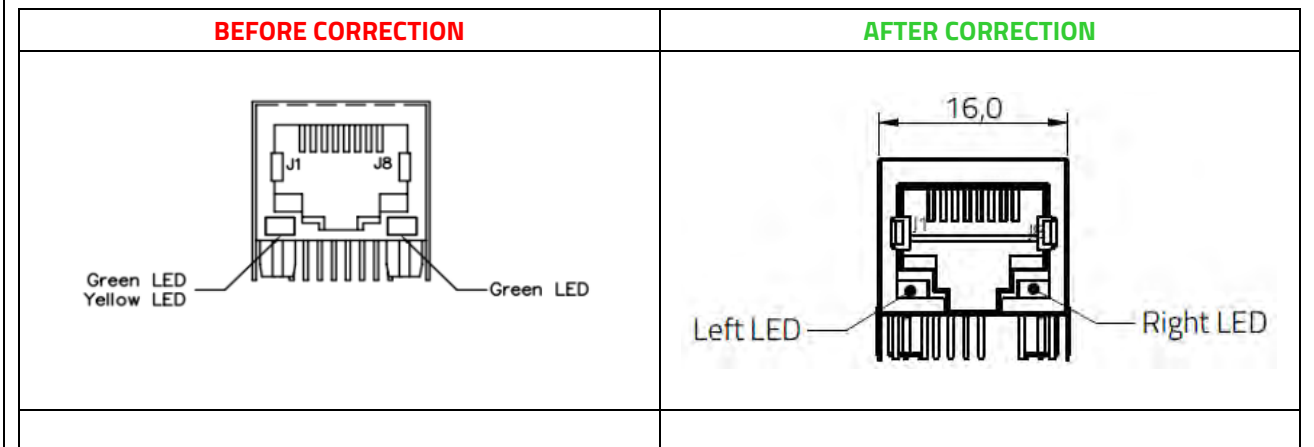
AFTER CORRECTION

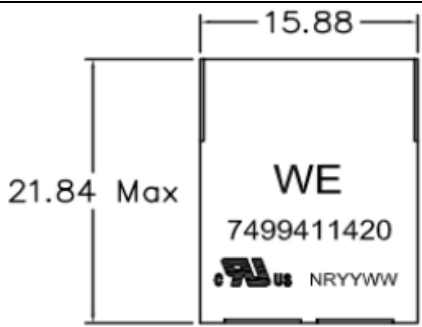

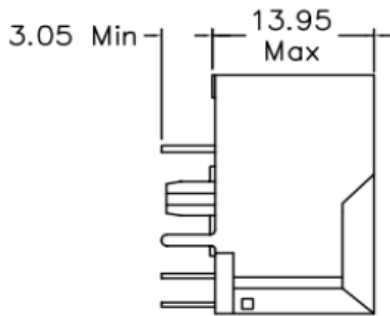
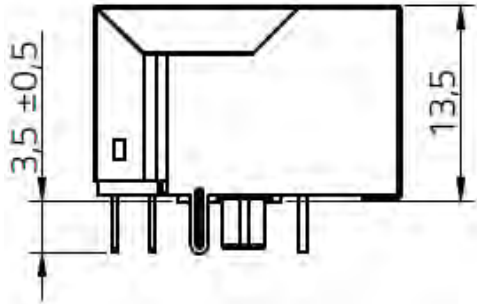
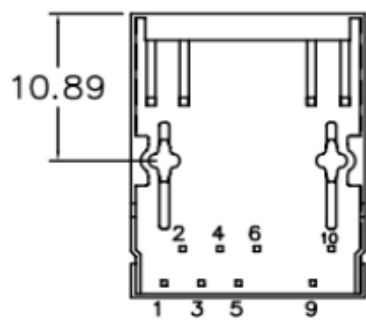
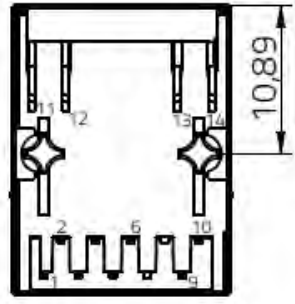


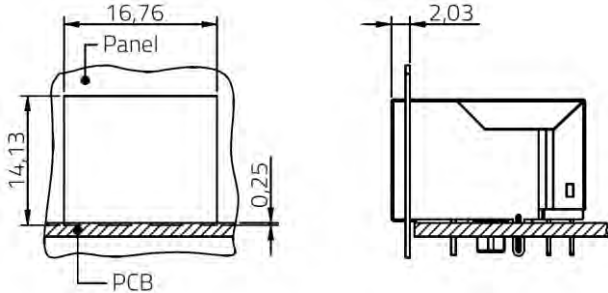
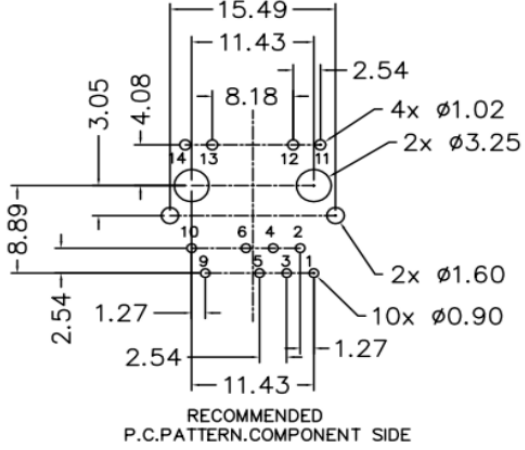
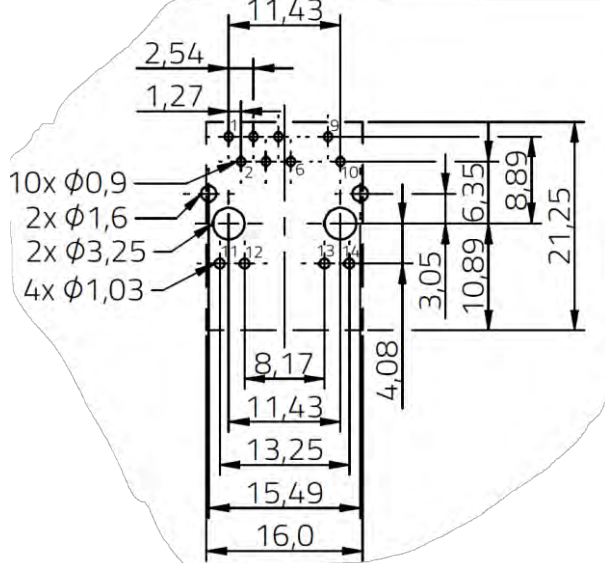
	
	
<p>Return Loss: 1-30 MHz 30-45 MHz 45-60 MHz 60-80 MHz</p>	<p>Return Loss: 1-30 MHz 30-60 MHz 60-80 MHz 80-100 MHz</p>
<p>Common Mode Rejection: 1-100 MHz</p>	<p>Common Mode Rejection: 1-30 MHz 30-60 MHz 60-100 MHz</p>
<p>Crosstalk: 1-100 MHz</p>	<p>Crosstalk: 1-60 MHz 60-100 MHz</p>



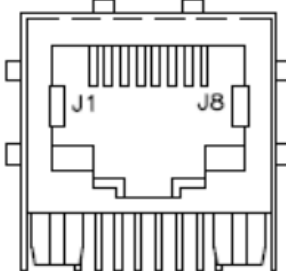
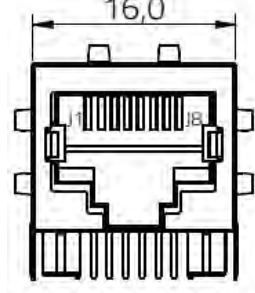
7499410420:

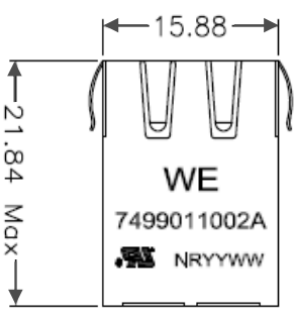
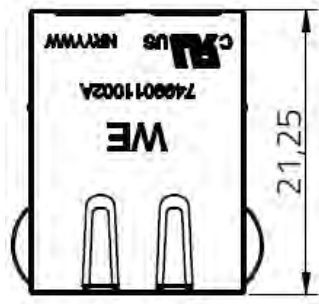
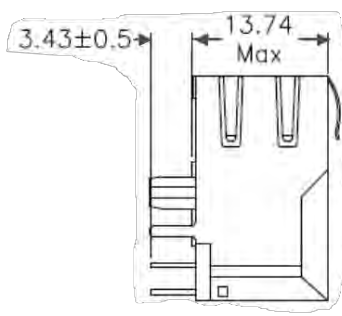
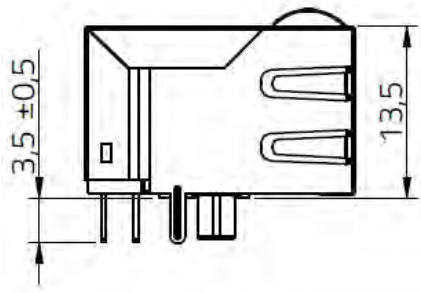
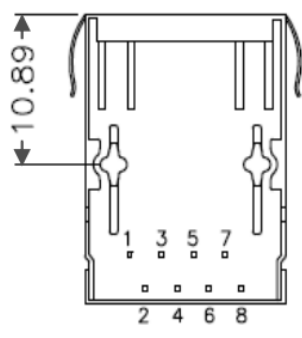
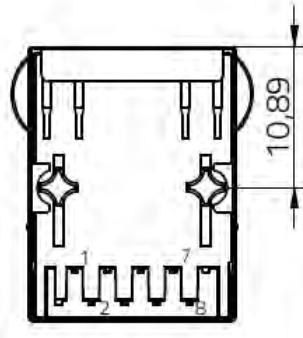


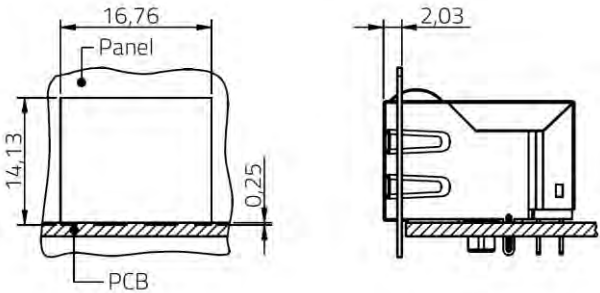
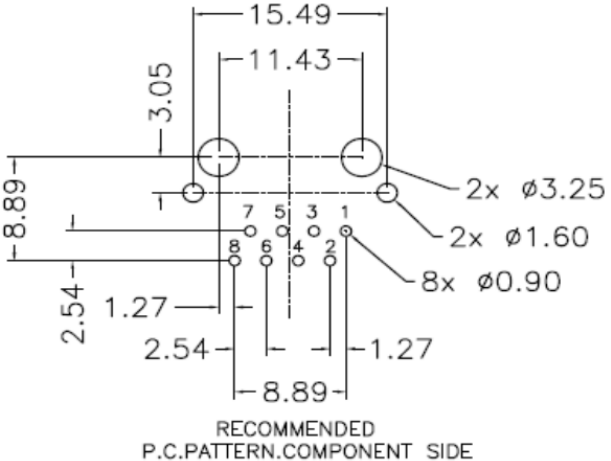
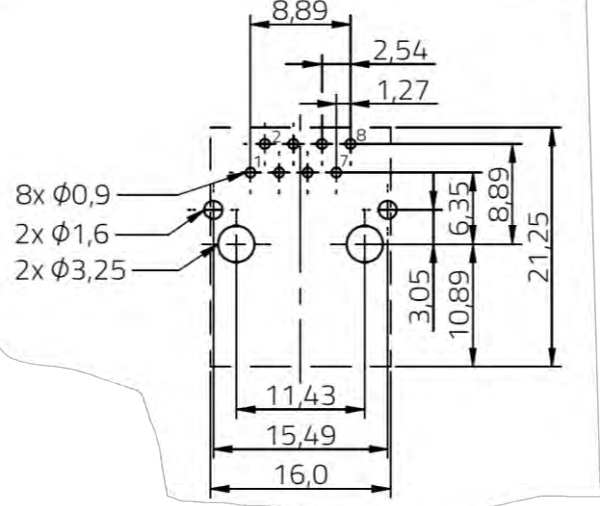
	
	
	
<p>Return Loss: 0,5-30 MHz 30-45 MHz 45-60 MHz 60-80 MHz</p>	<p>Return Loss: 1-30 MHz 30-60 MHz 60-80 MHz 80-100 MHz</p>
<p>Common Mode Rejection: 0,5-100 MHz</p>	<p>Common Mode Rejection: 1-30 MHz 30-60 MHz 60-100 MHz</p>

<p>Crosstalk: 0,5-40 MHz 40-100 MHz</p>	<p>Crosstalk: 1-60 MHz 60-100 MHz</p>
<p>No panel cutout</p>	
	

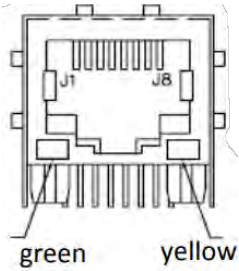
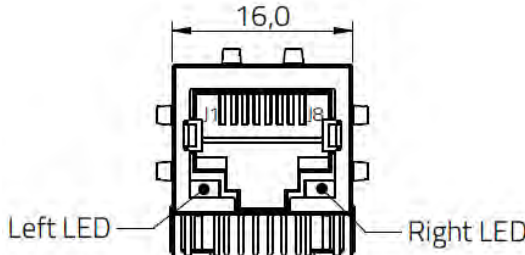
7499011002A:


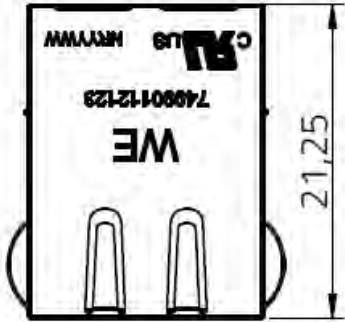
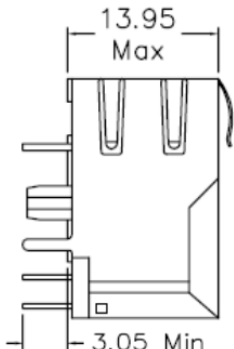
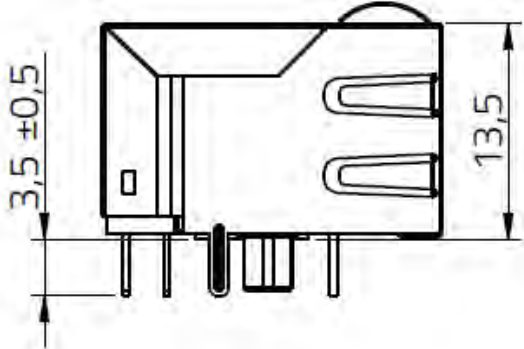
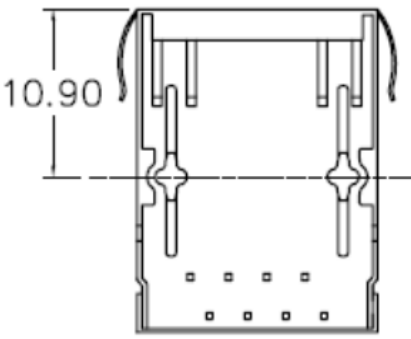
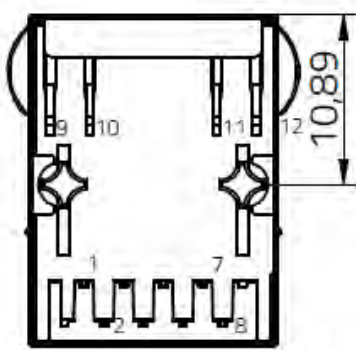
<p>BEFORE CORRECTION</p>	<p>AFTER CORRECTION</p>
	

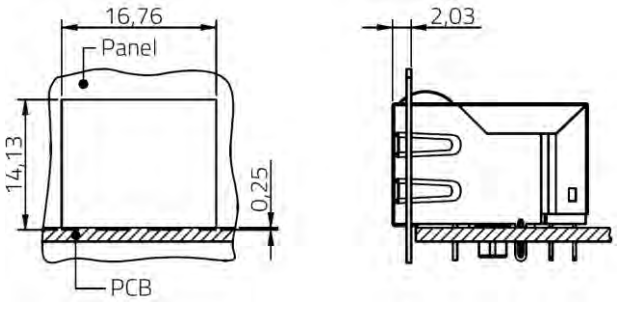
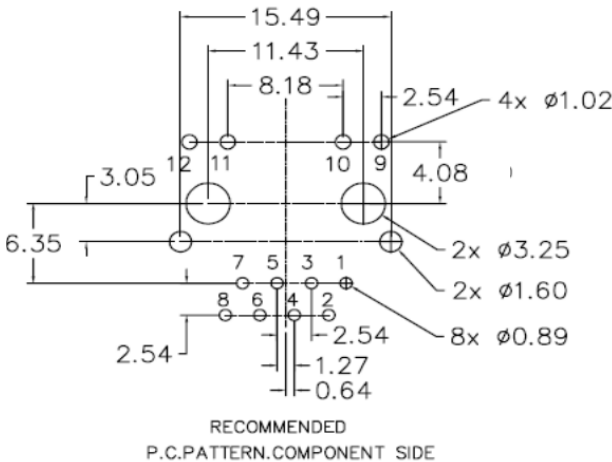
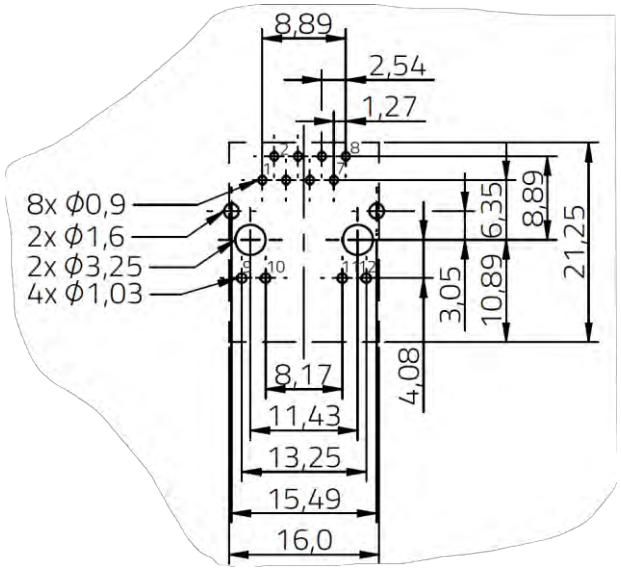
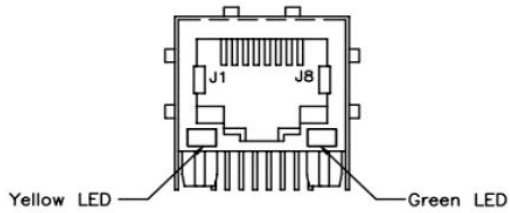
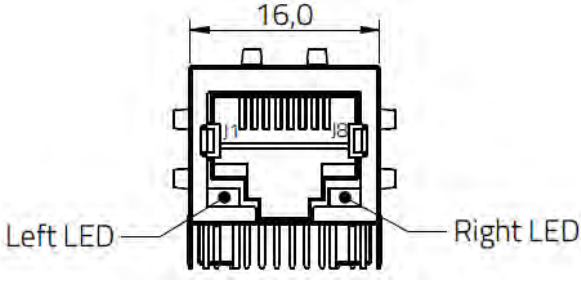
	
	
	
<p>Return Loss: 1-10 MHz 10-30 MHz 30-60 MHz 60-80 MHz</p>	<p>Return Loss: 1-30 MHz 30-60 MHz 60-80 MHz 80-100 MHz</p>
<p>Common Mode Rejection: 1-100 MHz</p>	<p>Common Mode Rejection: 1-30 MHz 30-60 MHz 60-100 MHz</p>

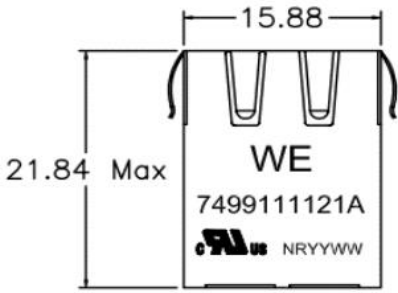
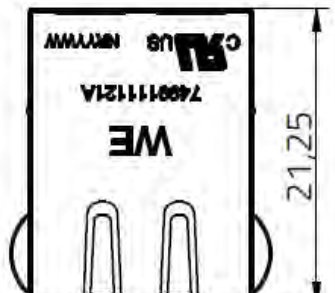
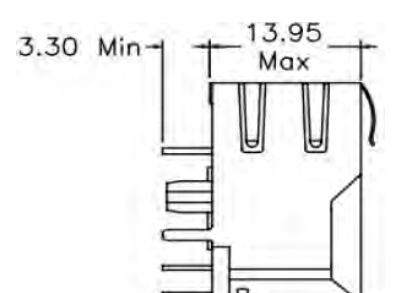
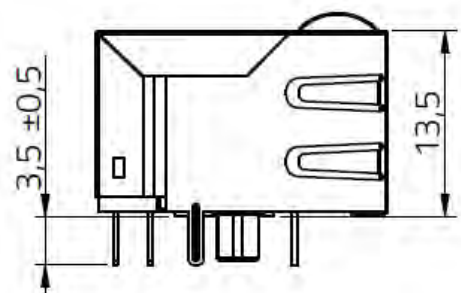
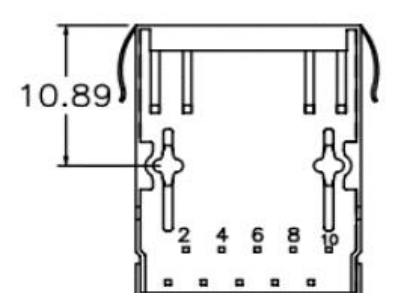
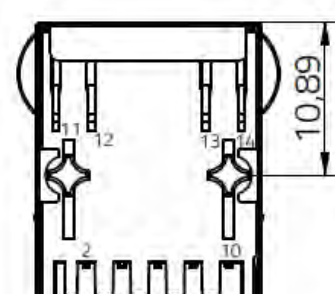
<p>Crosstalk: 1-30 MHz</p>	<p>Crosstalk: 1-60 MHz 60-100 MHz</p>
<p>No panel cutout</p>	
 <p>RECOMMENDED P.C.PATTERN.COMPONENT SIDE</p>	

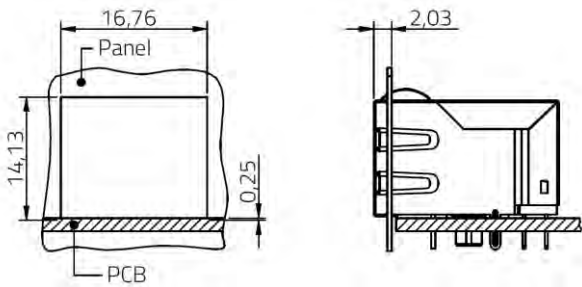
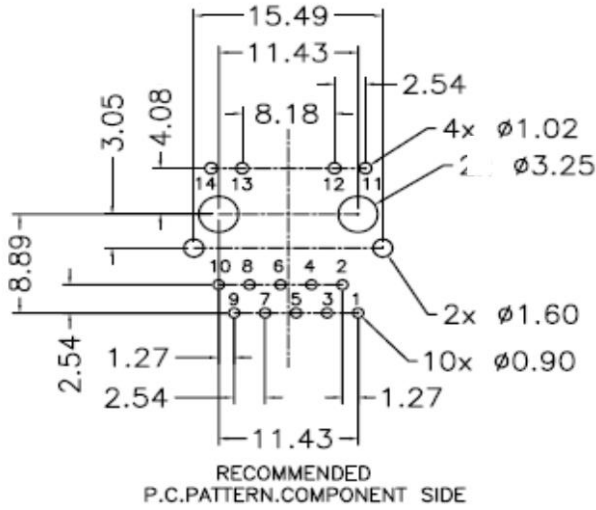
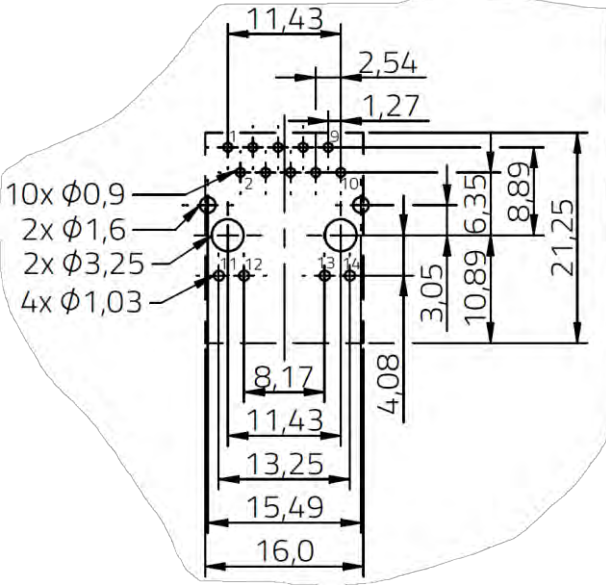
74990112123:

<p>BEFORE CORRECTION</p>	<p>AFTER CORRECTION</p>
	

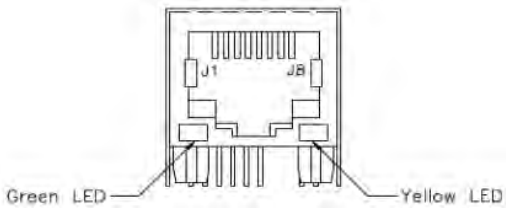
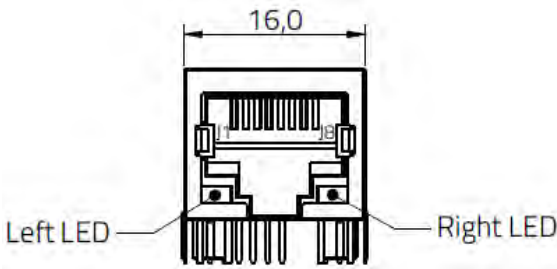
	
	
	
<p>Return Loss: 1-30 MHz 40 MHz 50 MHz 60-80 MHz</p>	<p>Return Loss: 1-30 MHz 30-60 MHz 60-80 MHz 80-100 MHz</p>

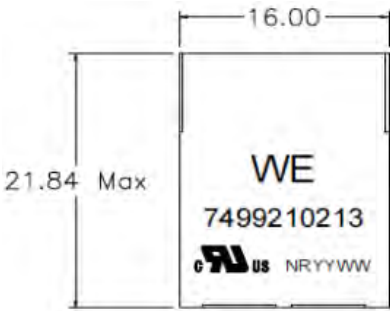
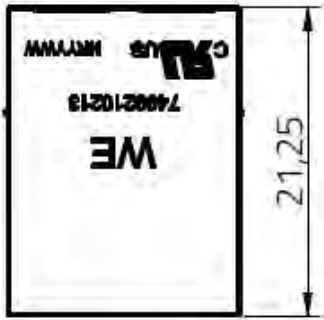
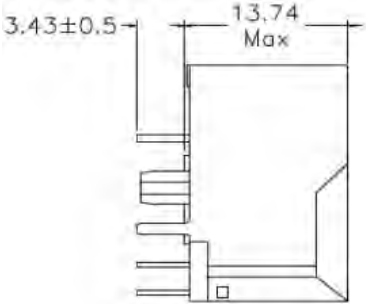
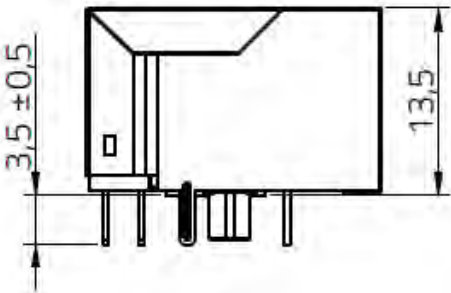
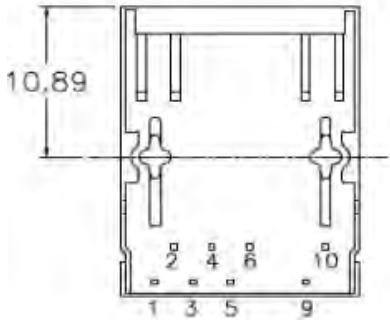
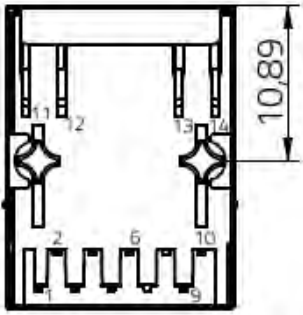
<p>Crosstalk: 60-100 MHz</p>	<p>Crosstalk: 1-60 MHz 60-100 MHz</p>
<p>No panel cutout</p>	
	
<p>7499111121A:</p>	
<p>BEFORE CORRECTION</p> 	<p>AFTER CORRECTION</p> 

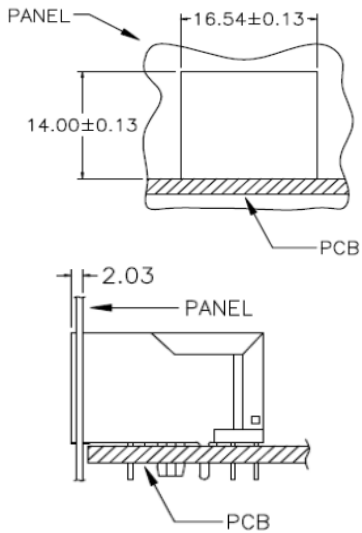
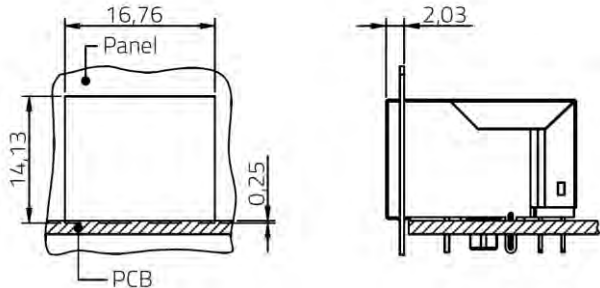
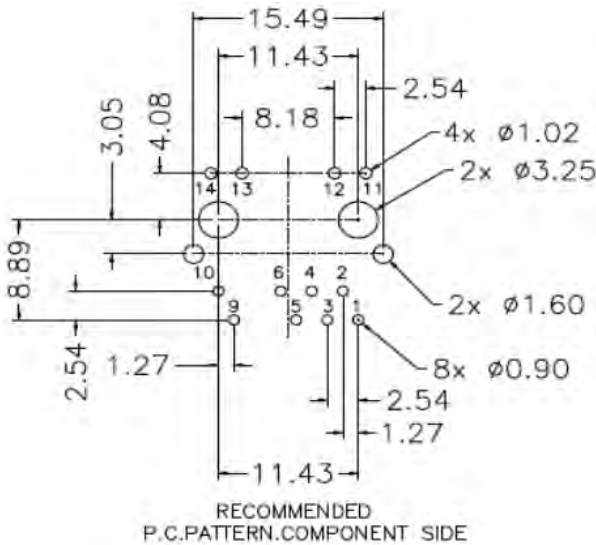
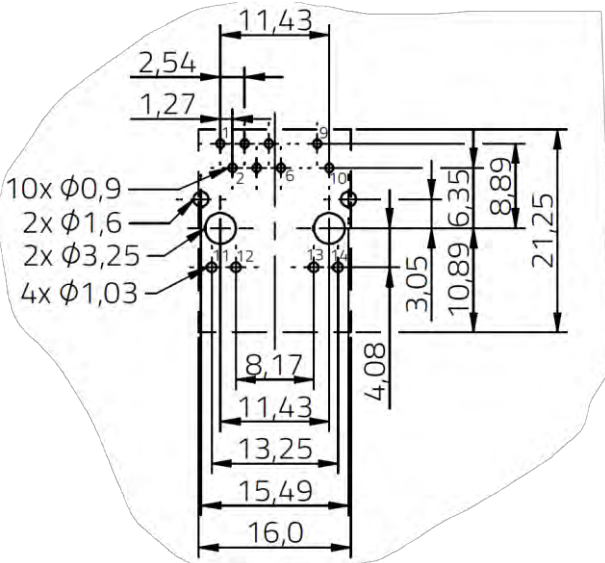
	
	
	
<p>Return Loss: 1-30 MHz 40-60 MHz 80-100 MHz</p>	<p>Return Loss: 1-30 MHz 30-60 MHz 60-80 MHz 80-100 MHz</p>
<p>Common Mode Rejection: 1-60 MHz 60-100 MHz</p>	<p>Common Mode Rejection: 1-30 MHz 30-60 MHz 60-100 MHz</p>

<p>Crosstalk: 1-10 MHz 15-60 MHz 60-100 MHz</p>	<p>Crosstalk: 1-60 MHz 60-100 MHz</p>
<p>No panel cutout</p>	
	

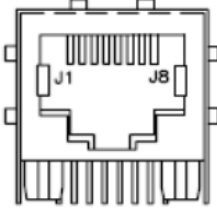
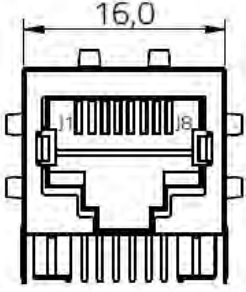
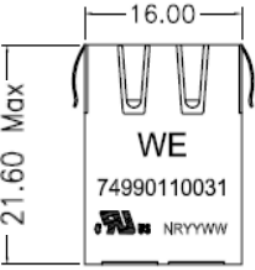
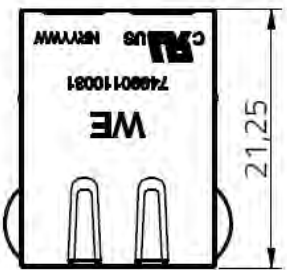
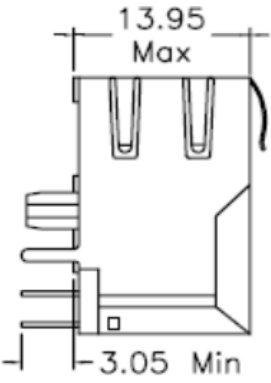
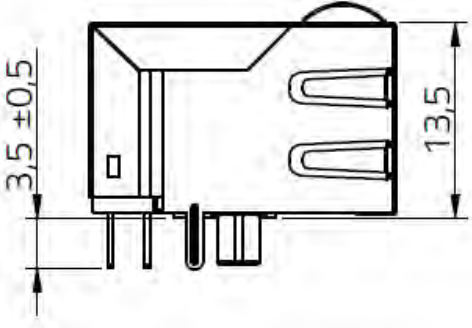
7499210213:

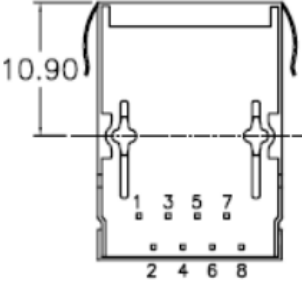
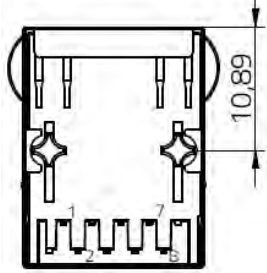
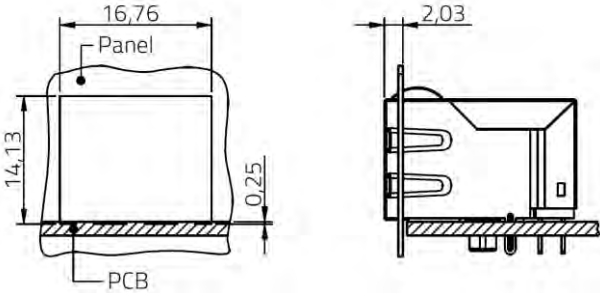
<p>BEFORE CORRECTION</p>	<p>AFTER CORRECTION</p>
	

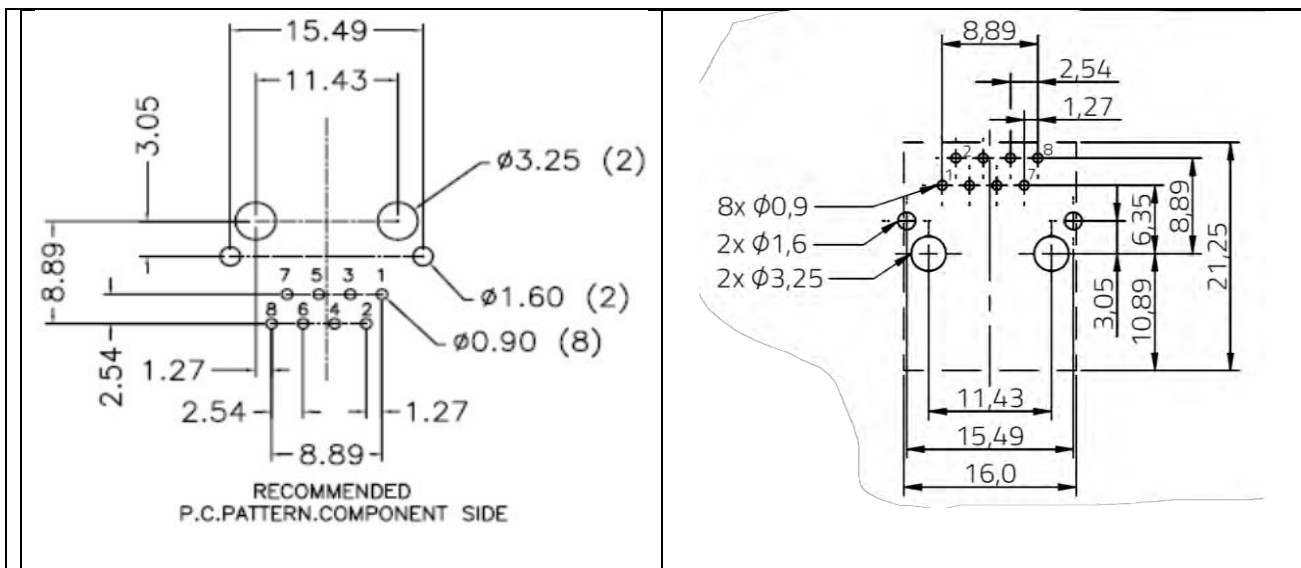
	
	
	
<p>Return Loss: 1-30 MHz 30-45 MHz 45-60 MHz 60-80 MHz</p>	<p>Return Loss: 1-30 MHz 30-60 MHz 60-80 MHz 80-100 MHz</p>

<p>Common Mode Rejection: 1-100 MHz</p>	<p>Common Mode Rejection: 1-30 MHz 30-60 MHz 60-100 MHz</p>
<p>Crosstalk: 1-100 MHz</p>	<p>Crosstalk: 1-60 MHz 60-100 MHz</p>
	
	

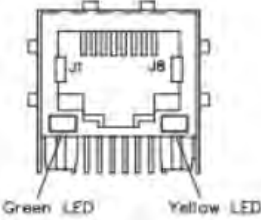
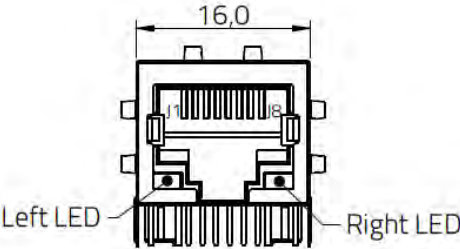
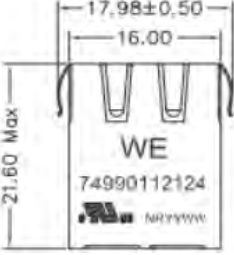
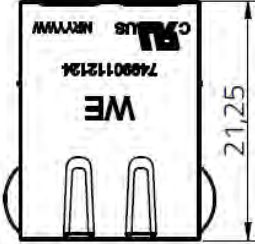
74990110031:

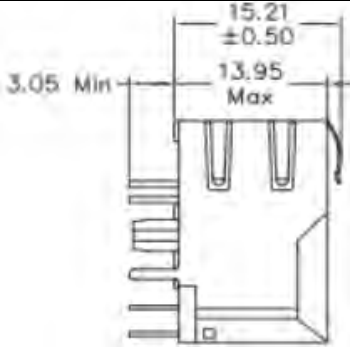
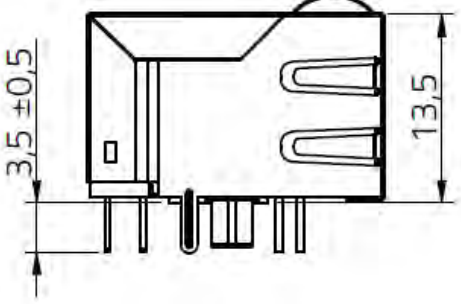
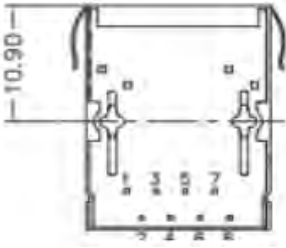
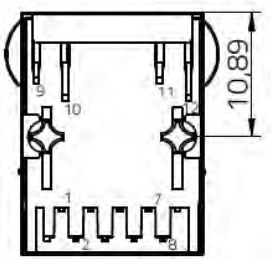
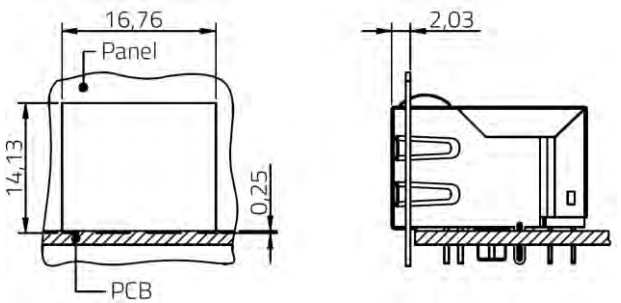
BEFORE CORRECTION	AFTER CORRECTION
	
	
	

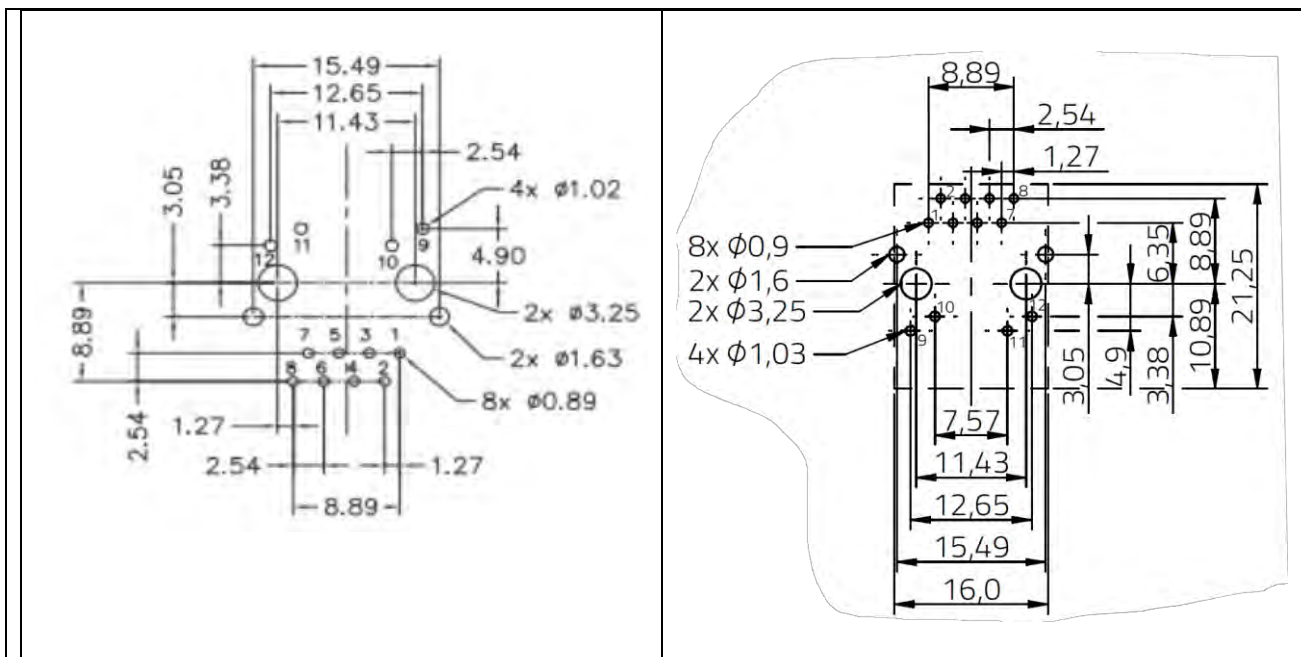
	
<p>Return Loss: 1-30 MHz 30-60 MHz 60-80 MHz</p>	<p>Return Loss: 1-30 MHz 30-60 MHz 60-80 MHz 80-100 MHz</p>
<p>Common Mode Rejection: 1-100 MHz</p>	<p>Common Mode Rejection: 1-30 MHz 30-60 MHz 60-100 MHz</p>
<p>Crosstalk: 1-100 MHz</p>	<p>Crosstalk: 1-60 MHz 60-100 MHz</p>
<p>No panel cutout</p>	



74990112124:

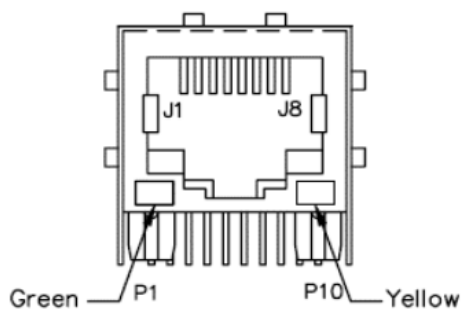
BEFORE CORRECTION	AFTER CORRECTION
	
	

	
	
<p>Return Loss: 1-10 MHz 10-30 MHz 30-60 MHz</p>	<p>Return Loss: 1-30 MHz 30-60 MHz 60-80 MHz 80-100 MHz</p>
<p>Common Mode Rejection: 1-100 MHz</p>	<p>Common Mode Rejection: 1-30 MHz 30-60 MHz 60-100 MHz</p>
<p>Crosstalk: 1-100 MHz</p>	<p>Crosstalk: 1-60 MHz 60-100 MHz</p>
<p>No panel cutout</p>	

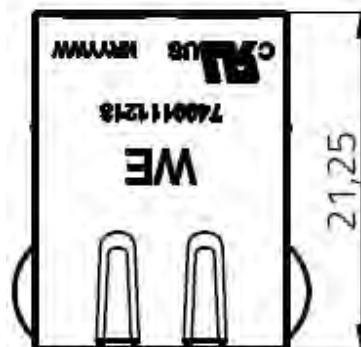
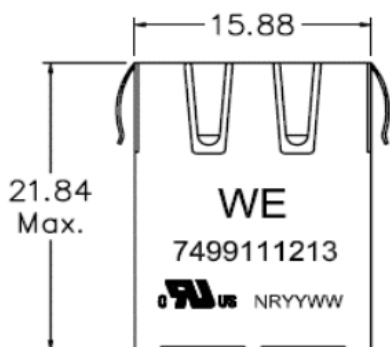
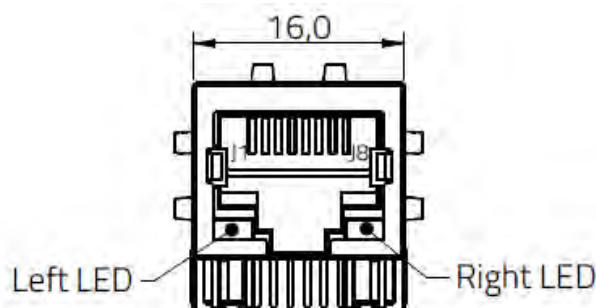


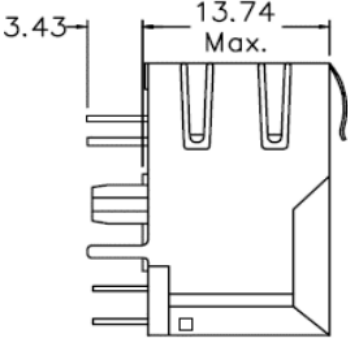
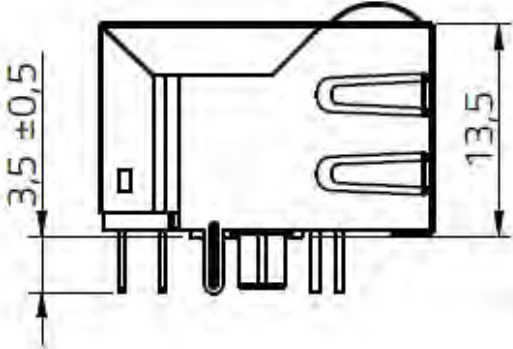
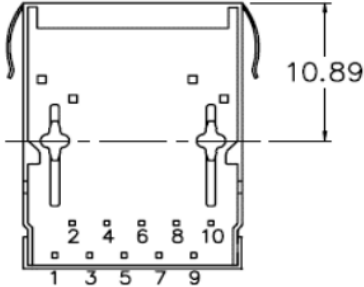
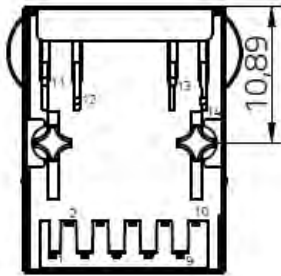
7499111213:

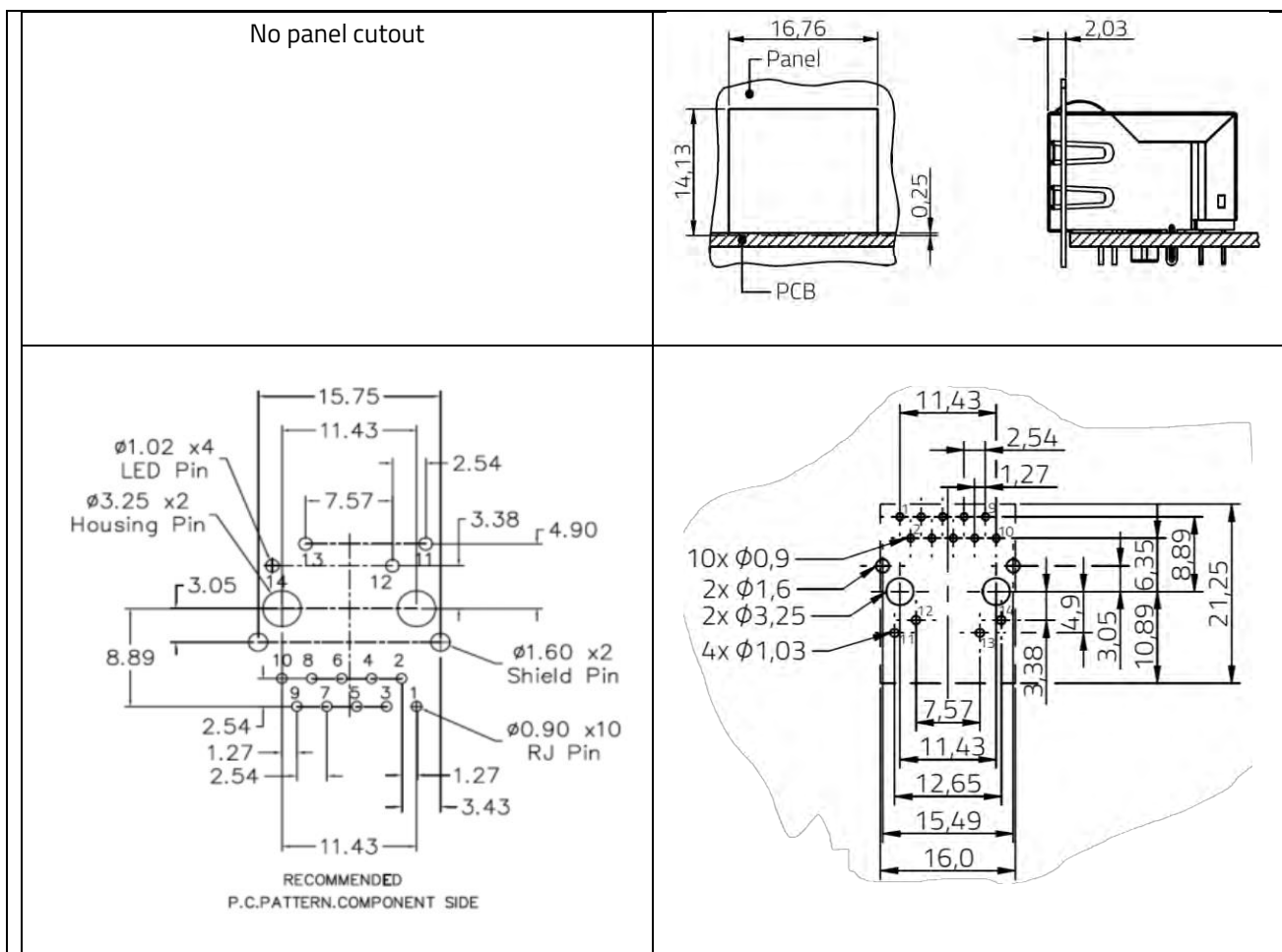
BEFORE CORRECTION



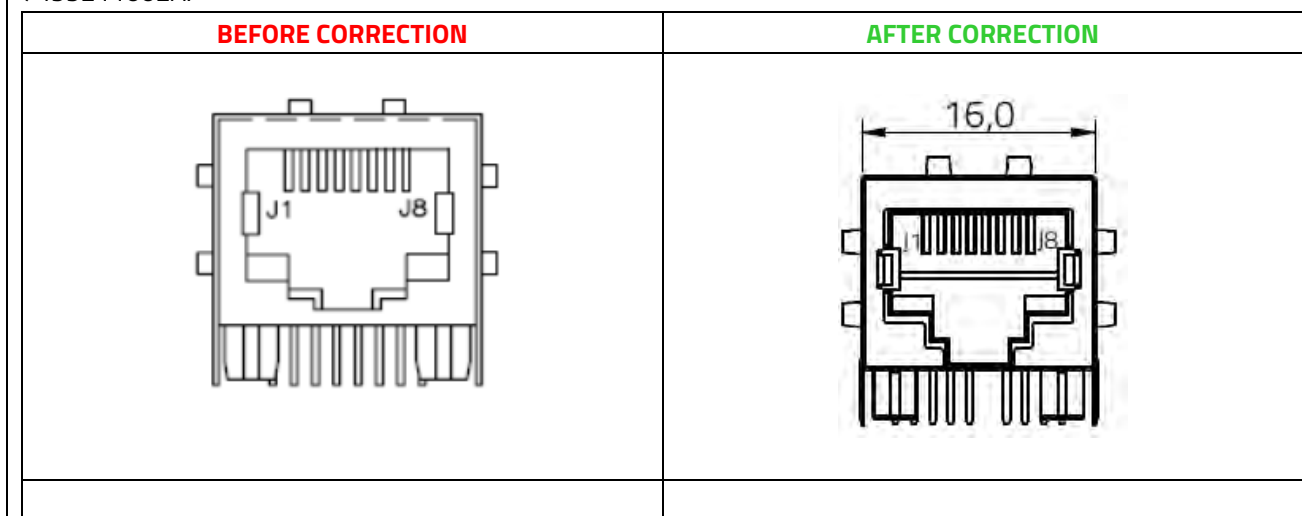
AFTER CORRECTION

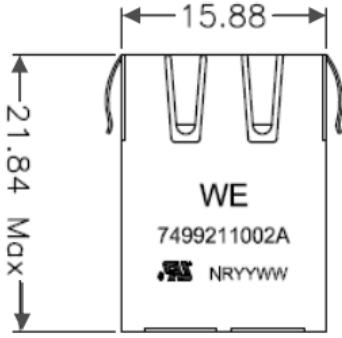
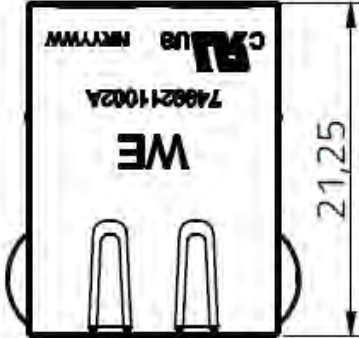
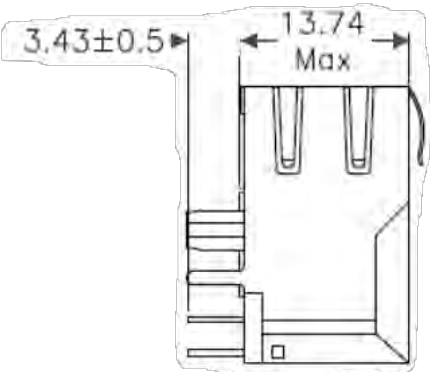
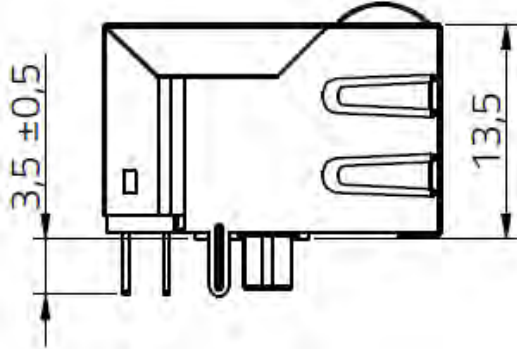
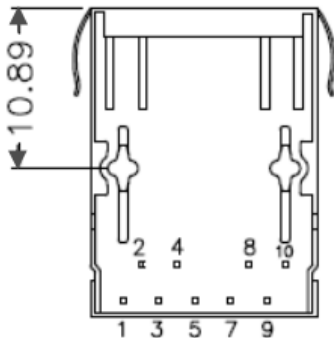
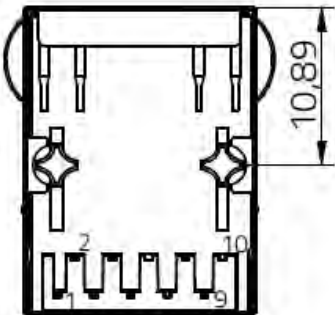


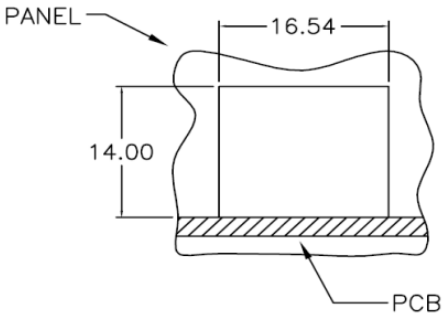
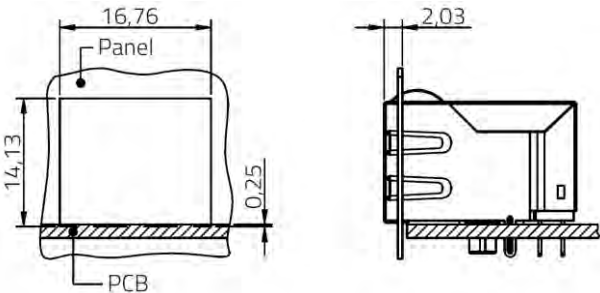
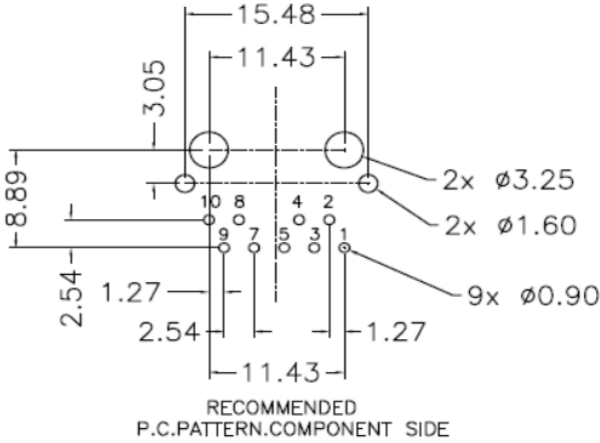
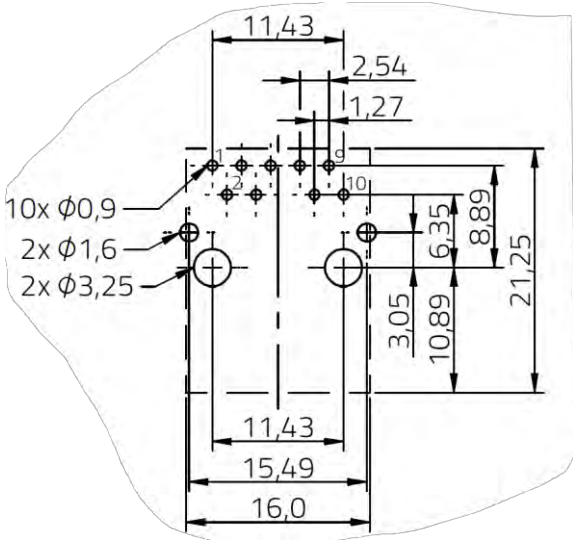
	
	
<p>Return Loss: 1-40 MHz 40-60 MHz 60-80 MHz 80-100 MHz</p>	<p>Return Loss: 1-30 MHz 30-60 MHz 60-80 MHz 80-100 MHz</p>
<p>Common Mode Rejection: 1-100 MHz</p>	<p>Common Mode Rejection: 1-30 MHz 30-60 MHz 60-100 MHz</p>
<p>Crosstalk: 1-30 MHz 30-60 MHz 60-100 MHz</p>	<p>Crosstalk: 1-60 MHz 60-100 MHz</p>



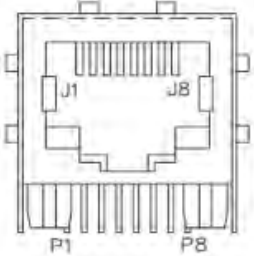
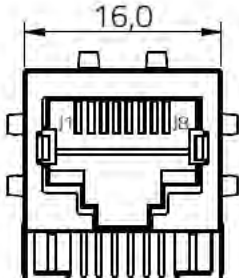
7499211002A:

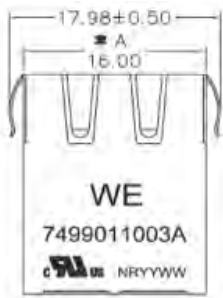
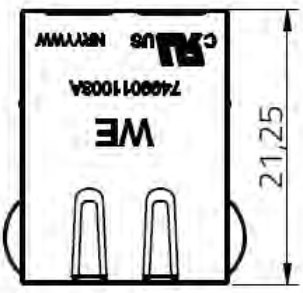
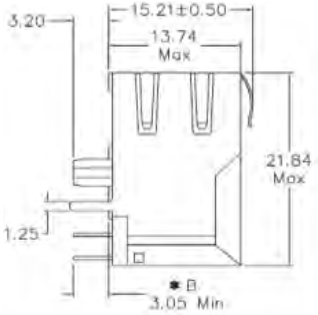
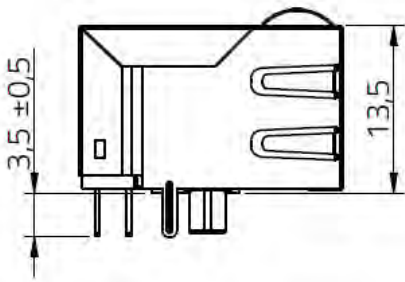
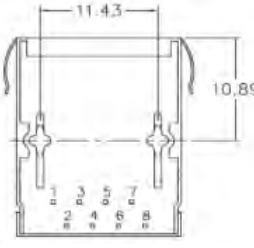
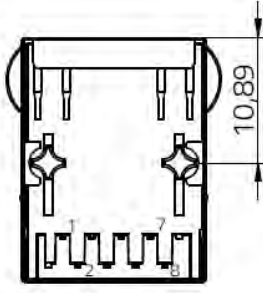


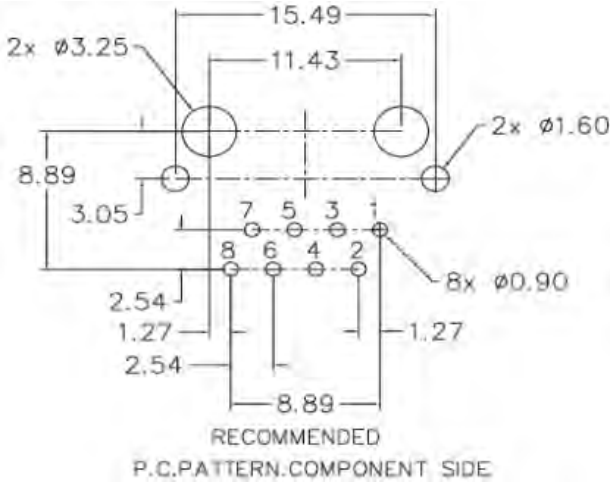
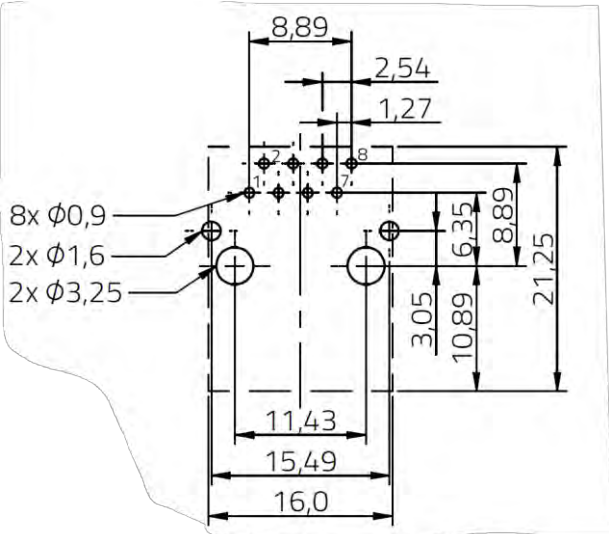
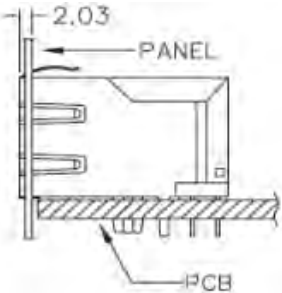
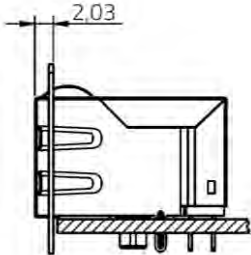
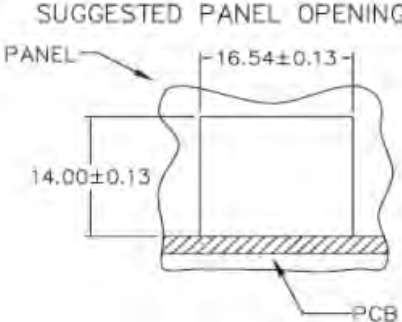
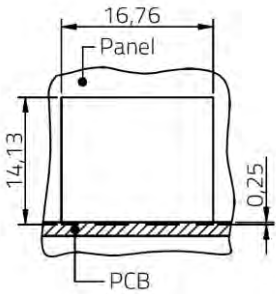
	
	
	
<p>Return Loss: 1-10 MHz 10-30 MHz 30-60 MHz 60-80 MHz</p>	<p>Return Loss: 1-30 MHz 30-60 MHz 60-80 MHz 80-100 MHz</p>
<p>Common Mode Rejection: 1-100 MHz</p>	<p>Common Mode Rejection: 1-30 MHz 30-60 MHz</p>

<p>Crosstalk: 1-100 MHz</p>	<p>60-100 MHz Crosstalk: 1-60 MHz 60-100 MHz</p>
	
	

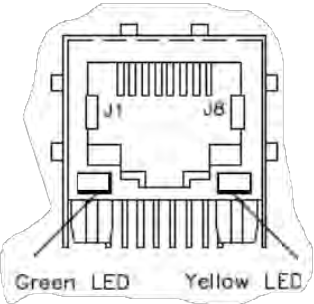
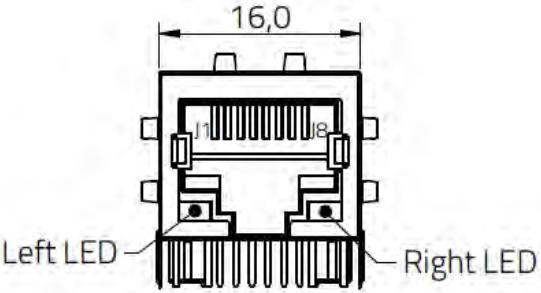
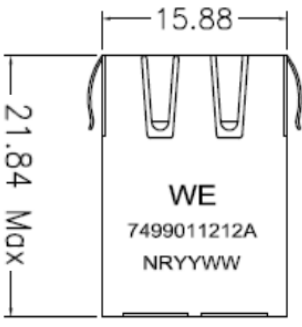
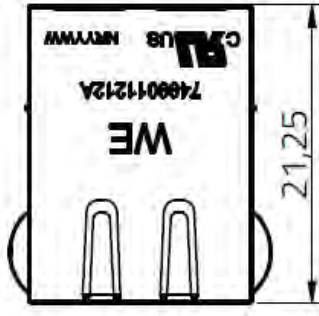
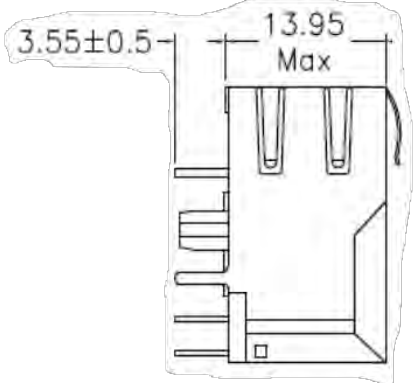
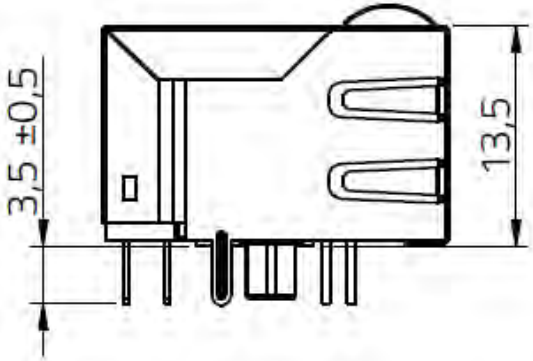
7499011003A:

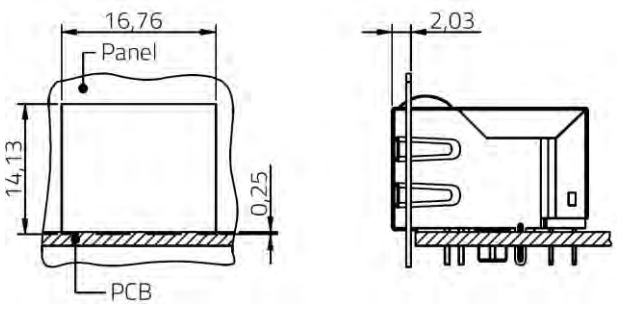
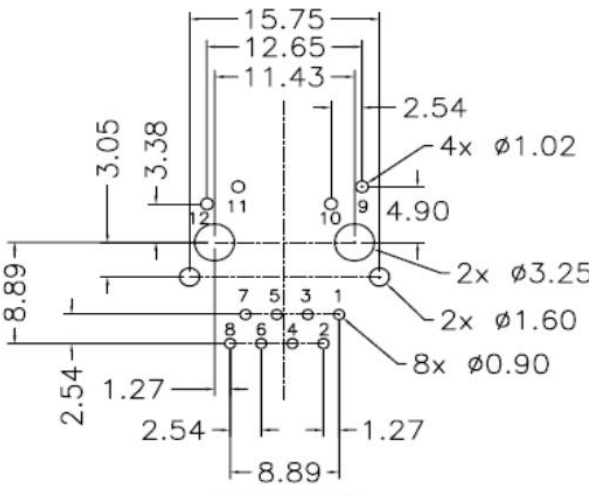
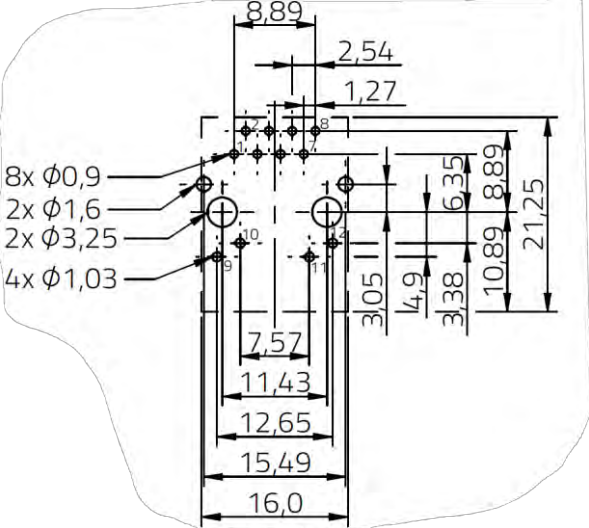
<p>BEFORE CORRECTION</p>	<p>AFTER CORRECTION</p>
	

	
	
	
<p>Return Loss: 1-30 MHz 30-45 MHz 45-60 MHz 60-80 MHz</p>	<p>Return Loss: 1-30 MHz 30-60 MHz 60-80 MHz 80-100 MHz</p>
<p>Common Mode Rejection: 1-100 MHz</p>	<p>Common Mode Rejection: 1-30 MHz 30-60 MHz 60-100 MHz</p>

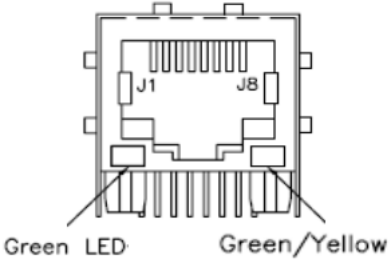
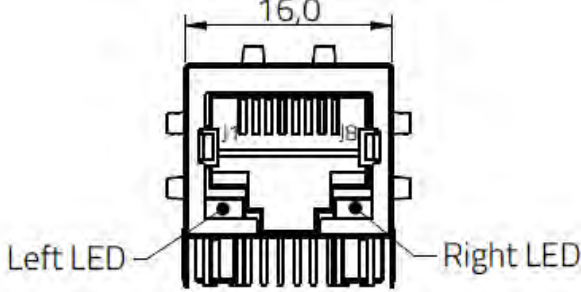

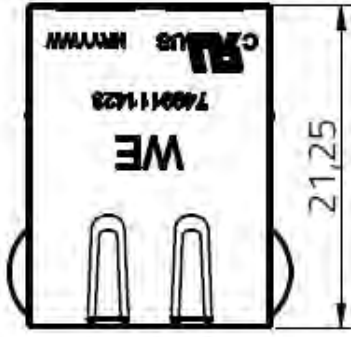
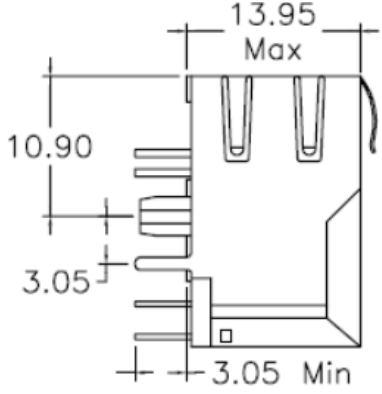
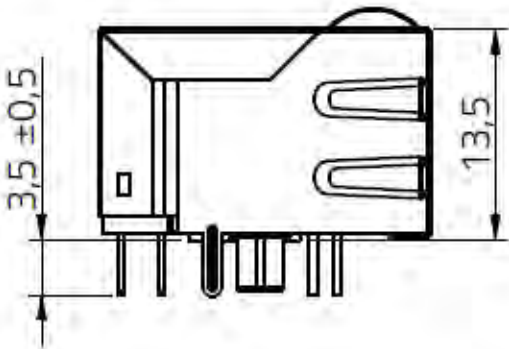
Crosstalk: 1-100 MHz	Crosstalk: 1-60 MHz 60-100 MHz
 <p>RECOMMENDED P.C.PATTERN.COMPONENT SIDE</p>	
 <p>PANEL PCB</p>	 <p>2.03</p>
<p>SUGGESTED PANEL OPENING</p>  <p>PANEL 16.54±0.13 14.00±0.13 PCB</p>	 <p>Panel 16.76 14.13 0.25 PCB</p>

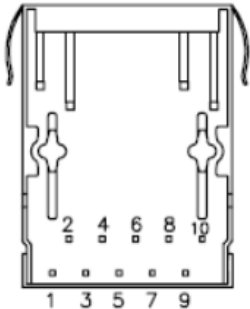
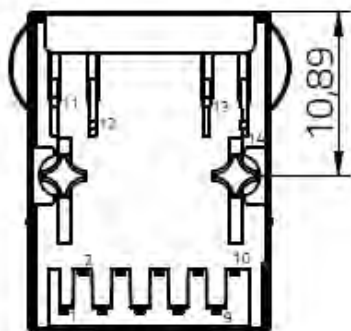
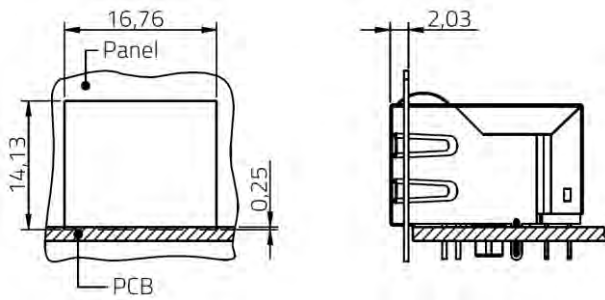
7499011212A:

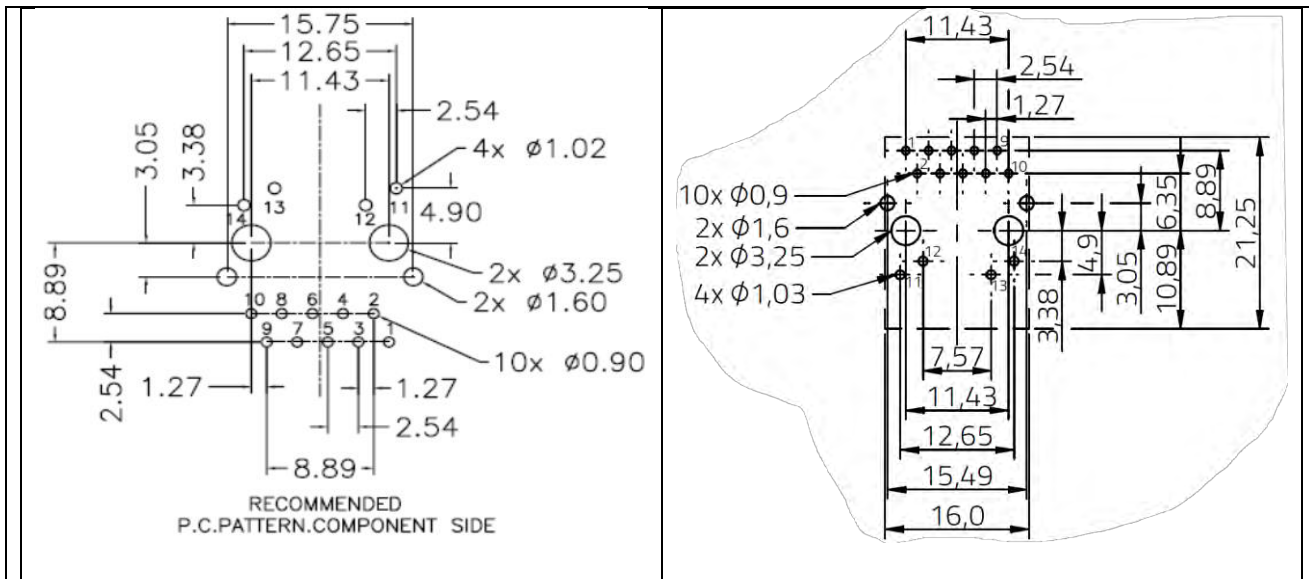
BEFORE CORRECTION	AFTER CORRECTION
	
	
	
<p>Return Loss: 1-30 MHz 30-45 MHz 45-60 MHz 60-80 MHz</p>	<p>Return Loss: 1-30 MHz 30-60 MHz 60-80 MHz 80-100 MHz</p>

<p>Common Mode Rejection: 1-100 MHz</p>	<p>Common Mode Rejection: 1-30 MHz 30-60 MHz 60-100 MHz</p>
<p>Crosstalk: 1-100 MHz</p>	<p>Crosstalk: 1-60 MHz 60-100 MHz</p>
<p>No panel cutout</p>	
 <p>RECOMMENDED P.C.PATTERN.COMPONENT SIDE</p>	

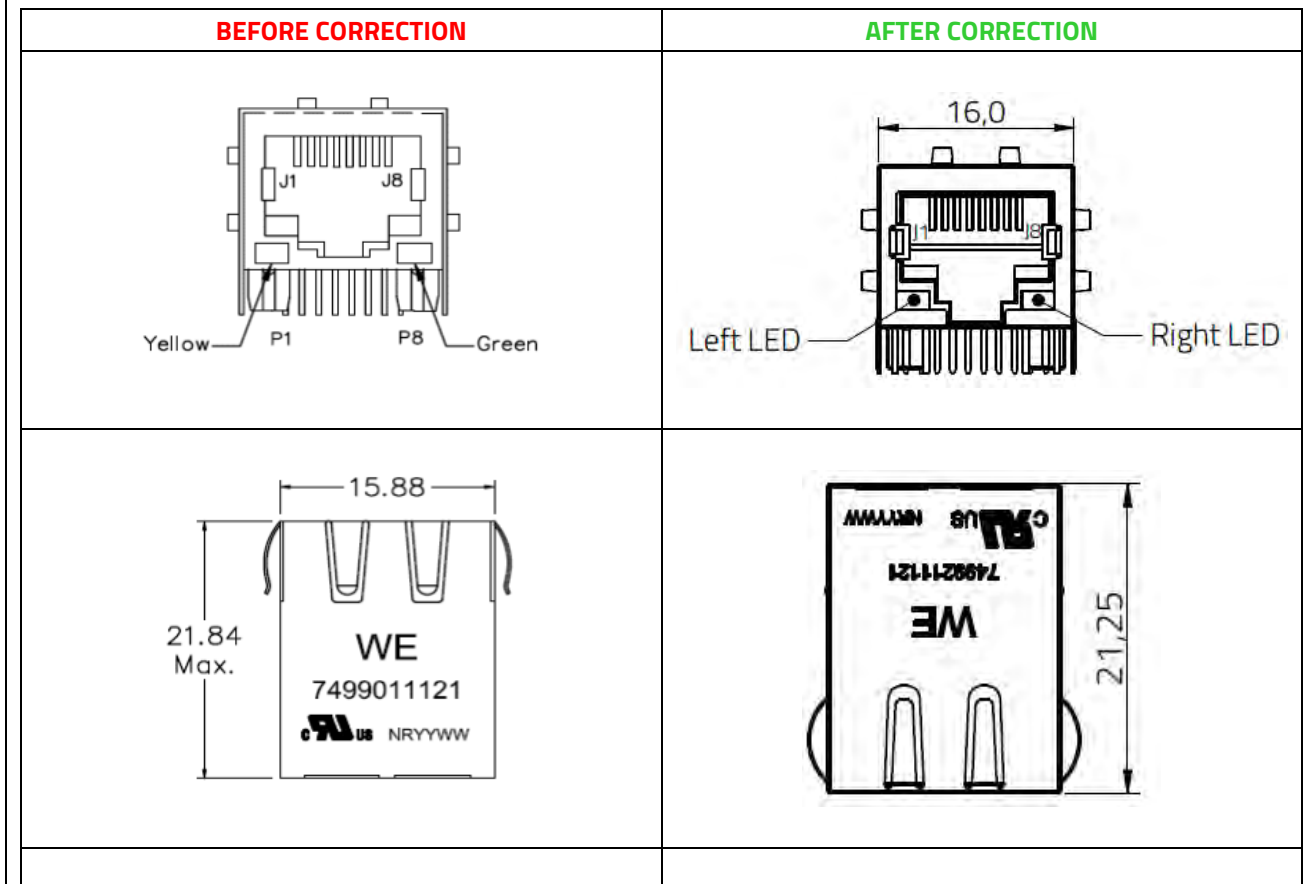
7499111423:

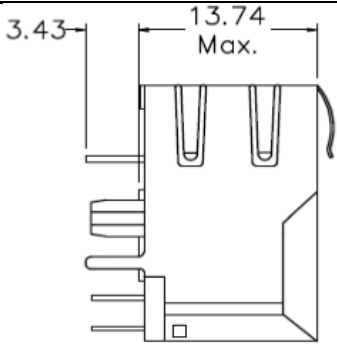
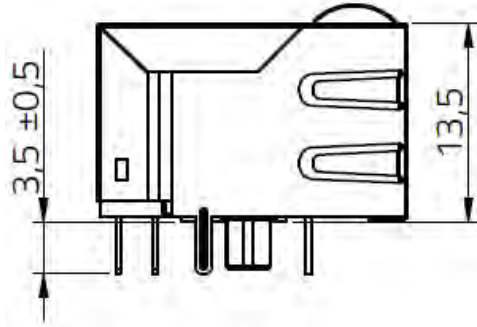
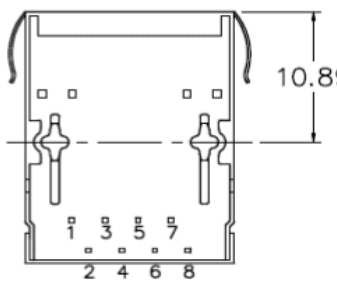
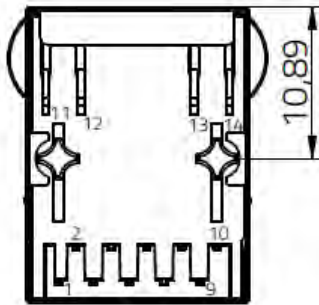
BEFORE CORRECTION	AFTER CORRECTION
	
	
	

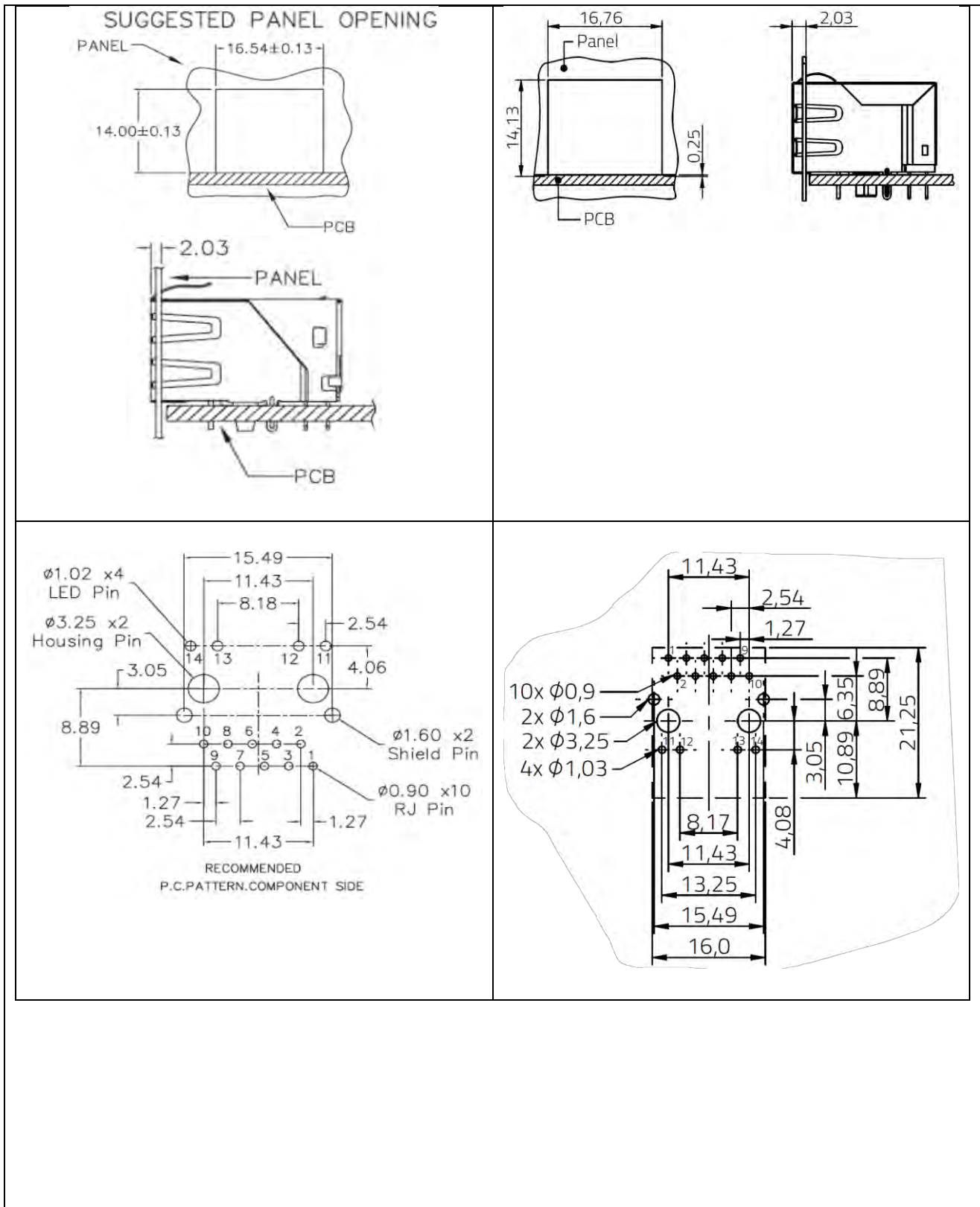
	
<p>Return Loss: 1-30 MHz 40 MHz 50 MHz 60-100 MHz</p>	<p>Return Loss: 1-30 MHz 30-60 MHz 60-80 MHz 80-100 MHz</p>
<p>Common Mode Rejection: 1-100 MHz</p>	<p>Common Mode Rejection: 1-30 MHz 30-60 MHz 60-100 MHz</p>
<p>Crosstalk: 1-100 MHz</p>	<p>Crosstalk: 1-60 MHz 60-100 MHz</p>
<p>No panel cutout</p>	

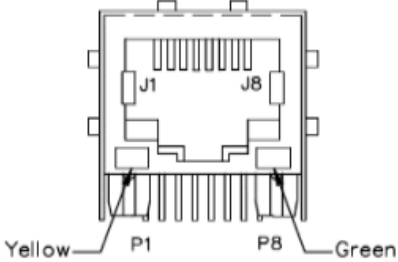
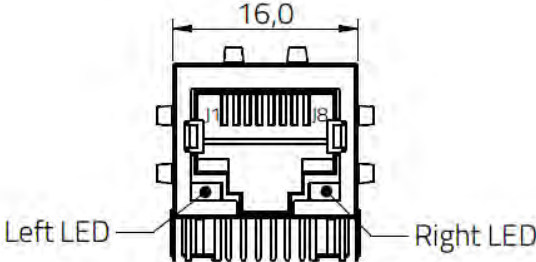
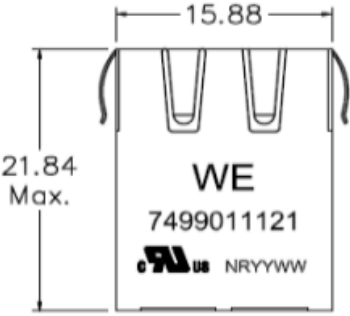
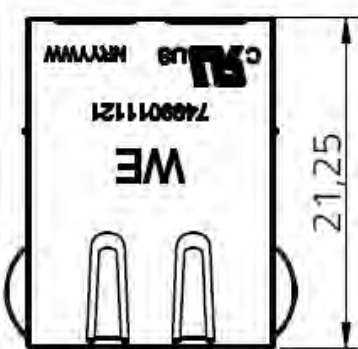
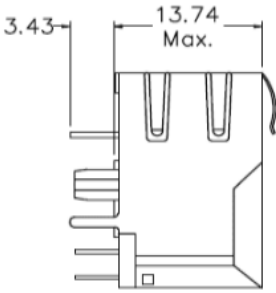
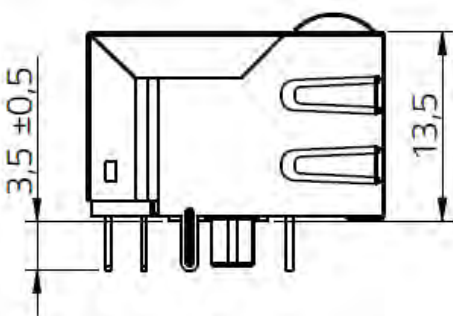


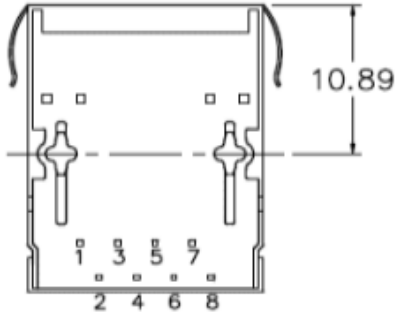
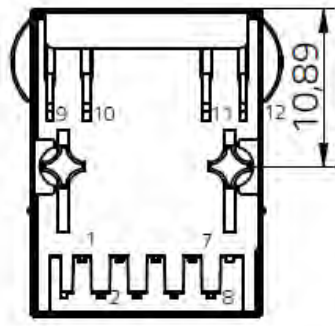
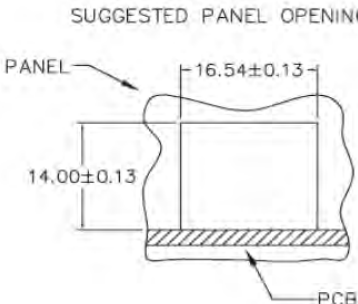
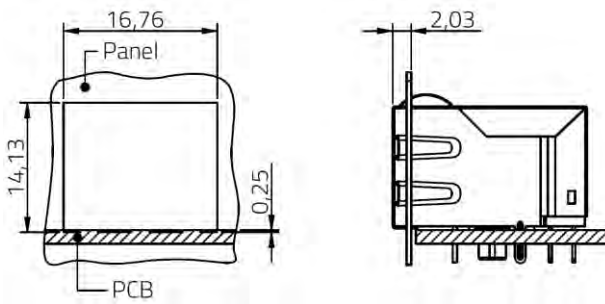
7499211121:

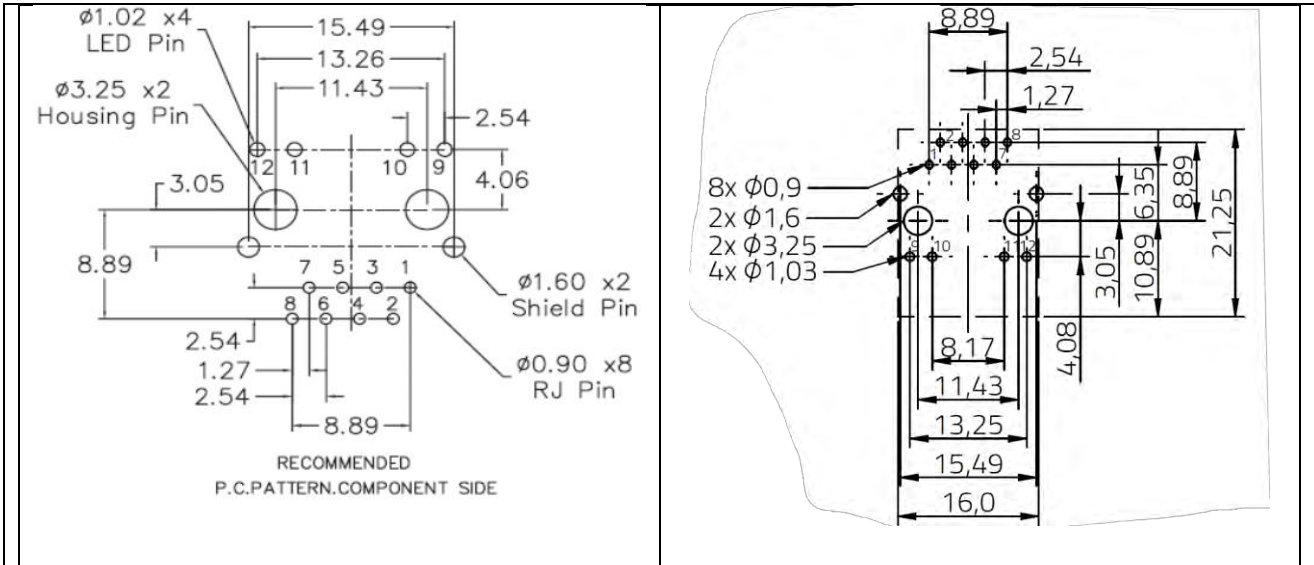


	
	
<p>Return Loss: 1-30 MHz 30-45 MHz 45-60 MHz 60-80 MHz</p>	<p>Return Loss: 1-30 MHz 30-60 MHz 60-80 MHz 80-100 MHz</p>
<p>Common Mode Rejection: 1-100 MHz</p>	<p>Common Mode Rejection: 1-30 MHz 30-60 MHz 60-100 MHz</p>
<p>Crosstalk: 1-100 MHz</p>	<p>Crosstalk: 1-60 MHz 60-100 MHz</p>



7499011121: BEFORE CORRECTION	AFTER CORRECTION
	
	
	

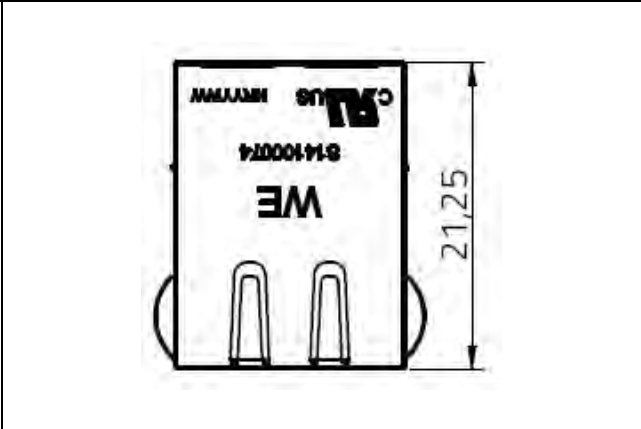
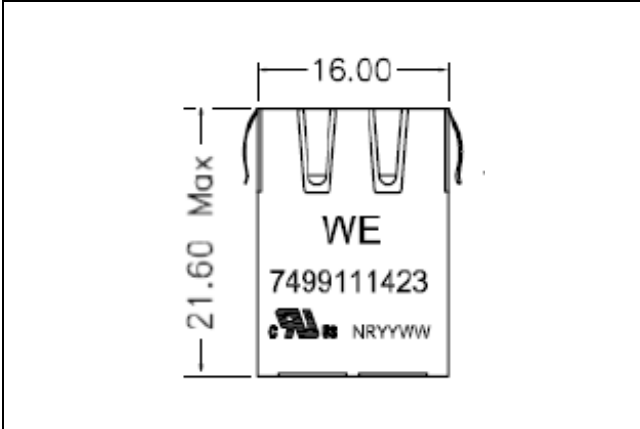
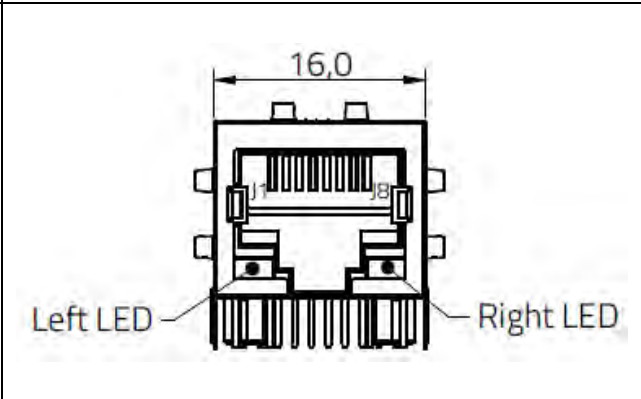
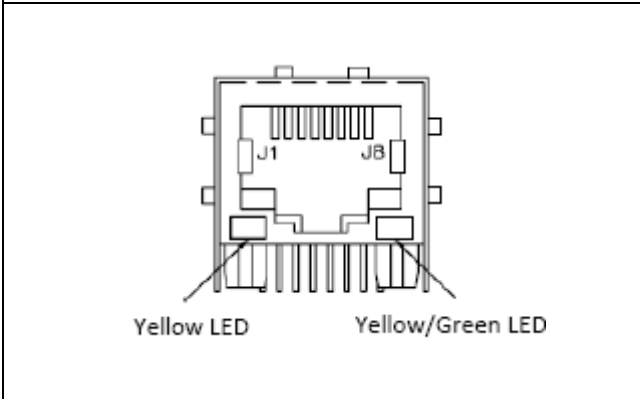
	
<p>Return Loss: 1-30 MHz 30-45 MHz 45-60 MHz 60-80 MHz</p>	<p>Return Loss: 1-30 MHz 30-60 MHz 60-80 MHz 80-100 MHz</p>
<p>Common Mode Rejection: 1-100 MHz</p>	<p>Common Mode Rejection: 1-30 MHz 30-60 MHz 60-100 MHz</p>
<p>Crosstalk: 1-100 MHz</p>	<p>Crosstalk: 1-60 MHz 60-100 MHz</p>
<p>SUGGESTED PANEL OPENING</p> 	

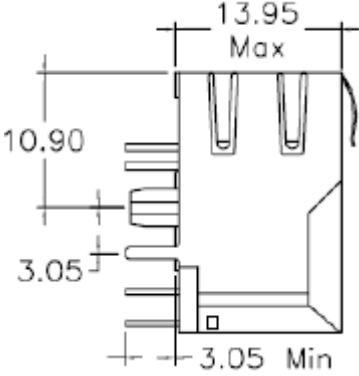
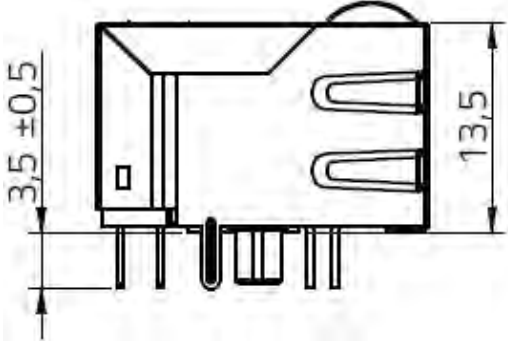
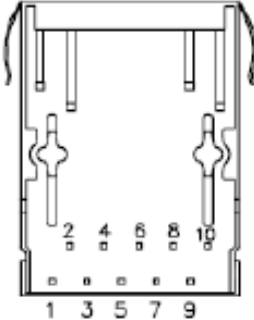
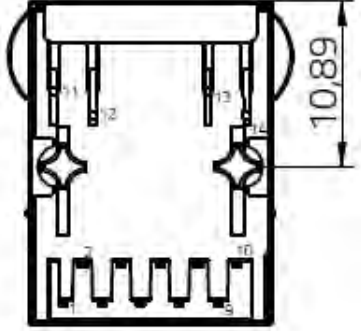


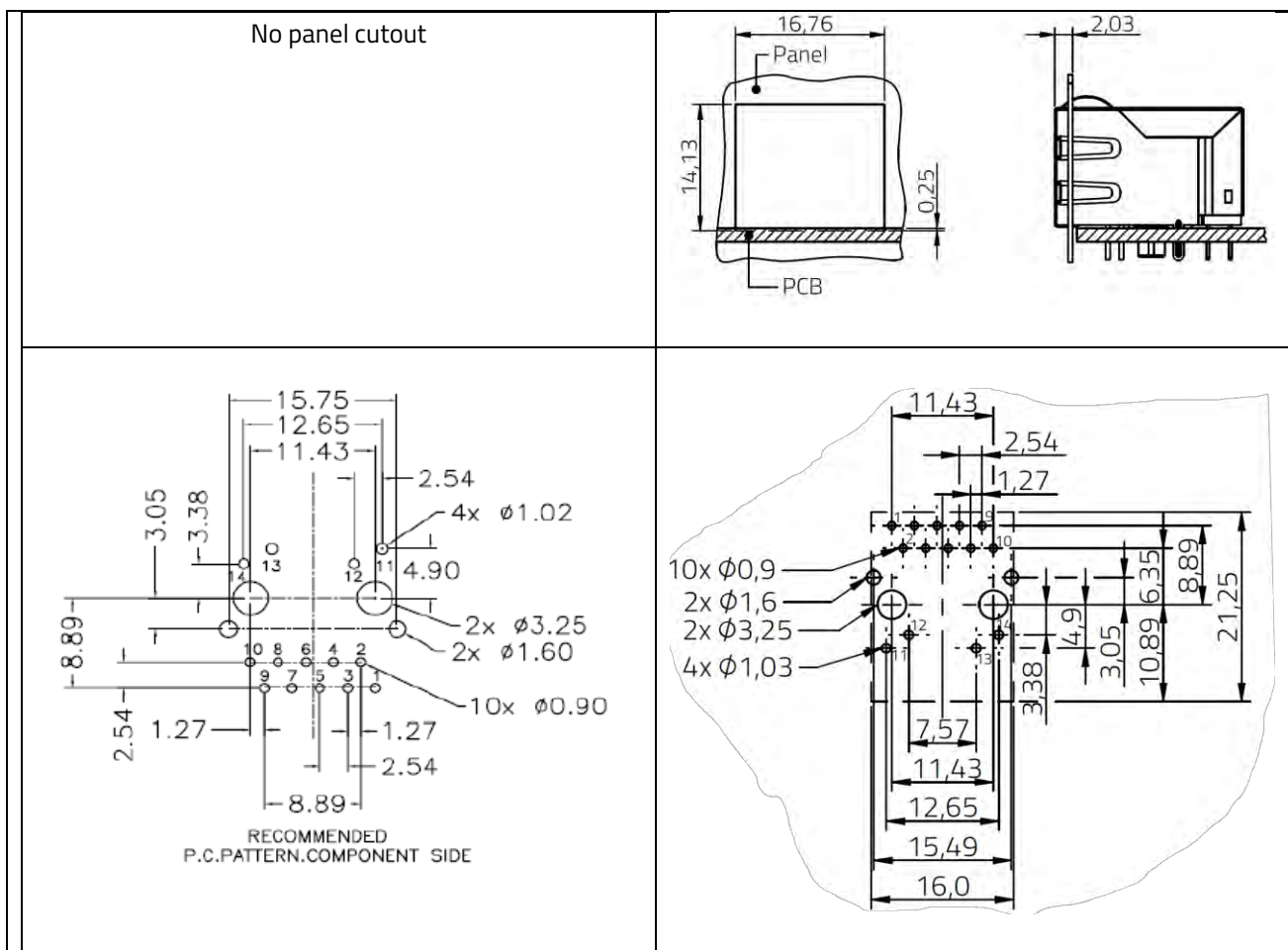
S14100074:

BEFORE CORRECTION

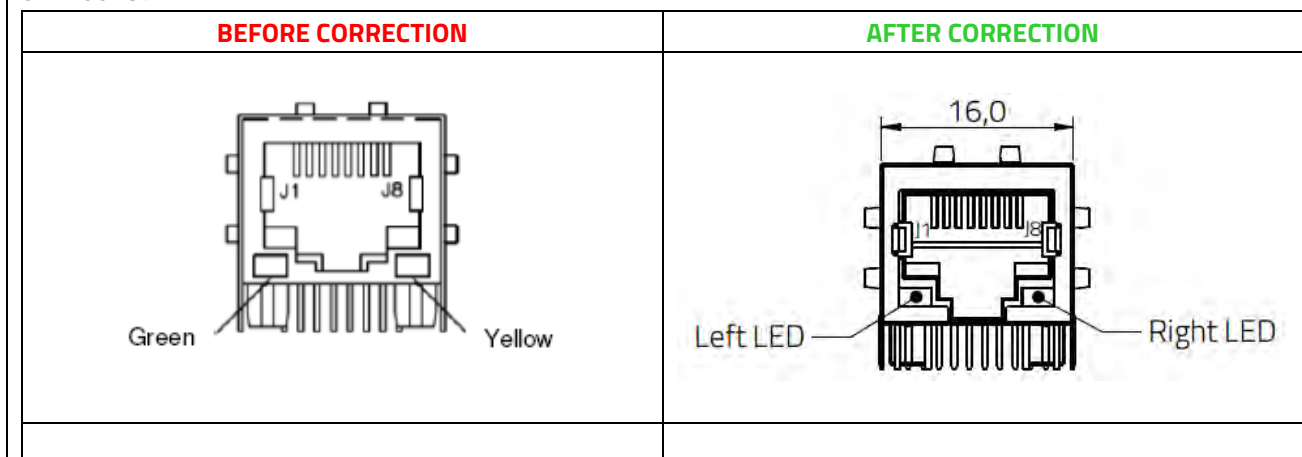
AFTER CORRECTION

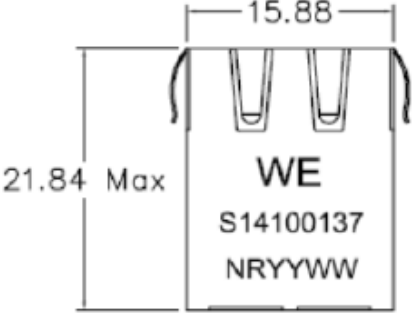
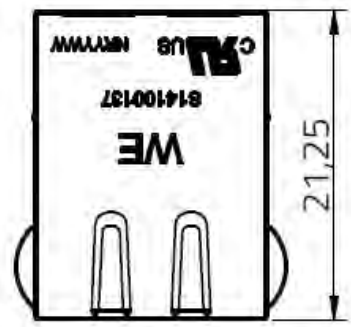
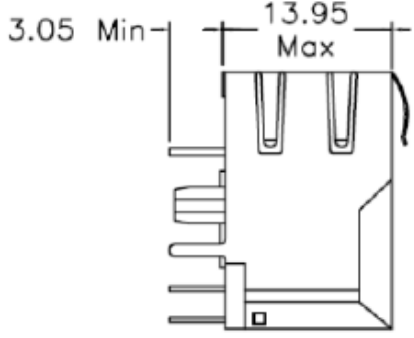
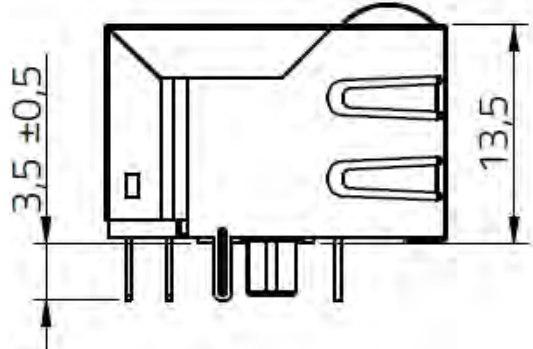
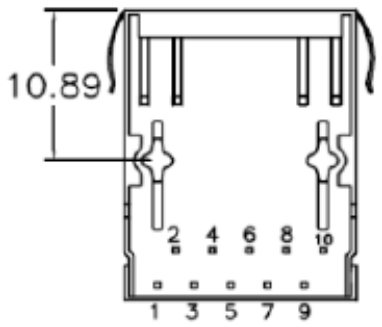
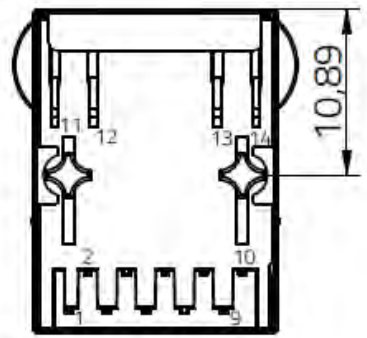


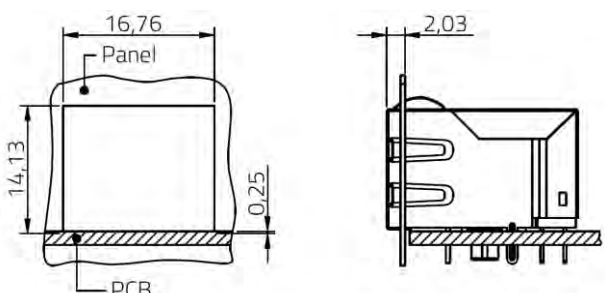
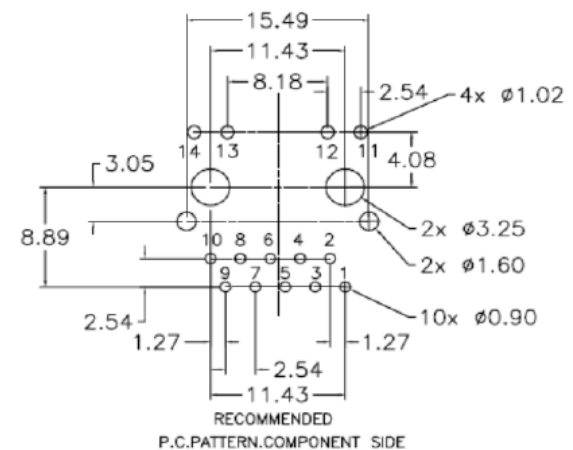
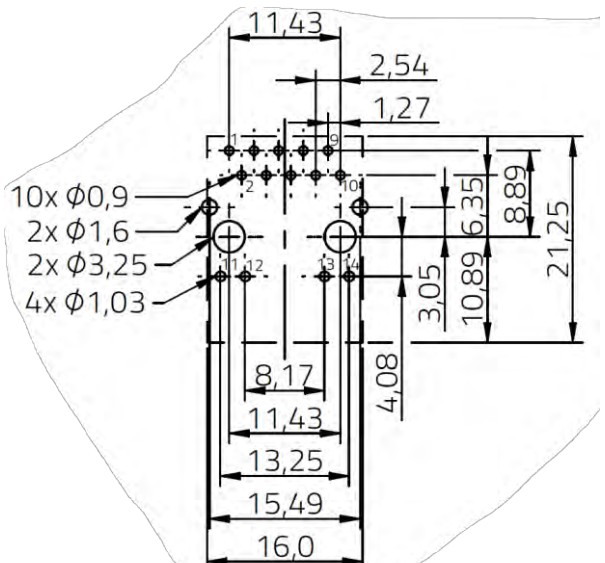
	
	
<p>Return Loss: 1-30 MHz 40 MHz 50 MHz 60-100 MHz</p>	<p>Return Loss: 1-30 MHz 30-60 MHz 60-80 MHz 80-100 MHz</p>
<p>Common Mode Rejection: 1-100 MHz</p>	<p>Common Mode Rejection: 1-30 MHz 30-60 MHz 60-100 MHz</p>
<p>Crosstalk: 1-100 MHz</p>	<p>Crosstalk: 1-60 MHz 60-100 MHz</p>



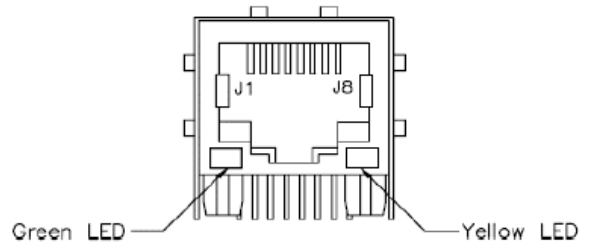
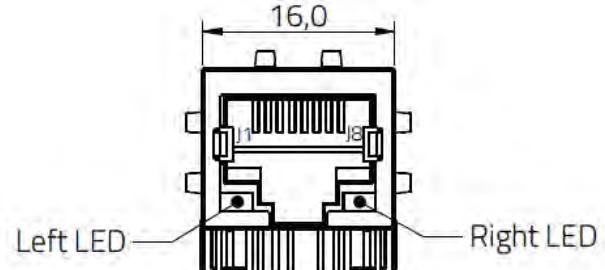
S14100137:

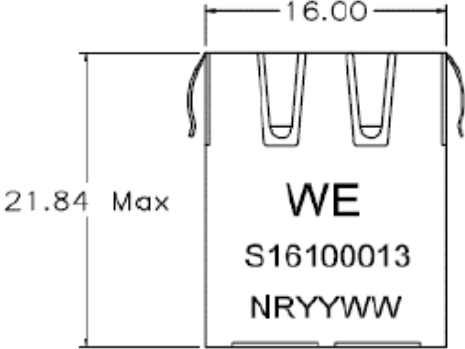
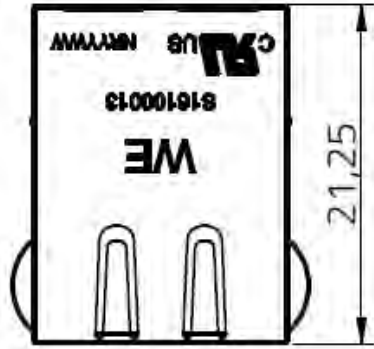
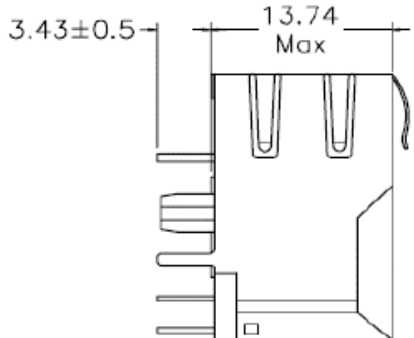
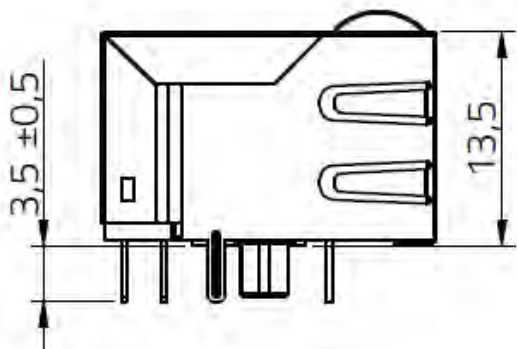
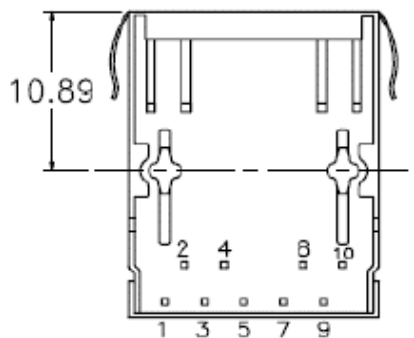
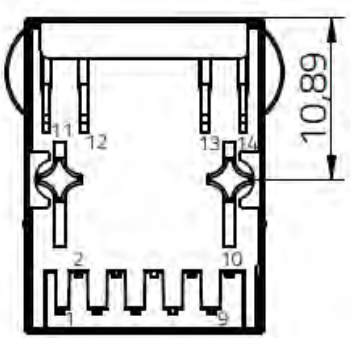


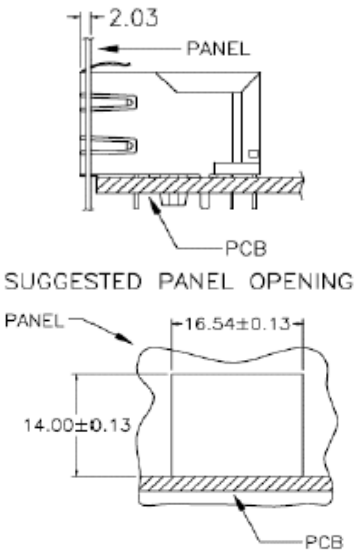
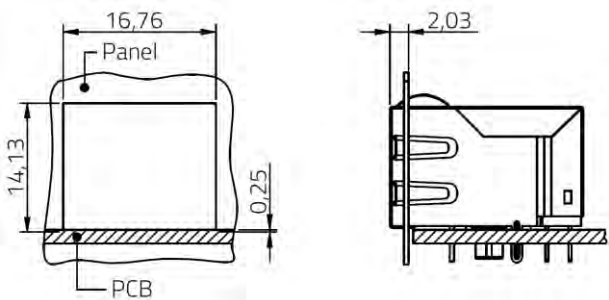
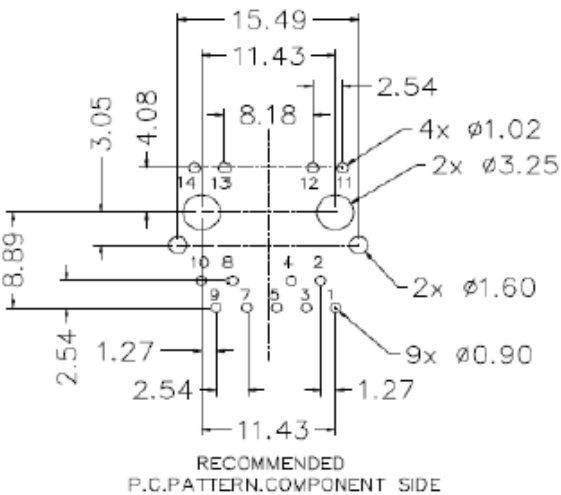
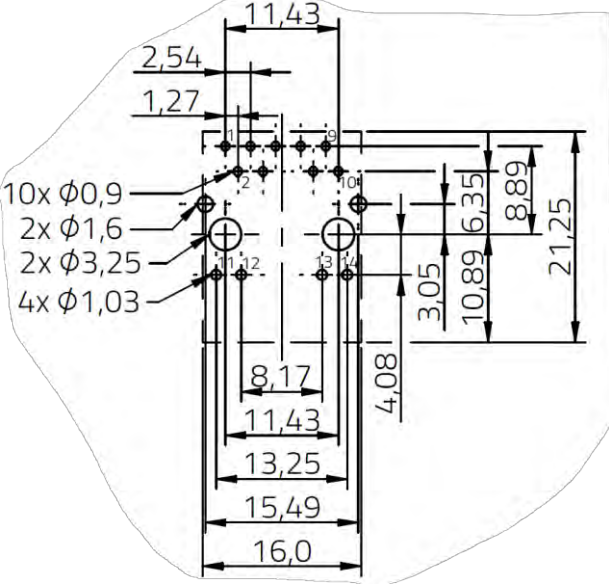
	
	
	
<p>Return Loss: 1-40 MHz 40-60 MHz 60-80 MHz 80-100 MHz</p>	<p>Return Loss: 1-30 MHz 30-60 MHz 60-80 MHz 80-100 MHz</p>
<p>Common Mode Rejection: 1-100 MHz</p>	<p>Common Mode Rejection: 1-30 MHz 30-60 MHz 60-100 MHz</p>

<p>Crosstalk: 1-100 MHz</p>	<p>Crosstalk: 1-60 MHz 60-100 MHz</p>
<p>No panel cutout</p>	
	

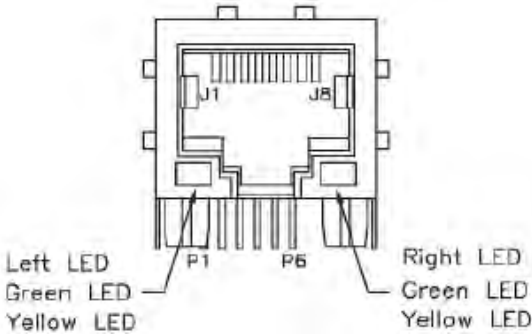
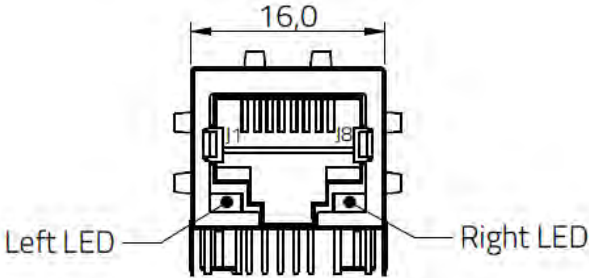
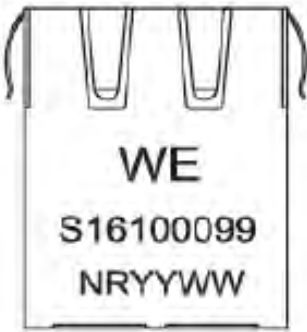
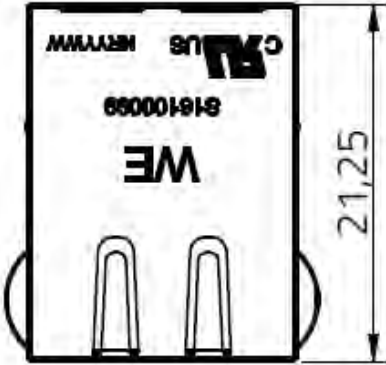
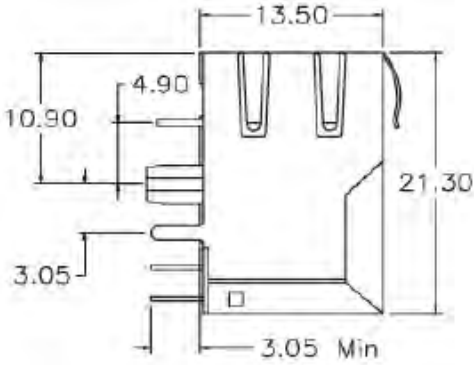
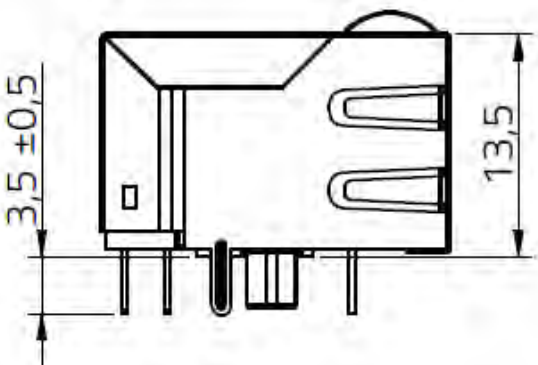
S16100013:

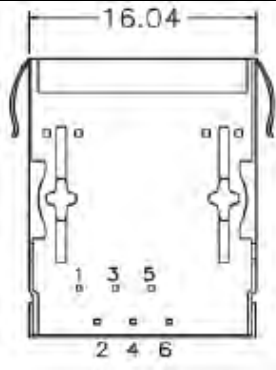
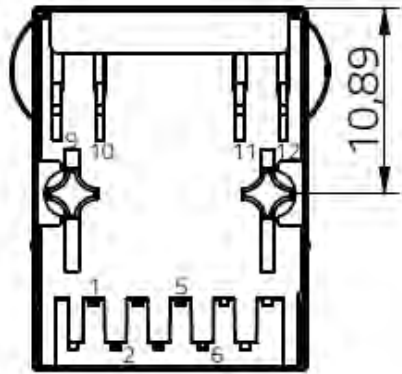
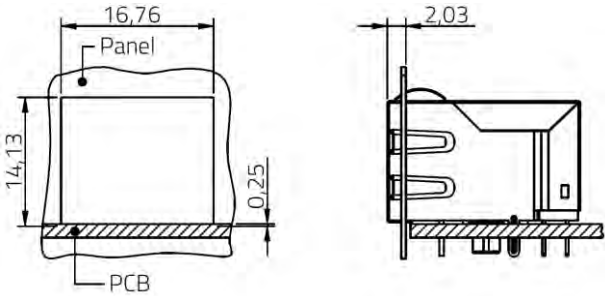
<p>BEFORE CORRECTION</p>	<p>AFTER CORRECTION</p>
	

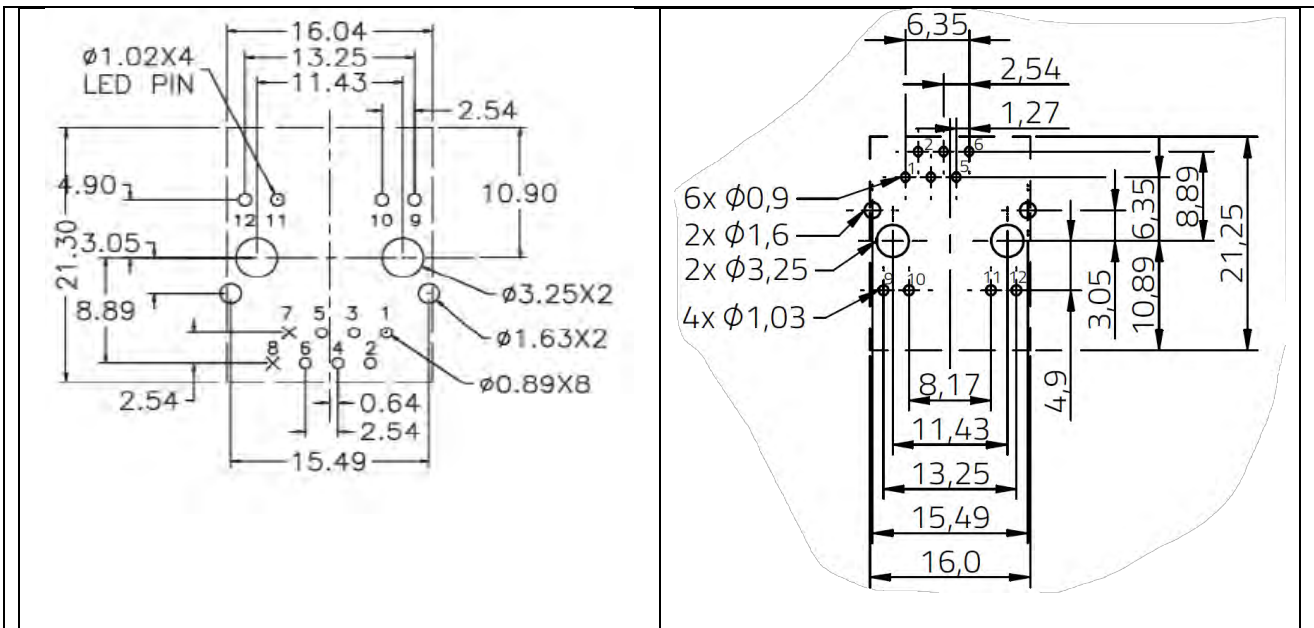
	
	
	
<p>Return Loss: 1-30 MHz 30-60 MHz 60-80 MHz 80-100 MHz</p>	<p>Return Loss: 1-30 MHz 30-60 MHz 60-80 MHz 80-100 MHz</p>

<p>Common Mode Rejection: 1-30 MHz 30-60 MHz 60-100 MHz</p>	<p>Common Mode Rejection: 1-30 MHz 30-60 MHz 60-100 MHz</p>
<p>Crosstalk: 1-60 MHz 60-100 MHz</p>	<p>Crosstalk: 1-60 MHz 60-100 MHz</p>
 <p>SUGGESTED PANEL OPENING</p>	
 <p>RECOMMENDED P.C.PATTERN.COMPONENT SIDE</p>	

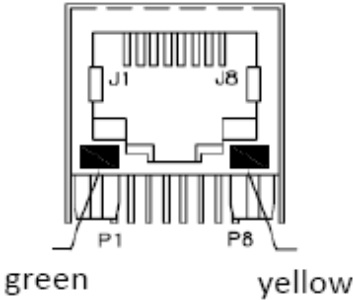
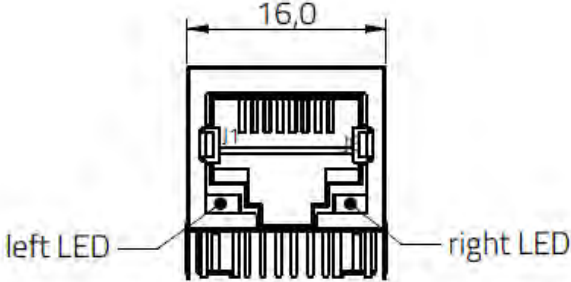
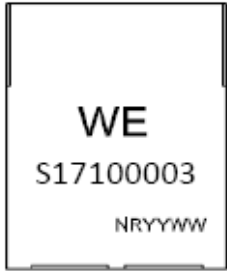
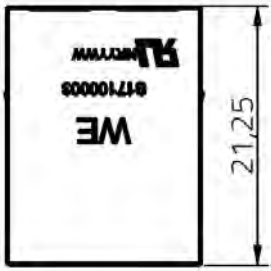
S16100099:

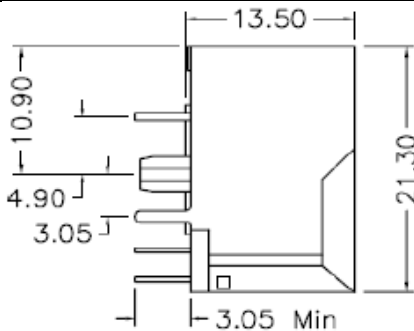
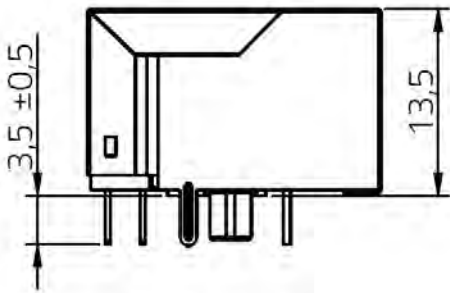
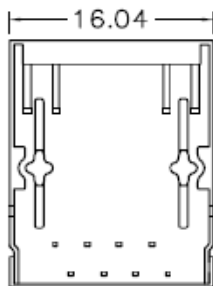
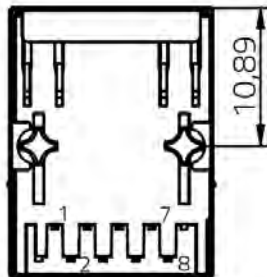
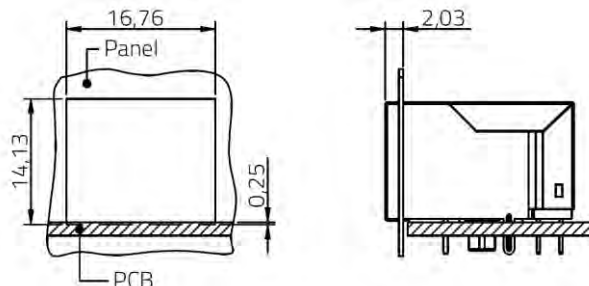
BEFORE CORRECTION	AFTER CORRECTION
 <p>Left LED Green LED Yellow LED</p> <p>Right LED Green LED Yellow LED</p>	 <p>16,0</p> <p>Left LED</p> <p>Right LED</p>
 <p>WE</p> <p>S16100099</p> <p>NRYYYWW</p>	 <p>21,25</p>
 <p>13,50</p> <p>10,90</p> <p>4,90</p> <p>3,05</p> <p>3,05 Min</p> <p>21,30</p>	 <p>3,5 ± 0,5</p> <p>13,5</p>

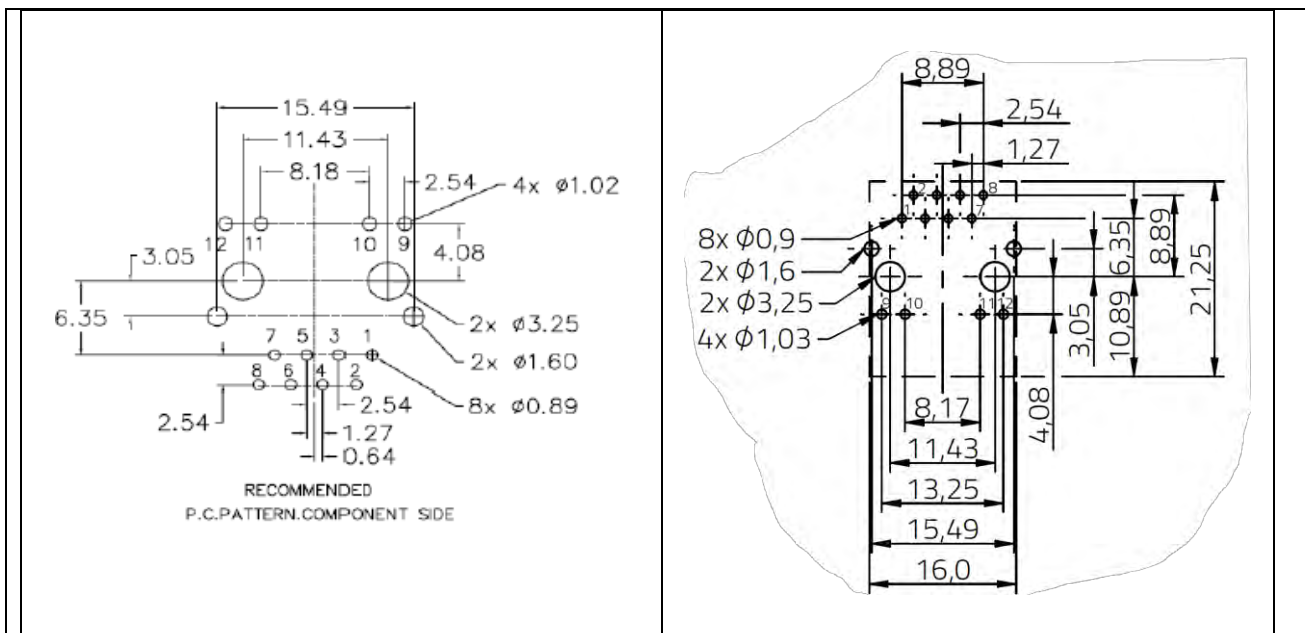
	
<p>Return Loss: 1-30 MHz 30-60 MHz 60-80 MHz 80-100 MHz</p>	<p>Return Loss: 1-30 MHz 30-60 MHz 60-80 MHz 80-100 MHz</p>
<p>Common Mode Rejection: 1-100 MHz</p>	<p>Common Mode Rejection: 1-30 MHz 30-60 MHz 60-100 MHz</p>
<p>Crosstalk: 1-100 MHz</p>	<p>Crosstalk: 1-60 MHz 60-100 MHz</p>
<p>No panel cutout</p>	



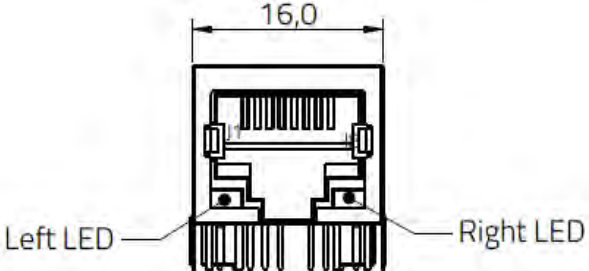
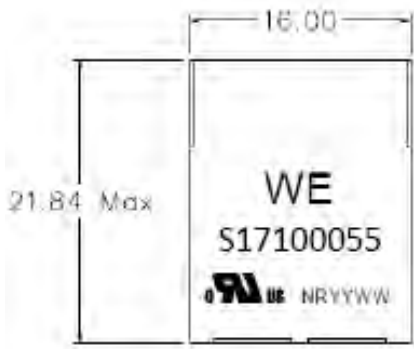
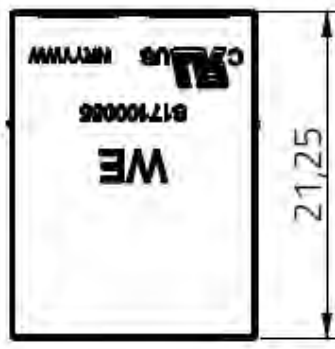
S17100003:

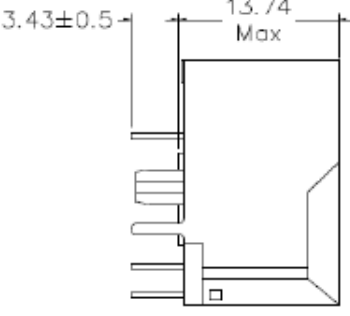
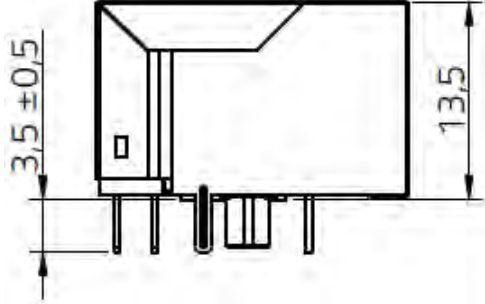
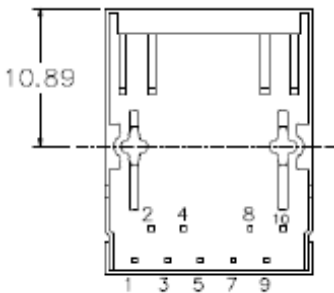
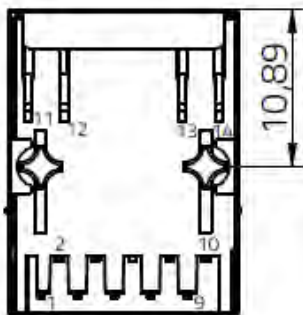
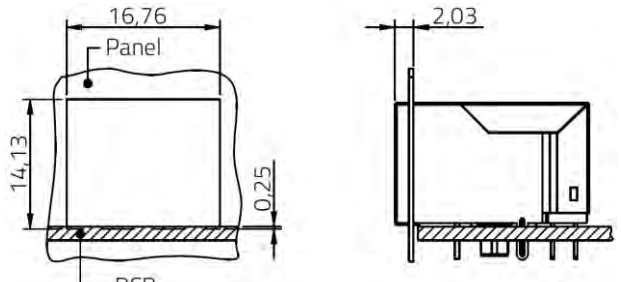
BEFORE CORRECTION	AFTER CORRECTION
	
	

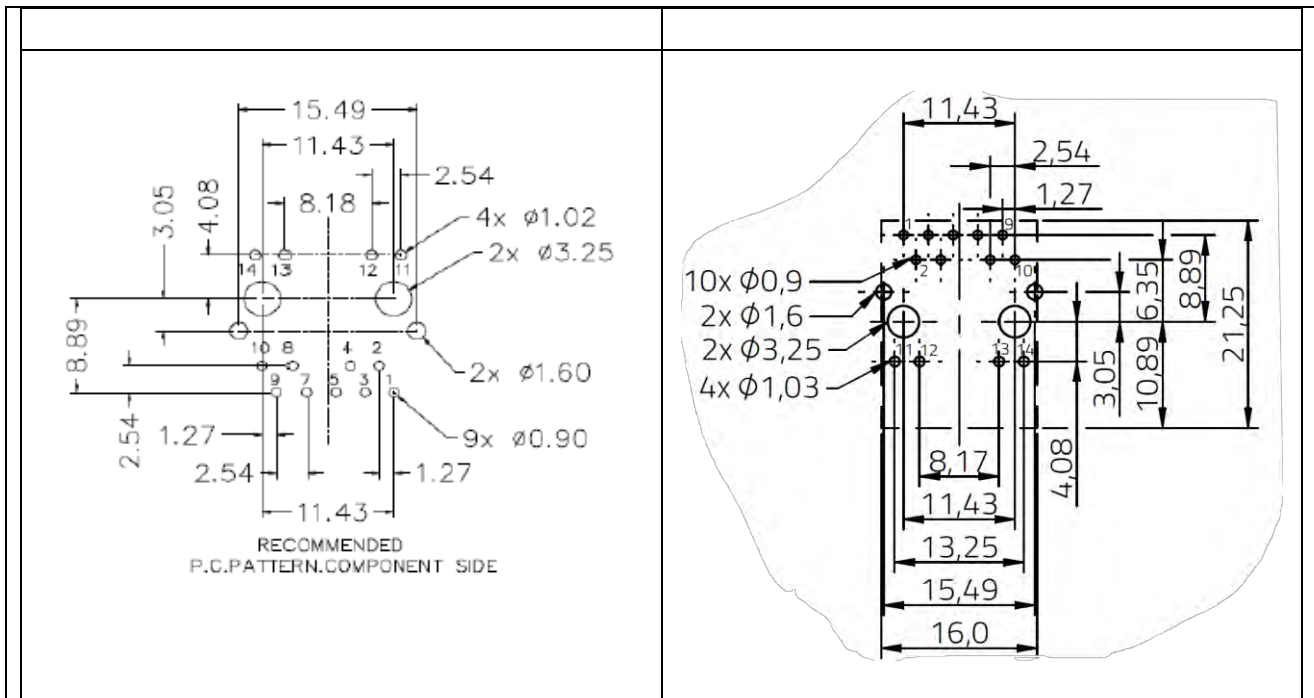
	
	
<p>Return Loss: 1-30 MHz 40 MHz 50 MHz 60-80 MHz</p>	<p>Return Loss: 1-30 MHz 30-60 MHz 60-80 MHz 80-100 MHz</p>
<p>Common Mode Rejection: 1-30 MHz 30-60 MHz 60-100 MHz</p>	<p>Common Mode Rejection: 1-30 MHz 30-60 MHz 60-100 MHz</p>
<p>Crosstalk: 60-100 MHz</p>	<p>Crosstalk: 1-60 MHz 60-100 MHz</p>
<p>No panel cutout</p>	



S17100055:

BEFORE CORRECTION	AFTER CORRECTION
No front view	
	

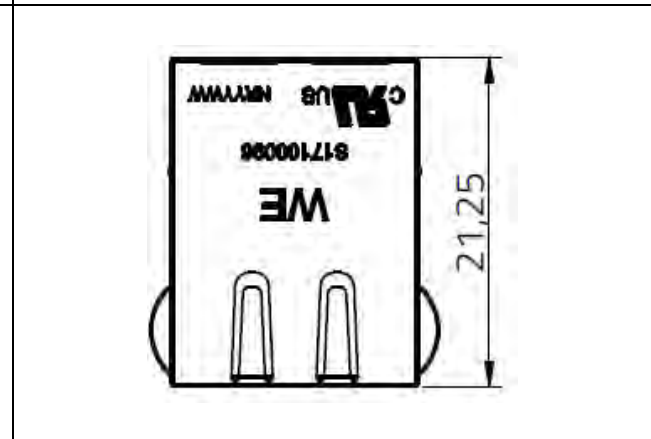
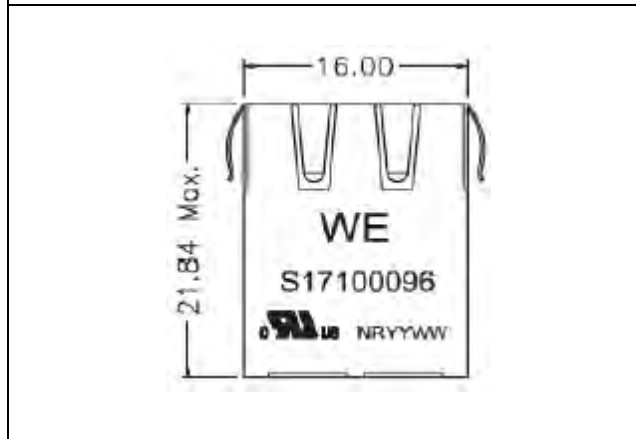
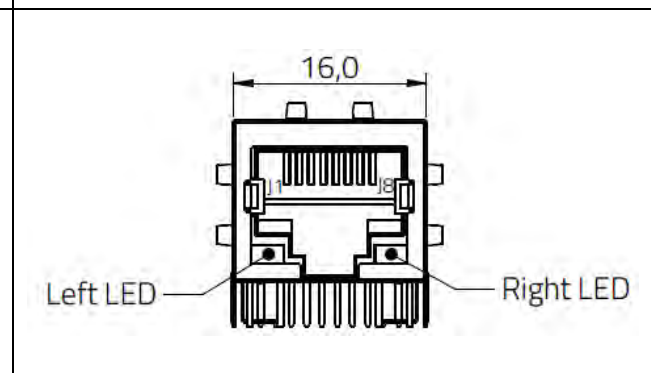
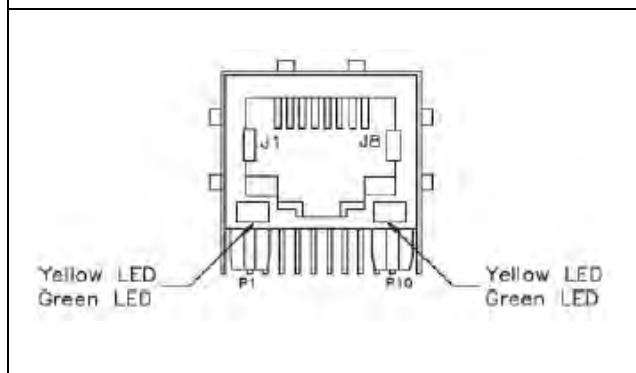
	
	
<p>Return Loss: 1-30 MHz 30-60 MHz 60-80 MHz 80-100 MHz</p>	<p>Return Loss: 1-30 MHz 30-60 MHz 60-80 MHz 80-100 MHz</p>
<p>Common Mode Rejection: 1-30 MHz 30-60 MHz 60-100 MHz</p>	<p>Common Mode Rejection: 1-30 MHz 30-60 MHz 60-100 MHz</p>
<p>Crosstalk: 1-60 MHz 60-100 MHz</p>	<p>Crosstalk: 1-60 MHz 60-100 MHz</p>
<p>No panel cutout</p>	

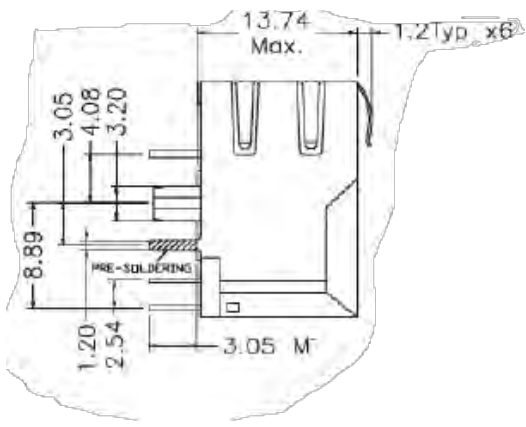
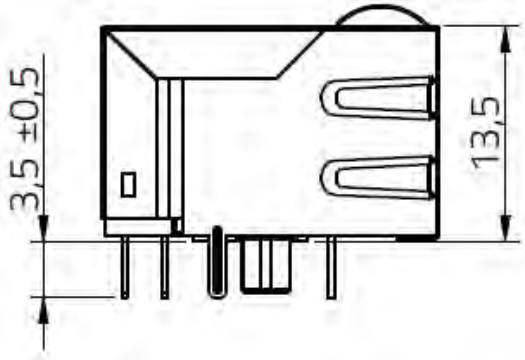
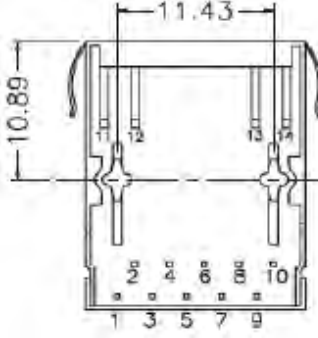
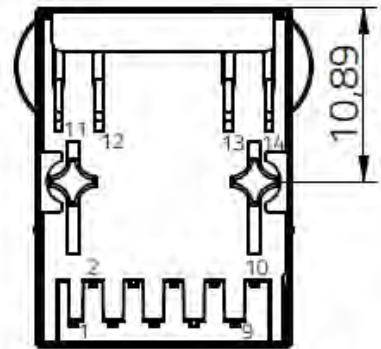


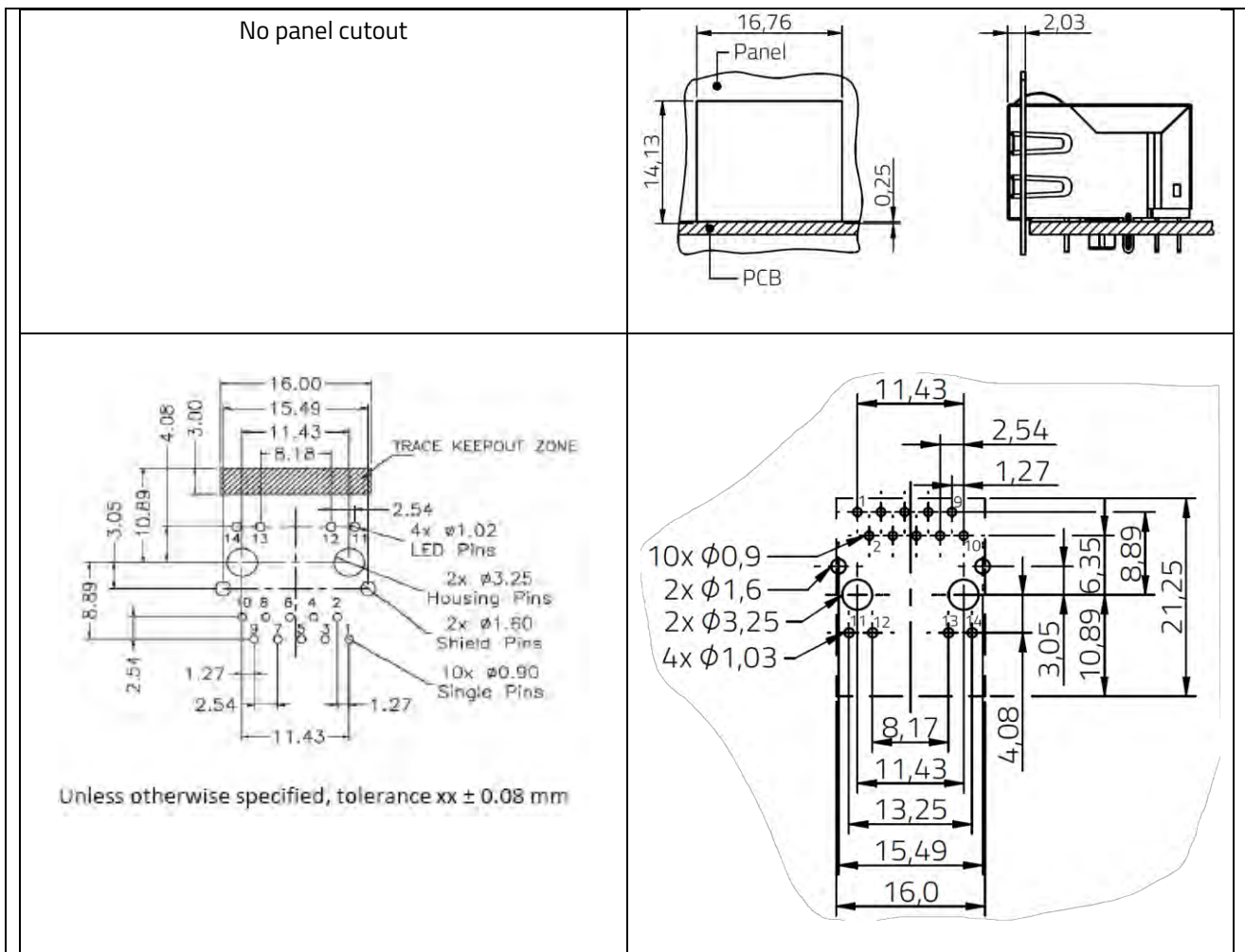
S17100096:

BEFORE CORRECTION

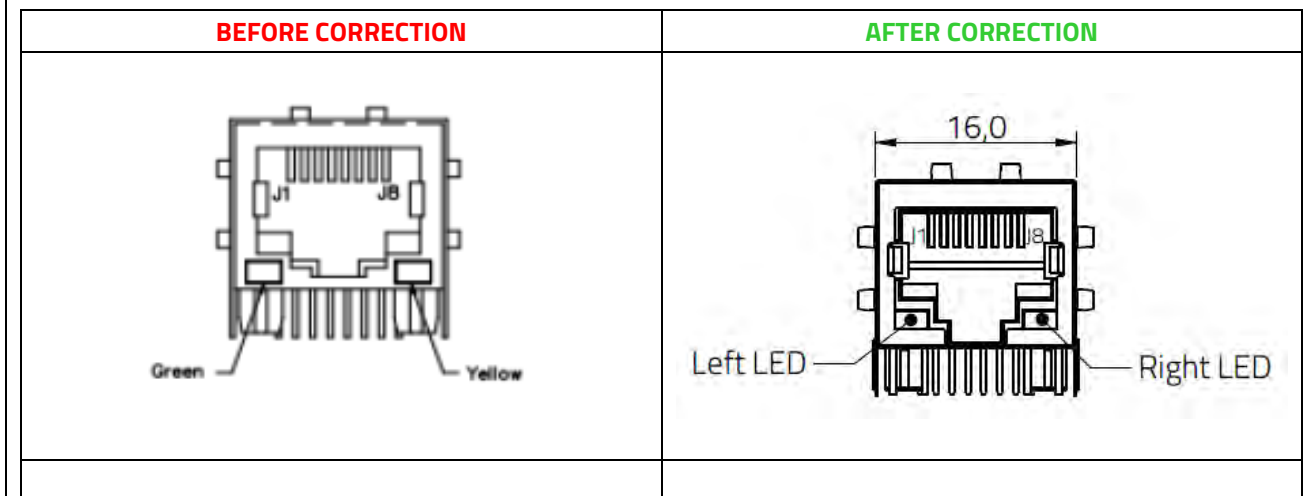
AFTER CORRECTION

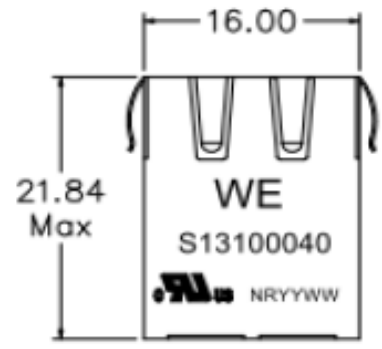
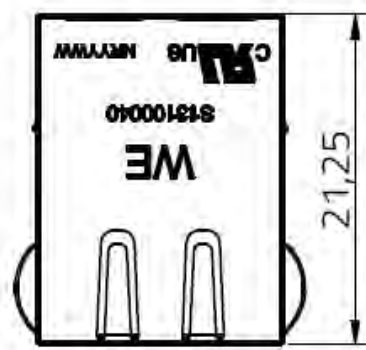
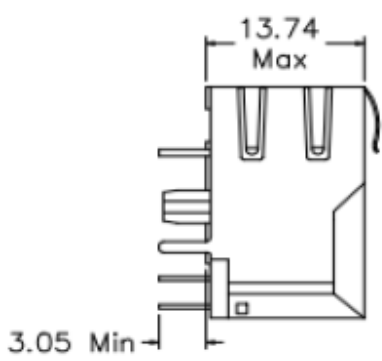
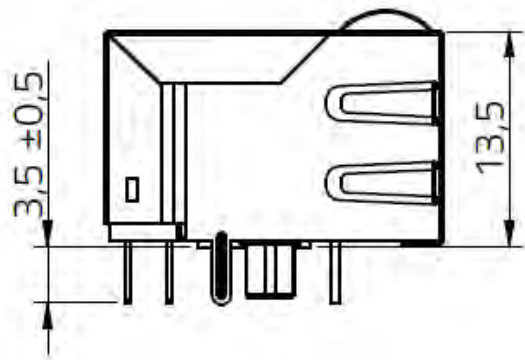
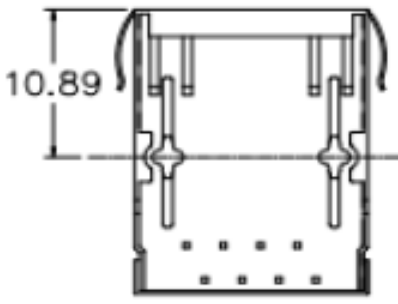
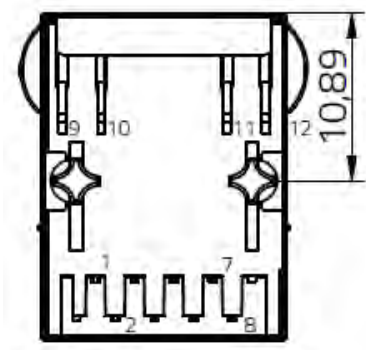


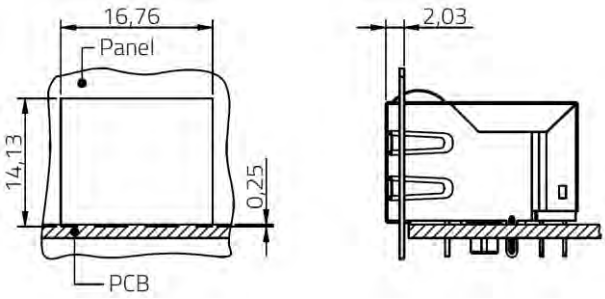
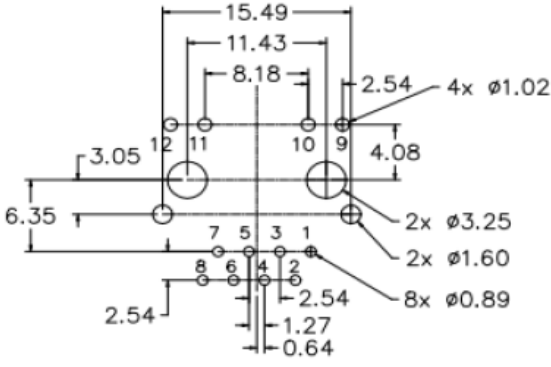
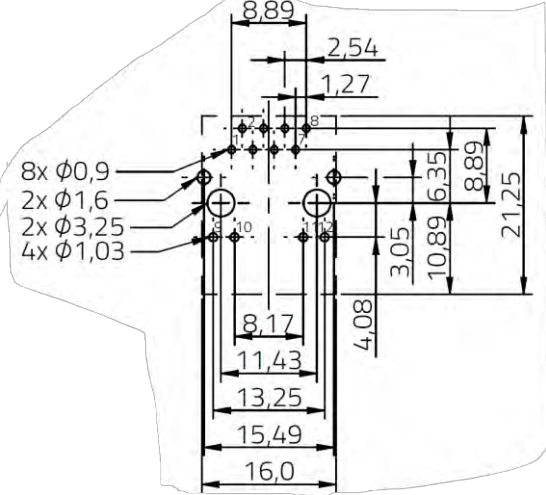
	
	
<p>Return Loss: 1-30 MHz 30-60 MHz 60-80 MHz 80-100 MHz</p>	<p>Return Loss: 1-30 MHz 30-60 MHz 60-80 MHz 80-100 MHz</p>
<p>Common Mode Rejection: 1-100 MHz</p>	<p>Common Mode Rejection: 1-30 MHz 30-60 MHz 60-100 MHz</p>
<p>Crosstalk: 1-100 MHz</p>	<p>Crosstalk: 1-60 MHz 60-100 MHz</p>



S13100040:



	
	
	
<p>Return Loss: 1-10 MHz 10-30 MHz 30-60 MHz 60-80 MHz</p>	<p>Return Loss: 1-30 MHz 30-60 MHz 60-80 MHz 80-100 MHz</p>

<p>Common Mode Rejection: 1-100 MHz</p>	<p>Common Mode Rejection: 1-30 MHz 30-60 MHz 60-100 MHz</p>
<p>Crosstalk: 1-100 MHz</p>	<p>Crosstalk: 1-60 MHz 60-100 MHz</p>
<p>No panel cutout</p>	
 <p>RECOMMENDED P.C.PATTERN.COMPONENT SIDE</p>	



Affected P/Ns:

74990100013	74990111211	7499011213A	7499111424	74992111211	S14100074
74990100040	74990111215	7499011215	7499111440A	7499211121A	S14100137
7499010004A	74990111215A	7499011215A	7499111441A	7499211122A	S14100141
74990101211	7499011121A	7499011216A	7499111443	7499211123	S15100058
7499010211A	7499011122A	7499011222A	7499111446	7499211123A	S16100001
7499010213	7499011125	7499011223A	7499210121	7499211220	S16100013
7499011121	7499011127	7499011444A	74992101211	7499211230	S16100099
7499010441	7499011211A	7499012000	7499210121A	7499211260	S17100003
74990110013	74990112120	7499110122	7499210122	7499410213	S17100055
7499011001A	74990112121	7499111001A	7499210211	7499410420	S17100096
7499011002A	74990112123	7499111121A	7499210213	S13100040	S18100064
74990110031	74990112124	7499111213	7499211002A	S13100049	S19100060
7499011003A	7499011212A	7499111423	7499211121	S20100137	

Reliability / Qualification Summary:

The following test were performed:

- Thermal shock according to MIL-STD-202-107
- Vibration according to MIL-STD-202-204
- Mating & unmating according to EIA-364-13T
- Durability according to EIA-364-09C
- Moisture resistance according to MIL-STD-202-106
- Salt spray according to EIA-354-26B