



Features:

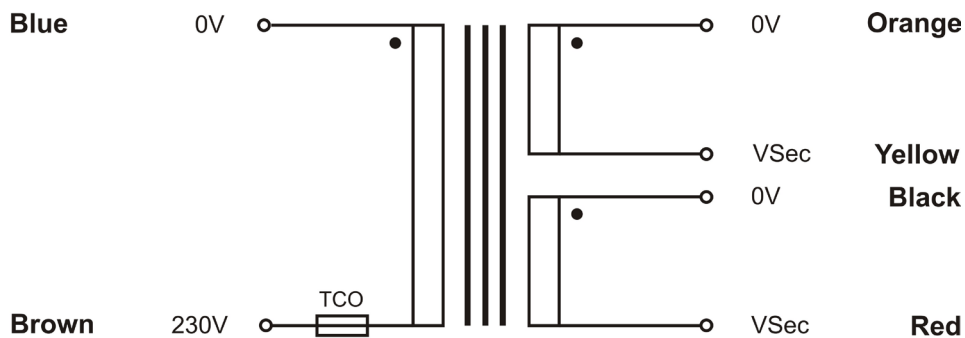
- UL Approved
- High Quality Open Style Toroidal Transformer
- Single Primary/ Dual Secondary windings
- Very low level radiated magnetic field
- Supplied with mounting Kit
- 100% electrical and flash tested.
- Thermal Fuse on Primary.
- Compliant Standards, EN61558, EN62368, UL, C-UL, CE and UKCA.



Description

High quality toroidal transformer, VTX-146-xxx-1xx, manufactured with single primary and dual secondary windings to strict quality control in accordance with EN61558 and EN62368, UL, C-UL and CE. Supplied with mounting kit. The range covers power ratings from 15 to 1000 VA, with alternative versions available upon request. The toroidals are widely used in industrial power, home appliances, instrumentation, communication and civil applications.

Schematic



Lead Length: 150mm stripped and tinned ends

General Specifications

Input Voltage:

230V (200-264V) @ 50/60Hz

Standards:

Compliant to: EN61558, EN62368, UL, C-UL, CE, UKCA, RoHS.

Terminations:

Primary: 150mm long, flexible, thermal fused, double insulated wire UL 1672, 300V, 5mm tinned ends.

Secondary: 150mm long, insulated copper conductors UL 1015, 600V, 5mm tinned ends.

Physical Dimensions:

See drawing and selection table.

Temperature Class:

Fused temperature of failure (Tf): 130 ° C
 Winding wire: ANSI Type: MW30 Class H (180 ° C)
 Insulation between input & output: Class B (130 ° C)
 Connection lead insulation: Class A (105 ° C)

Mounting Kit:

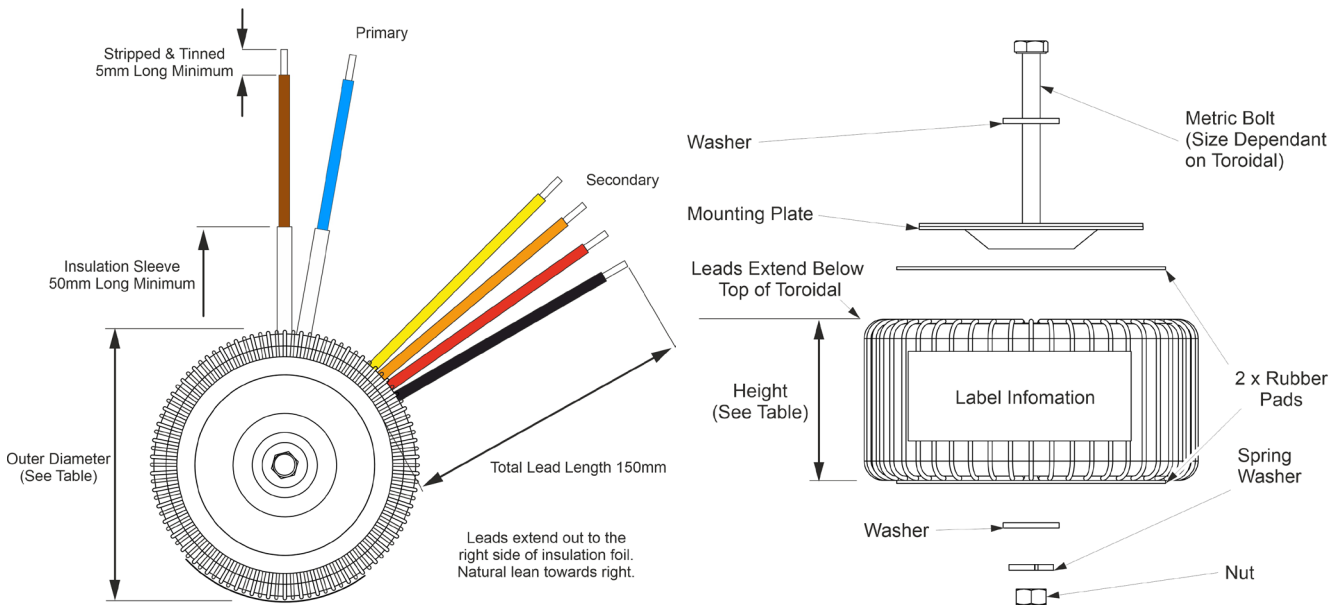
- Metal Mounting Plate
- 2 x Rubber Pads
- Nut and Bolt
- 2 x Washers & Spring Washer



Please contact Vigortronix for any enquiries. Products can be altered to suit custom requirements. The information contained in this document is subject to change without notice.



Assembly Drawing



Figures in the table are nominal.

Selection Guide								
VA Rating	Part No	Input Voltage (Vac)	Output Voltage (Vac)	Output Current (A)	Regulation (Typ. %)	Temp Rise (°C)	Height x Dia. (mm)	Weight (Kg)
15	VTX-146-015-106	230	2 x 6	1.25	16	26	33 x 65	0.33
15	VTX-146-015-109	230	2 x 9	0.83	16	26	33 x 65	0.33
15	VTX-146-015-112	230	2 x 12	0.63	16	26	33 x 65	0.33
15	VTX-146-015-115	230	2 x 15	0.5	16	26	33 x 65	0.33
15	VTX-146-015-118	230	2 x 18	0.42	16	26	33 x 65	0.33
15	VTX-146-015-124	230	2 x 24	0.32	16	26	33 x 65	0.33
15	VTX-146-015-125	230	2 X 25	0.31	16	26	33 X 65	0.33
30	VTX-146-030-106	230	2 x 6	2.5	14	40	32 x 74	0.45
30	VTX-146-030-109	230	2 x 9	1.67	14	40	32 x 74	0.45
30	VTX-146-030-112	230	2 x 12	1.25	14	40	32 x 74	0.45
30	VTX-146-030-115	230	2 x 15	1	14	40	32 x 74	0.45
30	VTX-146-030-118	230	2 x 18	0.83	14	40	32 x 74	0.45
30	VTX-146-030-124	230	2 x 24	0.625	14	40	32 x 74	0.45
30	VTX-146-030-125	230	2 x 25	0.6	14	40	32 x 74	0.45

Please contact Vigortronix for any enquiries. Products can be altered to suit custom requirements. The information contained in this document is subject to change without notice.



VA Rating	Part No	Input Voltage (Vac)	Output Voltage (Vac)	Output Current (A)	Regulation (Typ. %)	Temp Rise (°C)	Height x Dia. (mm)	Weight (Kg)
50	VTX-146-050-106	230	2 x 6	4.17	14	42	33 x 82	0.60
50	VTX-146-050-109	230	2 x 9	2.78	14	42	33 x 82	0.60
50	VTX-146-050-112	230	2 x 12	2.08	14	42	33 x 82	0.60
50	VTX-146-050-115	230	2 x 15	1.67	14	42	33 x 82	0.60
50	VTX-146-050-118	230	2 x 18	1.39	14	42	33 x 82	0.60
50	VTX-146-050-124	230	2 x 24	1.04	14	42	33 x 82	0.60
50	VTX-146-050-125	230	2 x 25	1	14	42	33 x 82	0.60
50	VTX-146-050-155	230	2 x 55	0.45	14	42	33 x 82	0.60
80	VTX-146-080-109	230	2 x 9	4.44	11	50	40 x 90	1
80	VTX-146-080-112	230	2 x 12	3.33	11	50	40 x 90	1
80	VTX-146-080-115	230	2 x 15	2.67	11	50	40 x 90	1
80	VTX-146-080-118	230	2 x 18	2.22	11	50	40 x 90	1
80	VTX-146-080-124	230	2 x 24	2.5	11	50	40 x 90	1
80	VTX-146-080-125	230	2 X 25	1.6	11	50	40 x 90	1
80	VTX-146-080-155	230	2 X 55	0.73	11	50	40 x 90	1
120	VTX-146-120-112	230	2 x 12	5	10	55	45 x 98	1.32
120	VTX-146-120-115	230	2 x 15	4	10	55	45 x 98	1.32
120	VTX-146-120-118	230	2 x 18	3.33	10	55	45 x 98	1.32
120	VTX-146-120-124	230	2 x 24	2.5	10	55	45 x 98	1.32
120	VTX-146-120-125	230	2 x 25	2.4	10	55	45 x 98	1.32
120	VTX-146-120-155	230	2 x 55	1.09	10	55	45 x 98	1.32
160	VTX-146-160-112	230	2 x 12	6.67	8	55	46 x 105	1.6
160	VTX-146-160-115	230	2 x 15	5.33	8	55	46 x 105	1.6
160	VTX-146-160-118	230	2 x 18	4.44	8	55	46 x 105	1.6
160	VTX-146-160-124	230	2 x 24	3.33	8	55	46 x 105	1.6
160	VTX-146-160-125	230	2 x 25	3.2	8	55	46 x 105	1.6
160	VTX-146-160-130	230	2 x 30	2.67	8	55	46 x 105	1.6
160	VTX-146-160-155	230	2 x 55	1.45	8	55	46 x 105	1.6
225	VTX-146-225-112	230	2 x 12	9.38	7	60	50 x 110	2.2
225	VTX-146-225-115	230	2 x 15	7.5	7	60	50 x 110	2.2
225	VTX-146-225-118	230	2 x 18	6.3	7	60	50 x 110	2.2
225	VTX-146-225-124	230	2 x 24	4.68	7	60	50 x 110	2.2
225	VTX-146-225-125	230	2 x 25	4.5	7	60	50 x 110	2.2
225	VTX-146-225-130	230	2 x 30	3.75	7	60	50 x 110	2.2
225	VTX-146-225-155	230	2 x 55	2.05	7	60	50 x 110	2.2

Please contact Vigortronix for any enquiries. Products can be altered to suit custom requirements.
The information contained in this document is subject to change without notice.

VA Rating	Part No	Input Voltage (Vac)	Output Voltage (Vac)	Output Current (A)	Regulation (Typ. %)	Temp Rise (°C)	Height x Dia. (mm)	Weight (Kg)
250	VTX-146-250-112	230	2 x 12	10.42	7	60	50 x 119	2.5
250	VTX-146-250-115	230	2 x 15	8.33	7	60	50 x 119	2.5
250	VTX-146-250-118	230	2 x 18	6.95	7	60	50 x 119	2.5
250	VTX-146-250-124	230	2 x 24	5.2	7	60	50 x 119	2.5
250	VTX-146-250-125	230	2 x 25	5	7	60	50 x 119	2.5
250	VTX-146-250-130	230	2 x 30	4.16	7	60	50 x 119	2.5
250	VTX-146-250-155	230	2 x 55	2.27	7	60	50 x 119	2.5
300	VTX-146-300-124	230	2 x 24	6.25	6	60	55 x 125	3.0
300	VTX-146-300-125	230	2 x 25	6	6	60	55 x 125	3.0
300	VTX-146-300-130	230	2 x 30	5	6	60	55 x 125	3.0
300	VTX-146-300-135	230	2 x 35	4.28	6	60	55x 125	3.0
300	VTX-146-300-155	230	2 X 55	2.73	6	60	55 x 125	3.0
500	VTX-146-500-124	230	2 x 24	10.4	6	68	61 x 135	4.3
500	VTX-146-500-125	230	2 x 25	10	6	68	61 x 135	4.3
500	VTX-146-500-130	230	2 x 30	8.33	6	68	61 x 135	4.3
500	VTX-146-500-135	230	2 x 35	7.14	6	68	61 x 135	4.3
500	VTX-146-500-140	230	2 x 40	6.25	6	68	61 x 138	4.3
500	VTX-146-500-145	230	2 x 45	5.56	6	68	61 x 138	4.3
500	VTX-146-500-150	230	2 x 50	5	6	68	61 x 138	4.3
500	VTX-146-500-155	230	2 x 55	4.55	6	68	61 x 138	4.3
625	VTX-146-625-124	230	2 x 24	13	5	70	72 x 144	5.2
625	VTX-146-625-125	230	2 x 25	12.5	5	70	72 x 144	5.2
625	VTX-146-625-140	230	2 x 40	7.8	5	70	72 x 144	5.2
625	VTX-146-625-145	230	2 X 45	6.95	5	70	72 x 144	5.2
625	VTX-146-625-150	230	2 x 50	6.25	5	70	72 x 144	5.2
625	VTX-146-625-155	230	2 x 55	5.68	5	70	72 x 144	5.2
800	VTX-146-800-125	230	2 x 25	16	5	72	65 x 163	6.3
800	VTX-146-800-140	230	2 x 40	10	5	72	65 x 163	6.3
800	VTX-146-800-145	230	2 x 45	8.88	5	72	65 x 163	6.3
800	VTX-146-800-150	230	2 x 50	8	5	72	65 x 163	6.3
800	VTX-146-800-155	230	2 x 55	7.27	5	72	65 x 163	6.3
1000	VTX-146-1000-125	230	2 x 25	20	4	75	71 x 167	7.48
1000	VTX-146-1000-140	230	2 x 40	12.5	4	75	71 x 167	7.48
1000	VTX-146-1000-145	230	2 x 45	11.11	4	75	71 x 167	7.48
1000	VTX-146-1000-150	230	2 x 50	10	4	75	71 x 167	7.48
1000	VTX-146-1000-155	230	2 x 55	9.09	4	75	71 x 167	7.48

Please contact Vigortronix for any enquiries. Products can be altered to suit custom requirements.
The information contained in this document is subject to change without notice.