

# 7kW EV Charging Cables

**multicomp** PRO

**RoHS  
Compliant**

**TUV Approved**

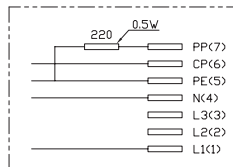
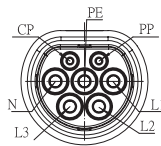
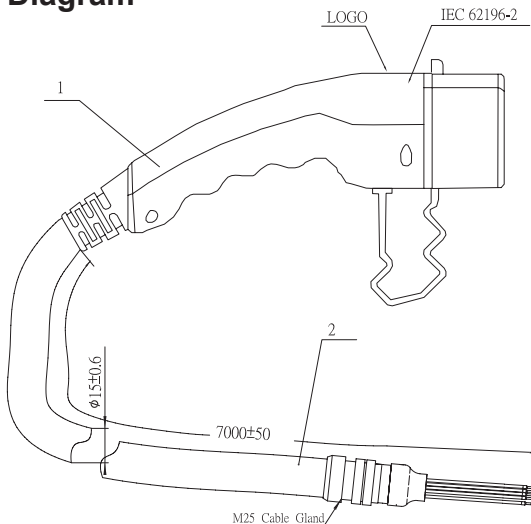


## Specifications

Rated Current	: 32A, 1P
Rated Voltage	: 220V AC to 250V AC
Insulation Resistance	: >1000MΩ (DC500V)
Contact Resistance	: 0.5mΩ Max.
Withstand Voltage	: 2000V
Fire Rating	: UL94 V-0
Insertion and Extraction Force	: 80N<F<100N
Protection Level	: IP54
Housing	: Thermoplastic Plastics
Conduct	: Copper Silver Coating
Environment	: -30°C to +50°C

**Note:** Products must be installed by a qualified electrician

## Diagram



Function	32A, 220V to 250V	
L1 (1)	6mm <sup>2</sup>	Brown
L2 (2)		
L3 (3)		
N (4)	6mm <sup>2</sup>	Blue
PE (5)		Yellow-Green
CP (6)	0.5mm <sup>2</sup>	Black
PP (7)		White

No.	Description	Material	Colour	Qty.
1	EV Coupler	Type 2 Female 32A	Black	1
2	Charging Cable	EVC 3×6mm <sup>2</sup> + 2×0.5mm <sup>2</sup>		

## Part Number Table

Description	Part Number
EV Charging Cable, 7kW, Female to Free End, 32A, 1P, 5m	MP006848
EV Charging Cable, 7kW, Female to Free End, 32A, 1P, 7m	MP006849

Dimensions : Millimetres

**Important Notice :** This data sheet and its contents (the "Information") belong to the members of the AVNET group of companies (the "Group") or are licensed to it. No licence is granted for the use of it other than for information purposes in connection with the products to which it relates. No licence of any intellectual property rights is granted. The Information is subject to change without notice and replaces all data sheets previously supplied. The Information supplied is believed to be accurate but the Group assumes no responsibility for its accuracy or completeness, any error in or omission from it or for any use made of it. Users of this data sheet should check for themselves the Information and the suitability of the products for their purpose and not make any assumptions based on information included or omitted. Liability for loss or damage resulting from any reliance on the Information or use of it (including liability resulting from negligence or where the Group was aware of the possibility of such loss or damage arising) is excluded. This will not operate to limit or restrict the Group's liability for death or personal injury resulting from its negligence. Multicomp Pro is the registered trademark of Premier Farnell Limited 2019.

Newark.com/multicomp-pro  
Farnell.com/multicomp-pro  
sg.element14.com/b/multicomp-pro

**multicomp** PRO